

ESML-301NL ESML-302NL ESML-303NL LED SURFACE MOUNT LIGHT

PRODUCT DESCRIPTION

This full cut-off wall pack is elegant as it is functional. With high performance LEDs and long lasting driver, this fixture provides effective lighting all around. It can be used around factories, restaurants, shopping centers. etc.

FEATURES

LISTING: UL and cUL listed for wet locations

HOUSING: Die-cast aluminum body

LEDS: New generation LED

FINISH: UV stabilized powder coated finish

OPTIONS:

Finish: Bronze. Color option with adder

OPTICAL DISTRIBUTION: TYPE III /TYPE IV /TYPE V



ESML-301NL



ESML-302NL



ESML-303NL



Available

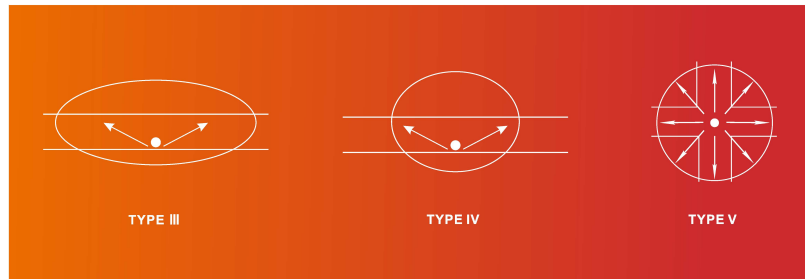


Optional 8W EM with Stainless Steel test button

Specifically designed Type III, IV, and V lenses allow architects maximum freedom to design any layout without restraint. These optics are engineered for maximum light output



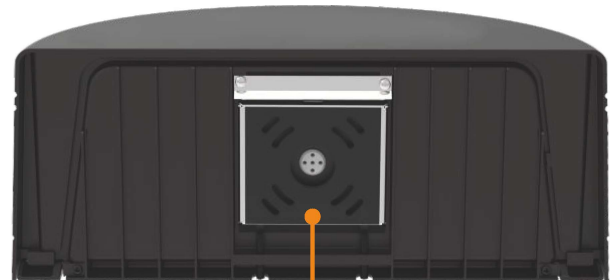
Optional microwave sensor for energy saving and control



TYPE III

TYPE IV

TYPE V



Included Quick Mount plate for installation.

OPERATING INSTRUCTIONS

3 WATTAGE SELECTABLE

55/40/25W

3 CCT SELECTABLE

5000K/4000K/3000K



55W

40W

25W



5000K

4000K

3000K



PERFORMANCE DATA

Model No.	ESML-301NL	ESML-302NL	ESML-303NL
Nominal Wattage	25/40/55W	25/40/55W	25/40/55W
Lumens*	7795 lm*	7795 lm*	7795 lm*
Efficacy*	155 lm/W*	155 lm/W*	155 lm/W*

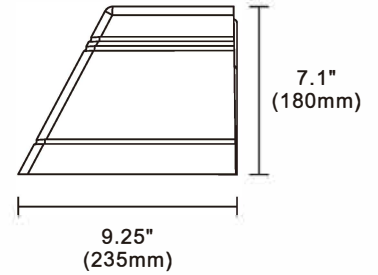
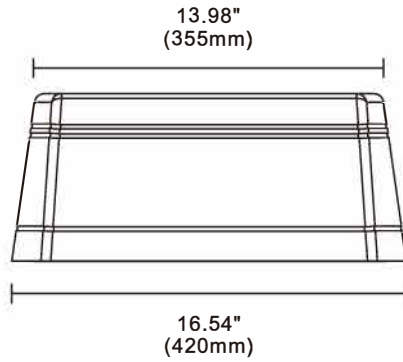
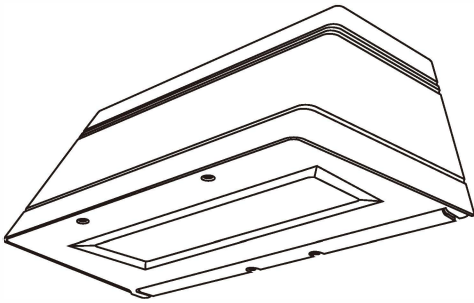
*Lumen Output and Efficacy are based on the highest wattage at 4000K

SPECIFICATION

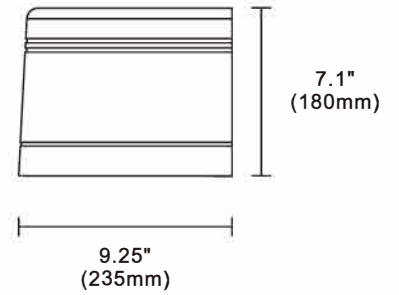
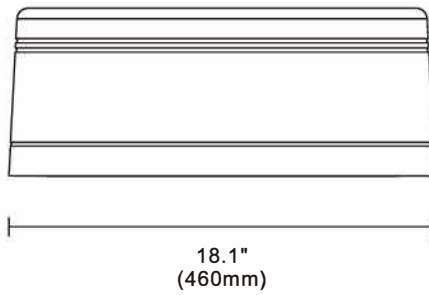
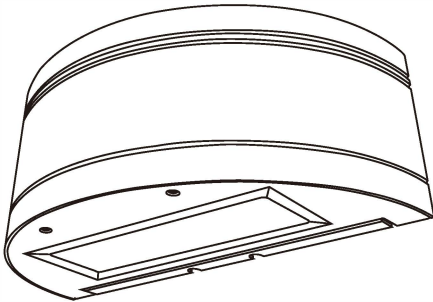
Example: ESML-30XNL

Model No.	ESML-301NL	ESML-302NL	ESML-303NL
Nominal Wattage	055=55W		
Input Voltage	UNV=120-277VAC		
CRI	8=80+		
Color Temp	TX=3000K / 4000K / 5000K		
Distribution	T3=TYPE III / T4=TYPE IV / T5=TYPE V		
Option	BLANK = No Sensor PC = Photocell MS = Microwave Sensor EM = Emergency Driver SS = 10KV Surge		
Finish	BN=Bronze		
Operating Temp	-40°C - +40°C		

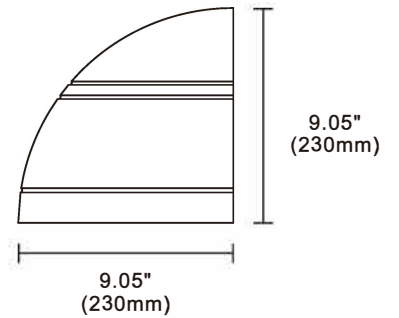
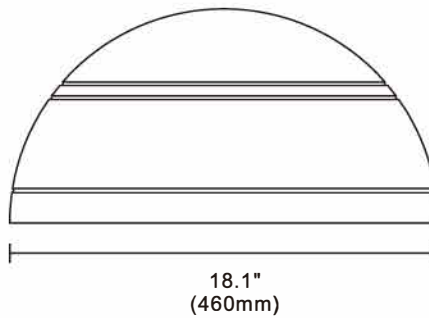
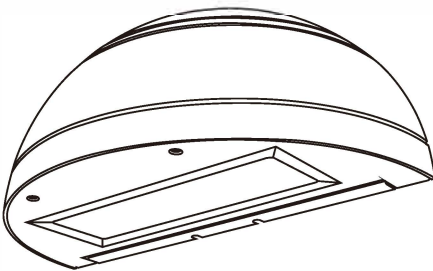
DIMENSIONS



ESML-301NL



ESML-302NL



ESML-303NL