

ESML-301N ESML-302N ESML-303N LED SURFACE MOUNT LIGHT

PRODUCT DESCRIPTION

This full cut-off wall pack is elegant as it is function: With high performance LEDs and long lasting drive this fixture provides effective lighting all around. It can be used around factories, restaurants, shopping centers, etc.

FEATURES

LISTING: UL and cUL listed for wet locations

HOUSING: Die-cast aluminum body

LEDS: New generation LED

FINISH: UV stabilized powder coated finish

OPTIONS:

Finish: Bronze. Color option with adder



ESML-301 N



ESML-302N



ESML-302N-U/D



ESML-303N

PERFORMANCE DATA

Model No.	ESML-301N	ESML-302N	ESML-302N-U/D	ESML-303N
Nominal Wattage	25/45/65W	25/45/65W	25/45/65W	25/45/65W
Lumens*	8183lm*	7993lm*	10258lm*	8003lm*
Efficacy*	125 lm/W*	123 lm/W*	157 lm/W*	124 lm/W*

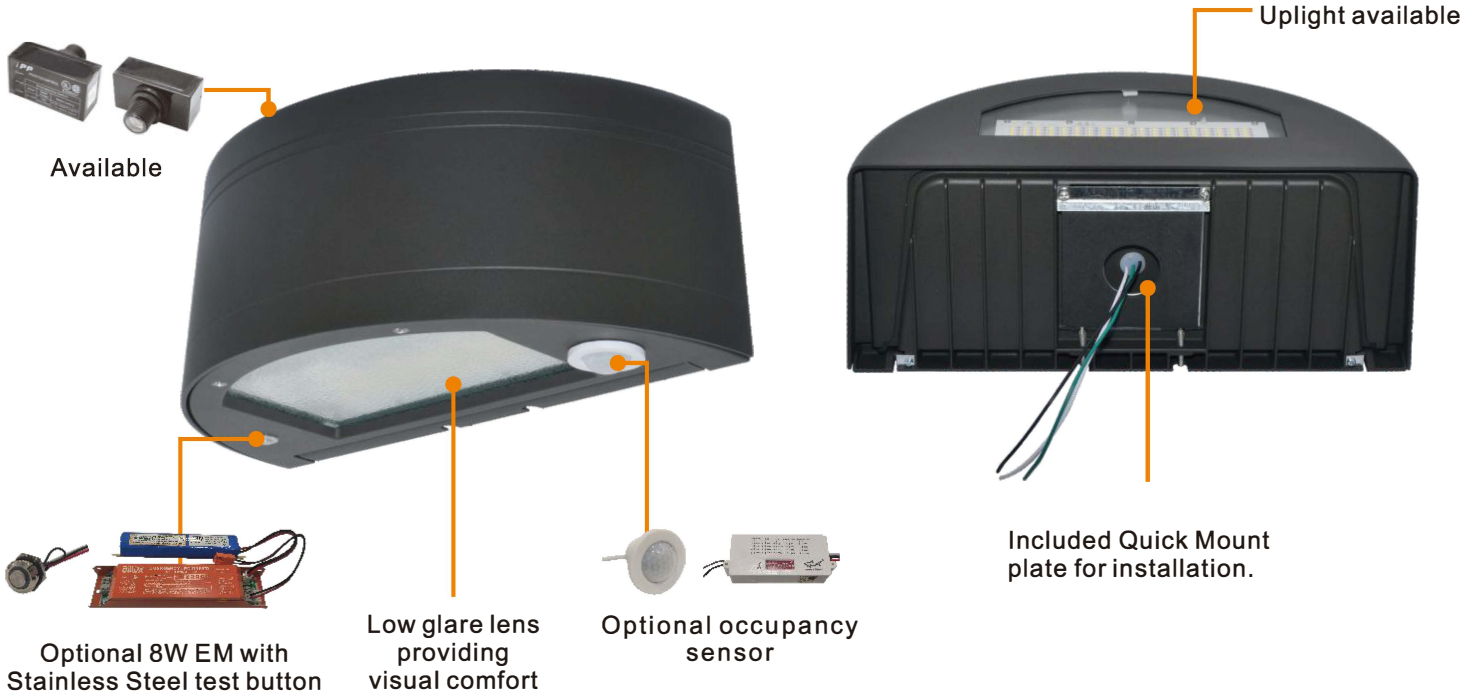
*Lumen Output and Efficacy are based on the highest wattage at 5000K

SPECIFICATION

Example: ESML-301VB065UNV7TXT3ST-XXXXXX

Model No.	ESML-301N	ESML-302N	ESML-302N-U/D	ESML-303N
Nominal Wattage	065=65W			
Input Voltage	UNV=120-277VAC			
CRI	7=70+			
Color Temp	TX=3000K/ 4000K/ 5000K			
Distribution	FT= Forward Throw / WT= Wide Throw			
Option	BLANK= No Sensor PC = Photocell OC = Occupancy Sensor EM= Emergency Driver SS= 10KV Surge			
Finish	BN=Bronze			
Operating Temp	-40°C - +40°C			

PRODUCT DESCRIPTION



OPERATING INSTRUCTIONS

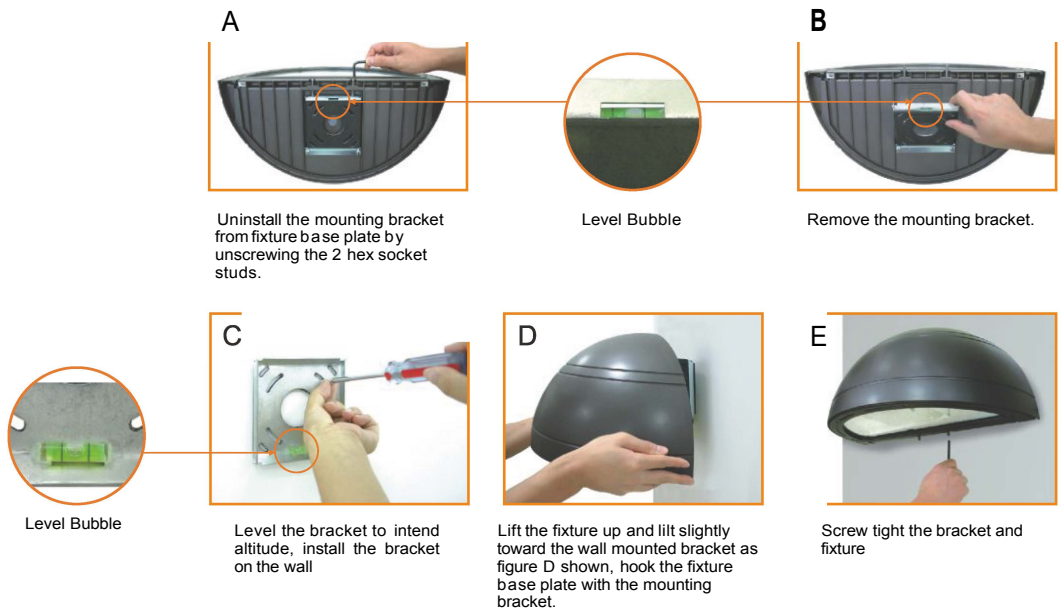
3 WATTAGE SELECTABLE 65 / 45 / 25W

3 CCT SELECTABLE 5000K / 4000K / 3000K



QUICK MOUNT GUIDE

Unlike other fixtures which require more than two people to install, our Quick Mount Bracket helps you to save time and money. With its light, small and user friendly, you can install this fixture easily with only one person in a half of the time. Additionally, you can check the leveling by using the integrated level bubble on the mounting bracket. In this competitive industry, we understand the importance of saving you labor cost and time.



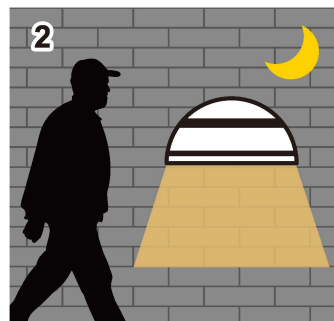


OCCUPANCY SENSOR INSTRUCTIONS

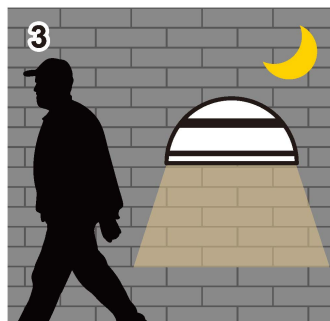
The Passive infrared occupancy sensor to achieve tri-level dimming control, for some areas that require a light change notice before switch off. It offers 3 levels of the light Control : 100%--dimming light (0,10%,30%,50%)--off; and 2 periods of selectable waiting time: motion hold-time and stand-by time. Selectable daylight threshold and choice of detection area.



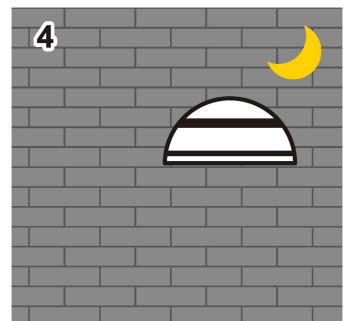
1 With sufficient natural light, the light does not switch on when presence detected.



2 When natural light is insufficient, the sensor automatically turns on the light if someone passes by.

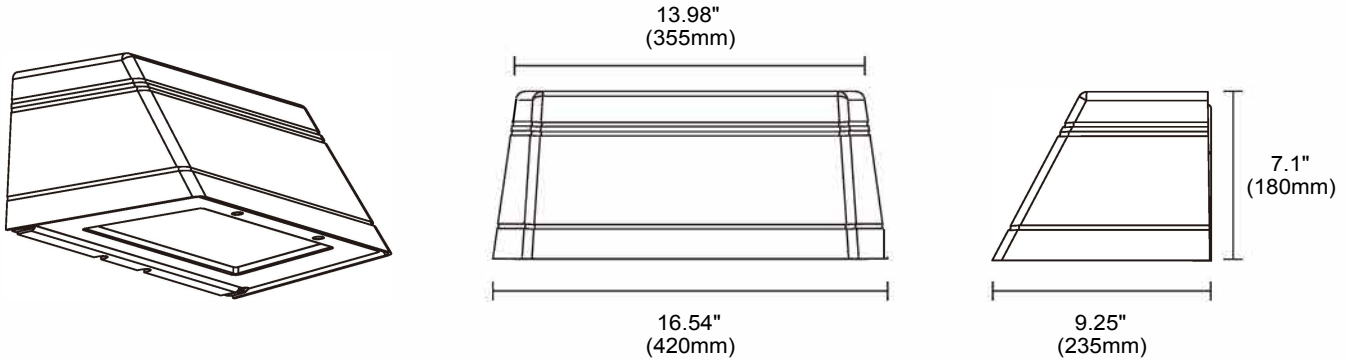


3 People left, light still dims to 0/10%/30%/50% (options) standby level after the hold time.

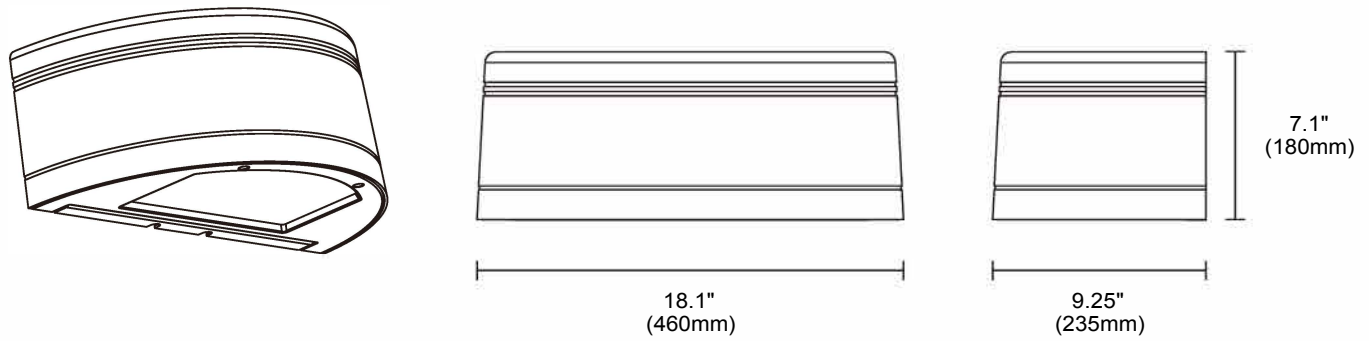


4 Light switches off automatically after after stand-by time elapsed

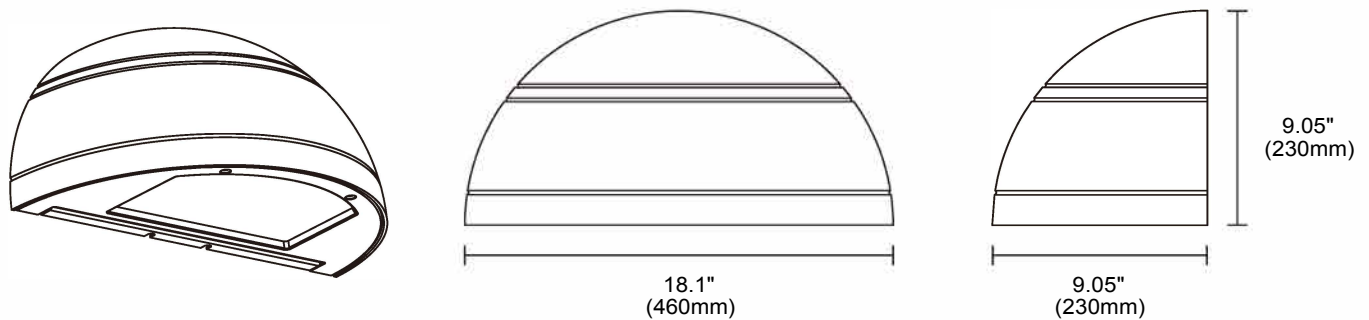
DIMENSIONS



ESML-301 N



ESML-302N & ESML-302N-U/D



ESML-303N