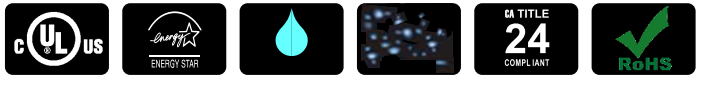


## EBRK-LED4-GR-ECO

### 4" LED ARCHITECTURAL RETROFIT

#### STANDARD



The 4" Architectural LED series are commercial-grade quality luminaires. These retrofit kits convert nearly any existing 4-inch incandescent, HID or CFL into LED fixtures. They are upgradeable to the latest and most advanced LED technology. Enjoy energy savings and maintenance-free service with 50,000 hours of life in typical commercial applications.

#### FEATURES

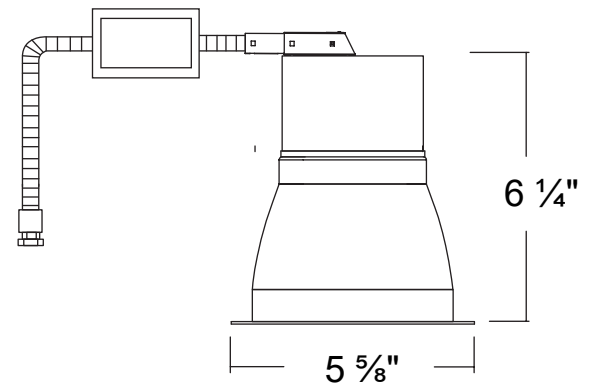
- Installs from below ceiling and secured by tension clips (clips NOT included with the retrofit).
- 21 Watts
- Available in 3000K.
- Conduit quick-connects.
- Consistent fixture-to-fixture color temperature within 3 MacAdam Ellipses.
- Integral heat sink conducts heat away from LED Light engine
- Driver is accessible from below the ceiling and can be upgraded to accommodate future technology improvements.
- Universal 120-277 AC voltage (50/60Hz)
- 0-10v dimming
- Color rendering index  $\geq 80$ .
- Long life LEDs - up to 50,000hours.
- Operation Temp.  $-30^{\circ}\text{C}\sim 40^{\circ}\text{C}$  ( $-22^{\circ}\text{F}\sim 104^{\circ}\text{F}$ ).



#### WARRANTY & LISTINGS

- cULus Listed.
- Energy Star listed.
- Suitable for wet locations (not suitable for coastal/salt water area).
- Suitable for damp locations.
- RoHS compliant.
- 5-year warranty of all electronics and housing.

#### DIMENSIONS



#### ORDERING INFORMATION MODEL - \_\_\_\_\_

Model	Color Temperature	Luminaire Lumens	Luminaire Watts	Lumens / Watt
EBRK-LED21ARC4-3K	3000k	1590	21	76