

## EHB44Q

EasyLED Bentley 16" LED Aisle Lighter



DesignLights Consortium™  
Qualified Luminaire:  
EHB44QK1X169[U H]5KG\*\*



## Standard

The LEPG EasyLED Bentley 16" Aisle Lighter is available with a choice of four lenses designed to replace HID lighting systems up to 400w MH. Typical applications are medium and high stack warehouse and cold storage facilities. Suitable for 16 to 30 foot mounting heights based on light level and uniformity requirements.

## Features

- **Housing:** Die Cast Aluminum Housing with External Heat Sinks for Cooler Operating Temperatures. Includes 4" Stem. Maximum Stem Length: 30 Feet
- **Listing & Ratings:** CSA: Listed for Damp Locations, ANSI/UL 1598, 8750. (Lens Gasket Use Required); IP65 Sealed LED Compartment.
- **Finish:** White Powdercoat Finish Over a Chromate Conversion Coating. Custom Colors Available Upon Request.
- **Lens:** Tempered Clear Flat Glass Lens, Polycarbonate Drop Lens, Acrylic Drop Lens, Acrylic Conical Lens.
- **Mounting Options:** Mount with Included 3/4" Die Cast Hook.
- **EasyLED LED:** Aluminum Boards
- **Wattage:** Array: 169w; System: 178.5w; (400w HID Equivalent)
- **Driver:** Electronic Driver, 120-277V, 50/60Hz or 347-480V, 50/60Hz; Less Than 20% THD and PF>0.90. Standard Internal Surge Protection 6kV. 0-10V Dimming Standard for a Dimming Range of 100% to 10%; Dimming Source Current is 150 Microamps.
- **Controls:** Fixtures Ordered with Factory-Installed Photocell or Motion Sensor Controls are Internally Wired for Switching and/or 1-10V Dimming Within the Housing. Remote Direct Wired Interface of 1-10V Dimming is Not Implied and May Not Be Available, Please Consult Factory. Fixtures are Tested with LEPG Controls and May Not Function Properly With Controls Supplied By Others. Fixtures are NOT Designed for Use with Line Voltage Dimmers.
- **Warranty:** 5-Year Warranty for -40°C to +50°C Environment.
- See Page 3 for Projected Lumen Maintenance Table.

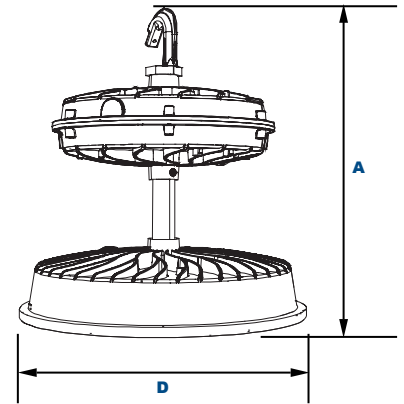


Microwave Sensor  
Factory Installed "M3"  
Option (120-277V Only)



## Dimensions

Diameter (D) 16 1/4" (413mm)  
Height (A) 16 1/4" (413mm)



## Ordering Information

Product NumVer: EHB44Q      M.      O:      W:      D:      CCT.      L:      C:      Op.:

Model	Optics	Wattage	Driver	CCT	Lens	Color	Options
EHB44Q= EasyLED Bentley 16" LED Aisle Lighter	K=Aisle Optics	1X169=169w	U=120-277V H=347-480V	5K=5000K	G=Clear Flat Glass Lens C=Acrylic Conical Lens D=Acrylic Drop Lens B=Polycarbonate Drop Lens	W=White C=Custom (Consult Factory)	<b>SF</b> =Single Fuse <b>DF</b> =Double Fuse <b>SP</b> =Surge Protection <b>M3</b> = Microwave Sensor for Mounting Heights of 20 Feet or Above. (120-277V Only) <b>CP6120W</b> =6' White Cord, 3 Wire, L5-15P Twist-Lock Plug <b>CP6277W</b> =6' White Cord, 3 Wire, L7-15P Twist-Lock Plug <b>C6600B</b> =6' Black Cord, STW, 600VAC, 3 Wire, Leads <b>C6600W</b> =6' White Cord, STW, 600VAC, 3 Wire, Leads <b>C4600B</b> =4' Black Cord, SEOWW, 600VAC, 3 Wire, Leads <b>BU</b> =Battery Backup

Job Name: \_\_\_\_\_

Type: \_\_\_\_\_

Part #: \_\_\_\_\_

Notes: \_\_\_\_\_

## Lens Options



EHB44Q Shown with Tempered Clear Flat Glass Lens (G)



EHB44Q Shown with Acrylic Conical Lens (C)

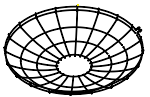


EHB44Q Shown with Acrylic Drop Lens (D)



EHB44Q Shown with Polycarbonate Drop Lens (B)

## Accessories & Replacement Parts



HB44WG



P17116

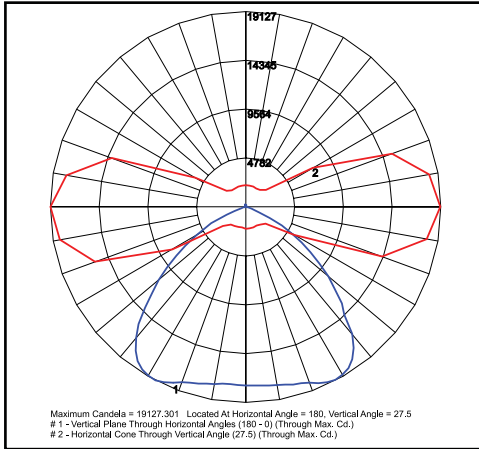
### Accessories (Order Separately, Field Installed)

HB44WG	Wire Guard, Fits HB44, for Use with Flat Glass Lenses.
--------	--

### Replacement Parts (Order Separately, Field Installed)

HBGL16	16" Tempered Clear Flat Glass Lens
HBCL16	16" LexaLite Clear Prismatic Acrylic Conical Lens. UV Stabilized, High-Efficiency Operation in General Applications.
HBDL16	16" LexaLite Clear Prismatic Acrylic Drop Lens. UV Stabilized, High-Efficiency Operation in General Applications.
HBPC16	16" Polycarbonate Drop Lens.
HBCB16	16" Clampband
CPMH1	Die Cast Hook with 3/4" NPS Threads
P17116	Microwave Sensor for Mounting Heights of 20 Feet or Above (120-277V Only).

## Photometric Data



9HB44QK1X169U5KG -  
Clear Glass Lens

## Photometric Performance

LED Board Watts	Drive Current (mA)	Input Watts	Spacing Criteria	5000 CCT 80 CRI	
				Lumens	LPW
EasyLED 169w with Clear Glass (G)	525	179	1.54	18,926	106

## Projected Lumen Maintenance

Data shown for 5000 CCT		Compare to MH				
TM-21-11	Input Watts	Initial	25,000 Hrs	50,000 Hrs	100,000 Hrs	Calculated L70@ 25°C
L70 Lumen Maintenance @ 25°C / 77°F	179	1.00	0.98	0.95	0.90	302,000
TM-21-11	Input Watts	Initial	25,000 Hrs	50,000 Hrs	100,000 Hrs	Calculated L70@ 50°C
L70 Lumen Maintenance @ 50°C / 122°F	179	1.00	0.94	0.88	0.76	124,000
TM-21-11	Input Watts	Initial	25,000 Hrs	50,000 Hrs	100,000 Hrs	Calculated L80@ 40°C
L80 Lumen Maintenance @ 40°C / 104°F	179	1.00	0.96	0.91	0.83	117,000

**NOTES:**

1. Projected per IESNA TM-21-11. Data references the extrapolated performance projections for the 525mA base model in a 25°C ambient, based on 10,000 hours of LED testing per IESNA LM-80-08.
2. Compare to MH box indicates suggested Light Loss Factor (LLF) to be used when comparing to Metal Halide (MH) systems.