

Job Name: _____
 Type: _____
 Part #: _____
 Notes: _____

EJL-403C/ EJL-404C

Button & Pencil Photocells (120-277V)



Standard

Light-sensitive photocell switches luminaires off when ambient light is present, and switches them on when ambient light is absent. Ideal for use with outdoor luminaires requiring photoelectric automation. Rain-tight for outdoor use. Preset time delay prevents unintended switching from flashes due to headlights, lightning and other transitory lighting sources.

Features

- Switches light sources including LED, incandescent, HID and fluorescent.
- Heavy-duty, rain-proof, polycarbonate housing and lens.
- Photocell is 1/2" diameter CdS (cadmium-sulfide).
- Universal 120-277 AC voltage (50-60Hz) is standard.
- Preset 3 to 10 second time-delay prevents unintended switching due to momentary flashes of light.
- Power consumption: 2 watts.
- Switches light source on when ambient lighting levels decrease to 1-2 foot-candles.
- Switches light source off when ambient lighting levels increase to 3-8 foot-candles.

Warranty & Listings

- cULus listed.
- Suitable for ambient temperatures ranging from -40°C to 70°C / -40°F to 158°F, 99% relative humidity.
- 5-year warranty on all electronics and housing.

Ordering Information

Product Number: EJL-403C/ EJL-404C M: T: P(W): S: RL(TL): RL(BL): MN: PL:

Model	Type	Power (W)	Swivel	Rated Load (Tungsten Lamp)	Rated Load (Ballasted Lamp)	Mounting Nipple	Power Leads
EJL-403C	Button	2	None	500W	850VA	5/8" threaded, neoprene gasket & plastic nut	18 AWG, 150 °C, 6"
EJL-404C	Pencil	2	0-200°	500W	850VA	1/2" (NPS) threaded conduit & zinc alloy nut	16 AWG, 150 °C, 6"

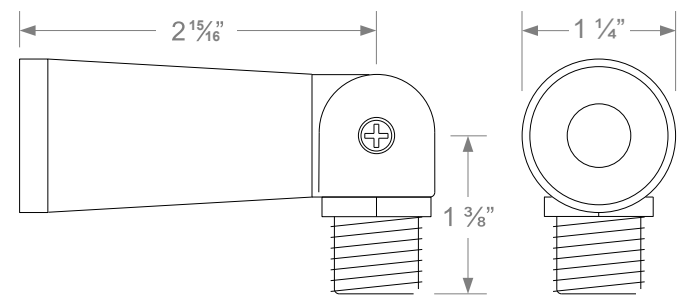
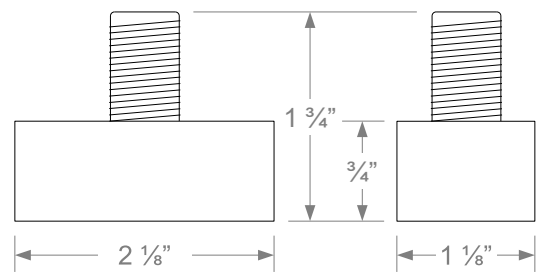


Model EJL-403C
(Button Type Photocell)



Model EJL-404C
(Pencil Type Photocell)

Dimensions



Wiring Diagrams

