

## ELEDH-AFK8

### 8" LED Architectural Frame-in Kit



### DESCRIPTION

The LEDH-AFK8 is a 8" LED, Non-IC, Frame-in kit and is available with multiple Trim styles. Designed for use in non-insulated ceilings, Insulation material must be kept a minimum of 3" from fixture. Available with a 14W, 23W, 30W or 45W, high efficacy LED engine and universal, dimmable drivers. The special optical diffuser produces high lumen transmission and even illumination. Suitable for Wet Locations.

### DESIGN FEATURES

#### Mounting Ring

- 20-gauge CRS mounting ring, painted black. The 1-5/8" deep collar may be used with various ceiling material thicknesses.

#### LED Module & Trim

- Painted, extruded aluminum heat sink designed to facilitate efficient heat dissipation for superior thermal management and reliability. LED engine includes LED, heat sink and lens assembly.
- Heavy gauge aluminum reflector anodized in clear haze or white paint finishes. Multiple trim styles and finishes are available.

#### LED Driver

- Universal, 120~277V input, high efficacy drivers with dimming capability by ① a Triac 120V low voltage electronic dimmer switches or ② 0-10V, Triac & ELV dimmer switches.
- Drivers feature power factor >.90, THD <20% with integral thermal protection to sense over temperature or electrical issues.
- Driver mounts externally to the module to allow future replacement or upgrading if desired.
- Optional Lutron Hi-lume A-Series, LED drivers and EcoSystem 5-Series LED drivers are available. Lutron drivers provide flicker-free, smooth, continuous dimming down to 1% for Hi-lume and 5% for EcoSystem. (Contact factory for dimming system requirements)

#### Limited Warranty

- LED Module: 5 years/50K hours
- Product/Driver: 3 years

### Ordering Information

Model: **ELED-AFK8-** \_\_\_\_\_

Model	Watts	CRI	Color Temp.**	Driver*	Trim	Reflector Finish	ELEDT- R814 & R841	Metal Trim Ring Finish
<b>ELEDH-AFK8</b> = 8", Non-IC, Architectural Frame-in Down Light Kit	14 = 14W	8 = 80	27 = 2700K	UTD = 120~277VAC, Triac: 10-100% Dimming (14, 23 & 30W only)	LEDT-R84	<b>HC</b> = Haze Clear <b>WH</b> = White Painted	<b>WH</b> = White <b>BK</b> = Black	<b>WH</b> = White Plastic Trim Ring (Standard) <b>WMR</b> = White Metal Ring <b>SN</b> = Satin Nickel <b>CH</b> = Chrome <b>SF</b> = Polished Self-Flange (for Open or Wall Wash Reflectors ONLY)
	23 = 23W	9 = 90	30 = 3000K		LEDT-R814			
	30 = 30W		35 = 3500K	UZTD = 120~277V, 0-10V, Triac & ELV: 1-100% Dimming	LEDT-R841			
	45 = 45W		40 = 4000K		LEDT-R822			
				L1D = Lutron Hi-lume 1% Dimming L5D = Lutron EcoSystem 5% Dimming	LEDT-R836			
				LTE = Lutron Hi-lume 1% 2-Wire Dimming	LEDT-R840			
				*. Option -EM = Emergency battery backup	LEDT-R850			

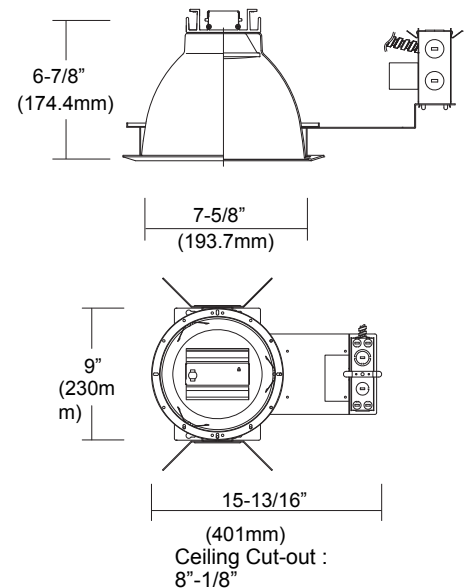
### Options

- Emergency battery back-up : Available in mounted to fixture or remote adjacent to luminaire (consult with factory for space requirements).

### Listing

- cETLus Wet Location
- ENERGY STAR
- California Title 24

### Dimensions



### Mounting Channel Bracket

- Commercial mounting kit provides up to 5" vertical adjustment and accommodates 1/2" EMT conduit. Optional HBC-24 bar hanger for T-bar grid or concealed spline ceiling are also available.


### Junction Box

- Listed for through branch circuit wiring. (Max.8 No 12 AWG 90°C branch circuit conductors: 4 in, 4 out)
- (5) 1/2" knockouts with pry-out slots and (4) knockouts with Romex cable clamps.
- Ground wire provided on J-box.

### HOUSING COMPATIBILITY for the LEDH-AFK8 RETROKIT ONLY

ELEDH-AFK8 ETL Listed for installation in the following Lumtech standard architectural housings; 8" : FH-VC8, FH-VA8, FH-VAR8, FH-HA8, FH-HAR8, FH-HC8, IH-VF8300, IH-VA8300, IH-VAR8300, IH-HF8300, IH-HA8300, IH-HAR8300, MH-VF8, MH-VA8, MH-VAR8, MH-(HF8, HA8, HAR8)

ELEDH-AFK8 ETL Listed for retrofit in the following 8" architectural housing; • Halo : PD7V142E, PD7V120, PD7V501E, PD7V701E, PD7V1001E, PD7V70XIE, PD7V100X1E Juno : CV8-126/32/42T, TC908, MX8-(70,100), M8-(70,100) Lithonia : LP8F, CCR82, LP8H, LP8

Triac Approved Dimmers	
* Lutron: NovaT (Ntelv 300&600) Diva (Dvelv-300P&303P)	
* Leviton: Acenti: Ate06-1Lw	
* Leviton Trimatron #705W (incandescent)	
0-10V Approved Dimmers	
* Lutron: Nova® 0-10V : NTFTV Diva® 0-10V : DVTV	
* Leviton: Decora 0-10V : IP710DL	
<b>Consult tech. service or factory for additional dimmers</b>	
* Provided: Easy-quick connector case (patent pending)	
	

SPECIFICATION				
Input Voltage	120-277VAC			
Wattage (+/-5%)	14W	23W	30W	45W
Lumen (+/-5%)	960	1,760	2,280	3,340
Efficacy (LPW)	68.6	76.5	76	74.2
Beam Angle	63°	64.2°	63.3°	62.9°
CRI (Typical)	80, 90			
CCT (Color +/-5%)	2700K, 3000K, 3500K, 4000K			
Dimming	0-10V, ELV & TRIAC Optional Lutron Drivers			
LED Module	5 yr/50K hr			
Environment	Wet Location			

### TRIM



**ELEDT-R84**  
Specular Open Reflector



**ELEDT-R814**  
Baffle w / Reflector



**ELEDT-R841**  
Baffle w / Regressed Lens



**ELEDT-R822**  
Reflector w / Regressed Lens



**ELEDT-R836**  
Wall Wash w / Reflector Plate



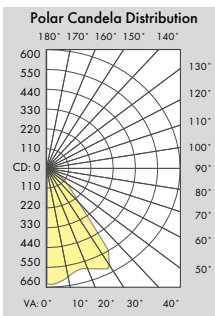
**ELEDT-R840**  
Reflector w / Frosted Floating Lens



**ELEDT-R850**  
Reflector with Frosted 3.5" Center Hole Lens

\* All trims are rated for damp location and regressed lens trims are wet location listed.  
\* LEDT-R841 & LEDT-R822 are suitable and rated for shower location.

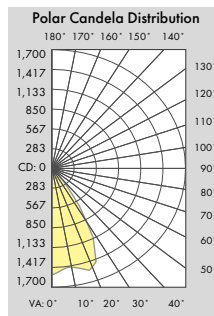
### PHOTOMETRIC REPORT \* Contact Factory for IES File



Illuminance at a Distance	
Center Beam FC	Beam Width
2.0ft	163.9 fc
4.0ft	41.0 fc
6.0ft	18.2 fc
8.0ft	10.2 fc
10.0ft	6.6 fc
12.0ft	4.6 fc

Beam Spread: 63°

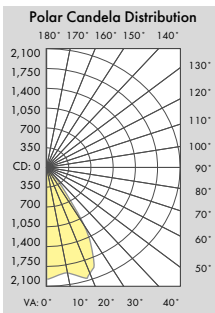
[ELEDH-AFK8-14-830+LEDT-R84]



Illuminance at a Distance	
Center Beam FC	Beam Width
2.0ft	378.7 fc
4.0ft	94.7 fc
6.0ft	42.1 fc
8.0ft	23.7 fc
10.0ft	15.1 fc
12.0ft	10.5 fc

Beam Spread: 64.2°

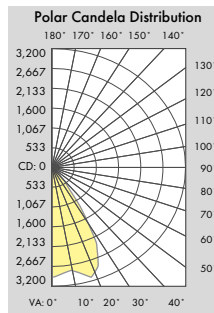
[ELEDH-AFK8-23-830+LEDT-R84]



Illuminance at a Distance	
Center Beam FC	Beam Width
2.0ft	497.7 fc
4.0ft	124.4 fc
6.0ft	55.3 fc
8.0ft	31.1 fc
10.0ft	19.9 fc
12.0ft	13.8 fc

Beam Spread: 63.3°

[ELEDH-AFK8-30-830+LEDT-R84]



Illuminance at a Distance	
Center Beam FC	Beam Width
2.0ft	732.2 fc
4.0ft	183.1 fc
6.0ft	81.4 fc
8.0ft	45.8 fc
10.0ft	29.3 fc
12.0ft	20.3 fc

Beam Spread: 62.9°

[ELEDH-AFK8-45-830+LEDT-R84]