

## ELEDHBR-PRM

Premium Round LED High Bay 14,000-32,000 Lumens (100-240W)



### Standard

The ELEDHBR-PRM is a premium round LED high bay luminaire. It is designed to illuminate a wide variety of settings including commercial, industrial and retail settings such as warehouses, manufacturing plants, sporting venues and big-box retailers. With a die cast aluminum housing and clear glass lens, the ELEDHBR-PRM provides durability and high performance. High-efficacy, long-life LEDs provide both energy and maintenance cost savings compared to traditional, HID high bays.

### Features

- Available in 4000k (neutral white) and 5000k (cool white) color temperatures.\*
- For models with 120-277V AC input voltage, long-life LEDs provide 141,000 hours of operation with at least 70% of initial lumen output (L70). Models with 347-480V AC input voltage feature L70 performance of at least 205,000 hours.\*\*
- Provides a range of 13,812 to 34,704 lumens.\*
- Universal 120-277 & 347-480V AC voltage (50-60Hz) are standard.
- 0-10vdc dimming drivers are standard.
- Watertight, compression-type electrical connectors.
- Mounting options include suspension from pre-installed mounting hook, yoke mounting, and attachment to electrical conduit.
- Optional, IP65 Merrytek occupancy/daylight sensor and junction box assembly provides a fully-wired luminaire & control package. To order, add the suffix "OS" to your luminaire catalog number (see example below).
- Power factor > 0.90.
- Total harmonic distortion < 20%.
- Color rendering index > 80.
- Die cast aluminum housing, painted black.
- Easy installation in new construction or retrofit.

\* Contact factory for other color temperatures and lumen packages.

\*\* L70 hours are IES TM-21-11 calculated hours.

### Ordering Information

Premium round highbay, 14,000 nominal lumens, 4000k, black housing, 120-277V, Merrytek occupancy & daylight sensor + pendant snap hook + Merrytek remote control

Shown with optional occupancy sensor



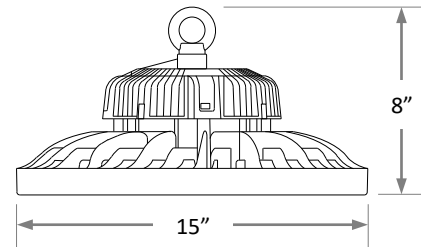
### Warranty & Listings

- cULus listed for wet locations in ambient temperatures from:
  - 14,000 & 21,000 lumen models: -40°C to 55°C (-40°F to 131°F).
  - 27,000 & 32,000 lumen models: -40°C to 50°C (-40°F to 122°F).
 Note: The minimum temperature for models with occupancy sensors is -25°C (-13°F).
- DLC premium approved.
- IP65 rated for ingress protection.
- Flicker-free per IEEE1789-2015 (no observable adverse effects of flicker at 100% light output level).
- Complies with FCC Part 15, class B.
- Complies with EN61000-4-5, surge immunity protection:
  - 120-277V models: 6kV.
  - 347-480V models: 10kV.
- 5-year warranty of all electronics and housing.

### Mounting Options

- Suspension from pre-installed mounting hook (cast iron M10 eyebolt) with locking set screw is standard.
- Ceiling-mounted installation (using optional yoke mounting bracket, ELEDHBRSN-YOKE-PRM) provides up to 100° of adjustability.
- Two ways to mount luminaire to electrical conduit:
  - Attach conduit (1/2" NPS) to optional yoke mounting bracket (ELEDHBRSN-YOKE-PRM).
  - Optional pendant snap hook (ELEDHBRSN-PSH-PRM-V2) attaches to electrical conduit (3/4" NPS).

### Dimensions

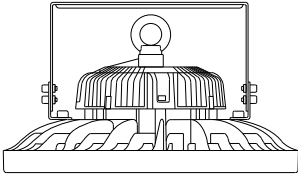


Weight: 10.6 – 12.4 lbs.

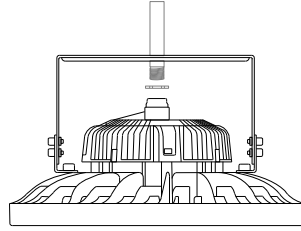
Product NumVer.: ELEDHBR-PRM M.: LW.: LL.: L#W.: CT. HC: IV: S(O): A.

Model	Luminaire Watts	Luminaire Lumens	Lumens Per Watt	Color Temperature	Housing Color	Input Voltage	Sensor (Optional)	Accessories (Order Separately)
ELEDHBR-14	100	13,961 13,950	140 140	4K-PRM = 4000k 5K-PRM = 5000k	BLK = Black	UNV = 120-277V	OS= Occupancy & Daylight Sensor (Factory-Installed)	ELEDHBRSN-PSH-PRM-V2 = Pendant snap hook ELEDHBRSN-YOKE-PRM = Yoke mount bracket
ELEDHBR-21	150	20,799 20,624	139 137	4K-PRM = 4000k 5K-PRM = 5000k				ELEDHBRSN-ALMREFL60-PRM = Reflector, 60°, Aluminum
ELEDHBR-27	200	27,415 27,169	137 136	4K-PRM = 4000k 5K-PRM = 5000k				ELEDHBRSN-ALMREFL90WIDE-PRM = Reflector, 90°, Aluminum
ELEDHBR-32	239	32,727 32,250	137 135	4K-PRM = 4000k 5K-PRM = 5000k				ELEDHBRSN-ACLREFL60-PRM = Reflector, 60°, Acrylic = ELEDHBRSN-ACLREFL90-PRM Reflector, 90°, Acrylic =
ELEDHBR-14	102	13,812 13,892	135 136	4K-PRM = 4000k 5K-PRM = 5000k		UNC = 347-480V	Note: Occupancy sensors are not available on 347-480V models	MWAVEDHS-REM Merrytek remote control (use with occupancy & daylight sensor)
ELEDHBR-21	151	21,127 21,357	140 141	4K-PRM = 4000k 5K-PRM = 5000k				
ELEDHBR-27	200	27,846 28,143	139 141	4K-PRM = 4000k 5K-PRM = 5000k				
ELEDHBR-32	243	34,107 34,704	140 143	4K-PRM = 4000k 5K-PRM = 5000k				

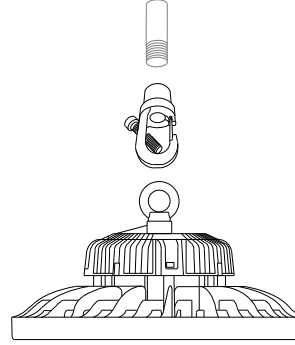
## Mounting Options



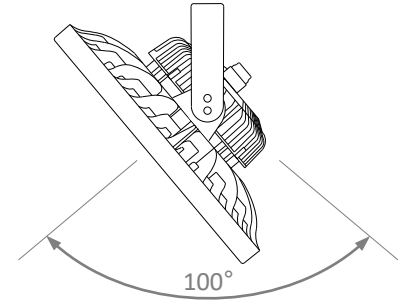
**Ceiling-Mounted**  
(ELEDHBR SN-YOKE-PRM)



**1/2" Conduit-Mounted**  
(ELEDHBR SN-YOKE-PRM)



**3/4" Conduit-Mounted**  
(ELEDHBR SN-PSH-PRM-V2)



**Adjustable**

## Electrical Data

Model	Color Temp.	CRI <sup>1</sup>	Luminaire Lumens	Luminaire Watts	Lumens/Watt	Input Voltage <sup>2</sup>	Input Current (A)			Power Factor	THD <sup>3</sup>	L <sub>70</sub> Hours <sup>4</sup>
							120V	240V	277V			
ELEDHBR14-4K-PRM-BLK-UNV	4000k	>80	13,961	100	140	120-277	0.83	0.42	0.36	>0.90	<20%	141,000
ELEDHBR14-5K-PRM-BLK-UNV	5000k	>80	13,950	100	140	120-277	0.83	0.42	0.36	>0.90	<20%	141,000
ELEDHBR21-4K-PRM-BLK-UNV	4000k	>80	20,799	150	139	120-277	1.25	0.63	0.54	>0.90	<20%	141,000
ELEDHBR21-5K-PRM-BLK-UNV	5000k	>80	20,624	150	137	120-277	1.25	0.63	0.54	>0.90	<20%	141,000
ELEDHBR27-4K-PRM-BLK-UNV	4000k	>80	27,415	200	137	120-277	1.67	0.83	0.72	>0.90	<20%	141,000
ELEDHBR27-5K-PRM-BLK-UNV	5000k	>80	27,169	200	136	120-277	1.67	0.83	0.72	>0.90	<20%	141,000
ELEDHBR32-4K-PRM-BLK-UNV	4000k	>80	32,727	239	137	120-277	1.99	1.00	0.86	>0.90	<20%	141,000
ELEDHBR32-5K-PRM-BLK-UNV	5000k	>80	32,250	239	135	120-277	1.99	1.00	0.86	>0.90	<20%	141,000
ELEDHBR14-4K-PRM-BLK-UNC		>80								>0.90	<20%	
ELEDHBR14-5K-PRM-BLK-UNC		>80								>0.90	<20%	
ELEDHBR21-4K-PRM-BLK-UNC	4000k	>80	13,812	102	135	347-480	0.29	0.21		>0.90	<20%	238,000
ELEDHBR21-5K-PRM-BLK-UNC	5000k	>80	13,892	102	136	347-480	0.29	0.21		>0.90	<20%	238,000
ELEDHBR27-4K-PRM-BLK-UNC	4000k	>80	21,127	151	140	347-480	0.44	0.31		>0.90	<20%	230,000
ELEDHBR27-5K-PRM-BLK-UNC	5000k	>80	21,357	151	141	347-480	0.44	0.31		>0.90	<20%	230,000
ELEDHBR32-4K-PRM-BLK-UNC	4000k	>80	27,846	200	139	347-480	0.58	0.42		>0.90	<20%	215,000
ELEDHBR32-5K-PRM-BLK-UNC	5000k	>80	28,143	200	141	347-480	0.58	0.42		>0.90	<20%	215,000
	4000k		34,107	243	140	347-480	0.70	0.51		>0.90	<20%	205,000
	5000k		34,704	243	143	347-480	0.70	0.51		>0.90	<20%	205,000

<sup>1</sup> Color rendering index.

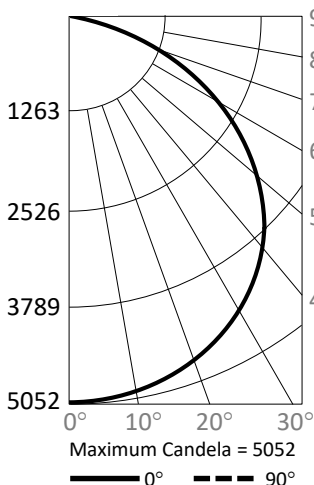
<sup>2</sup> All 50-60Hz.

<sup>3</sup> Total harmonic distortion.

<sup>4</sup> L<sub>70</sub> refers to the number of hours at which lumen output declines to 70% of the initial level. L<sub>70</sub> hours are IES TM-21-11 calculated hours.

## Photometric Data

### ELEDHBR14-4K-PRM-BLK-UNV (13,961 Lumens)



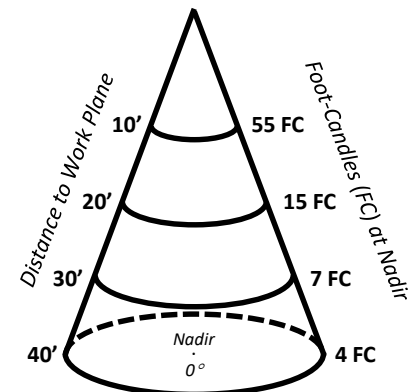
#### Candlepower Summary

	0°	90°
0°	5,052	5,052
10°	4,985	5,000
20°	4,781	4,772
30°	4,412	4,421
40°	3,886	3,886
50°	3,120	3,118
60°	2,086	2,115
70°	974	1,036
80°	132	179
90°	2	2

#### Zonal Lumen Summary

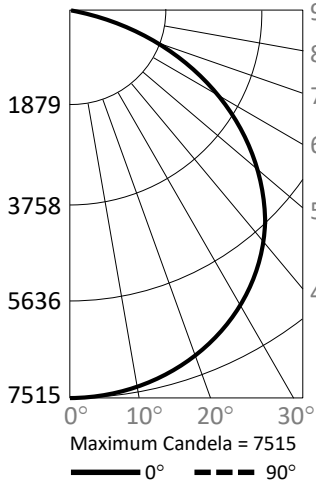
Zone	Lumens	% Fixture
0° - 10°	483	3.5%
0° - 20°	1,879	13.5%
0° - 30°	4,026	28.8%
0° - 40°	6,657	47.7%
0° - 50°	9,415	67.4%
0° - 60°	11,765	84.3%
0° - 70°	13,319	95.4%
0° - 80°	13,881	99.4%
0° - 90°	13,921	99.7%
90° - 180°	40	0.3%
0° - 180°	13,961	100.0%

#### Cone of Light



## Photometric Data

### ELEDHBR21-4K-PRM-BLK-UNV (20,799 Lumens)

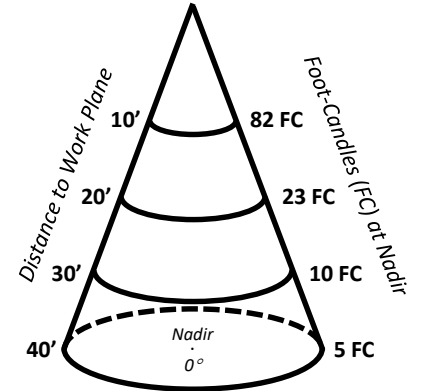


Candlepower Summary		
	0°	90°
0°	7,515	7,515
10°	7,420	7,437
20°	7,113	7,103
30°	6,586	6,561
40°	5,780	5,768
50°	4,609	4,664
60°	3,111	3,142
70°	1,456	1,545
80°	204	270
90°	2	2

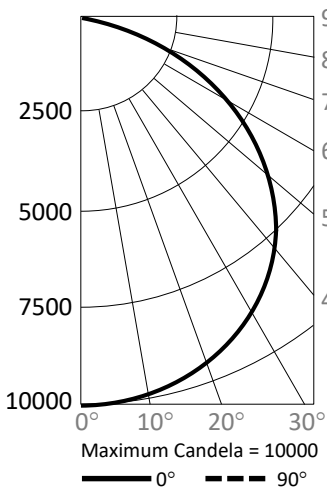
### Zonal Lumen Summary

Zone	Lumens	% Fixture
0° – 10°	722	3.5%
0° – 20°	2,806	13.5%
0° – 30°	6,011	28.9%
0° – 40°	9,935	47.8%
0° – 50°	14,037	67.5%
0° – 60°	17,535	84.3%
0° – 70°	19,840	95.4%
0° – 80°	20,678	99.4%
0° – 90°	20,739	99.7%
90° – 180°	60	0.3%
0° – 180°	20,799	100.0%

### Cone of Light



### ELEDHBR27-4K-PRM-BLK-UNV (27,415 Lumens)

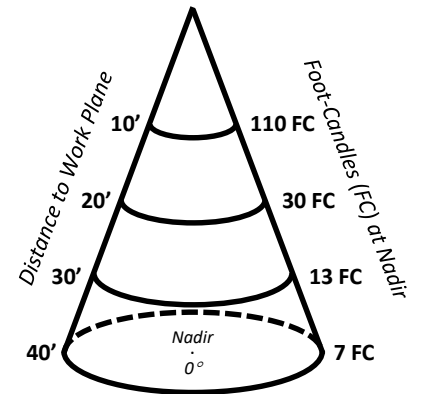


Candlepower Summary		
	0°	90°
0°	10,000	10,000
10°	9,876	9,868
20°	9,470	9,450
30°	8,755	8,749
40°	7,713	7,708
50°	6,329	6,326
60°	4,327	4,341
70°	2,155	2,217
80°	380	447
90°	4	4

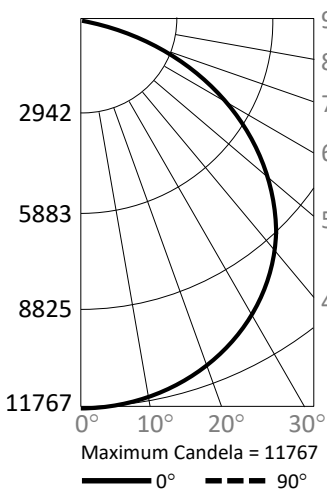
### Zonal Lumen Summary

Zone	Lumens	% Fixture
0° – 10°	936	3.4%
0° – 20°	3,639	13.3%
0° – 30°	7,796	28.4%
0° – 40°	12,889	47.0%
0° – 50°	18,235	66.5%
0° – 60°	22,883	83.5%
0° – 70°	26,017	94.9%
0° – 80°	27,235	99.3%
0° – 90°	27,335	99.7%
90° – 180°	80	0.3%
0° – 180°	27,415	100.0%

### Cone of Light



### ELEDHBR32-4K-PRM-BLK-UNV (32,727 Lumens)

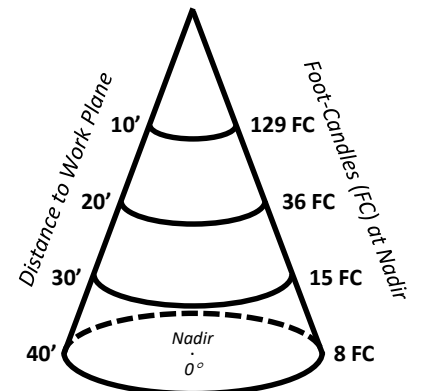


Candlepower Summary		
	0°	90°
0°	11,767	11,767
10°	11,631	11,615
20°	11,153	11,131
30°	10,309	10,290
40°	9,088	9,053
50°	7,455	7,426
60°	5,104	5,112
70°	2,567	2,607
80°	449	520
90°	5	5

### Zonal Lumen Summary

Zone	Lumens	% Fixture
0° – 10°	1,116	3.4%
0° – 20°	4,337	13.3%
0° – 30°	9,290	28.4%
0° – 40°	15,357	46.9%
0° – 50°	21,722	66.4%
0° – 60°	27,284	83.4%
0° – 70°	31,042	94.9%
0° – 80°	32,512	99.3%
0° – 90°	32,631	99.7%
90° – 180°	96	0.3%
0° – 180°	32,727	100.0%

### Cone of Light



Job Name: \_\_\_\_\_

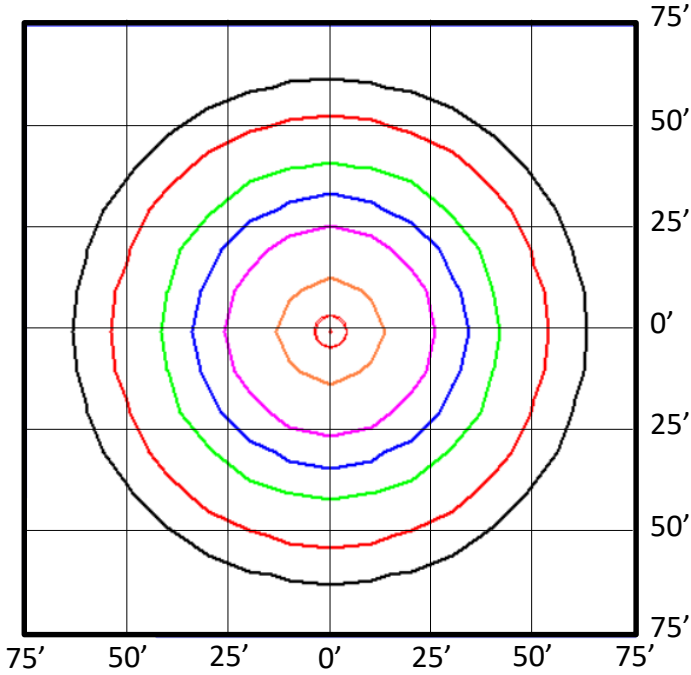
Type: \_\_\_\_\_

Part #: \_\_\_\_\_

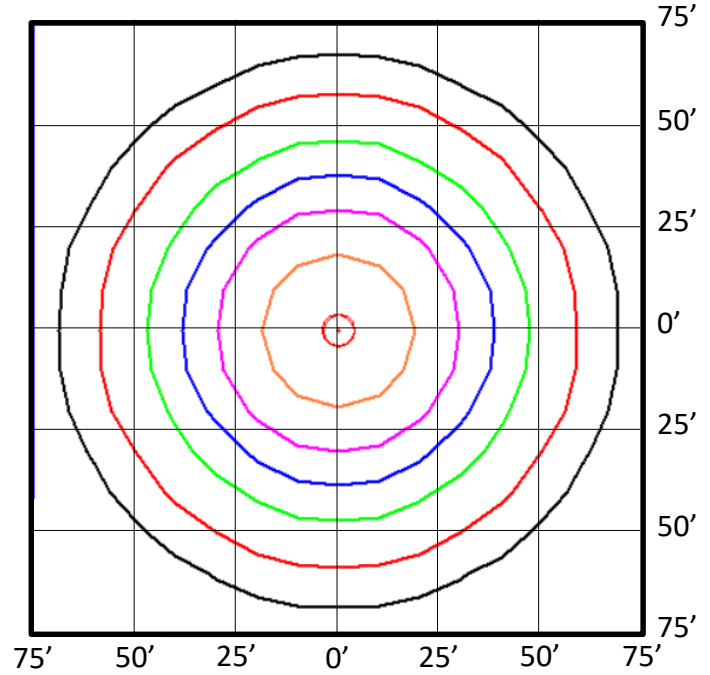
Notes: \_\_\_\_\_

**Photometric Data**

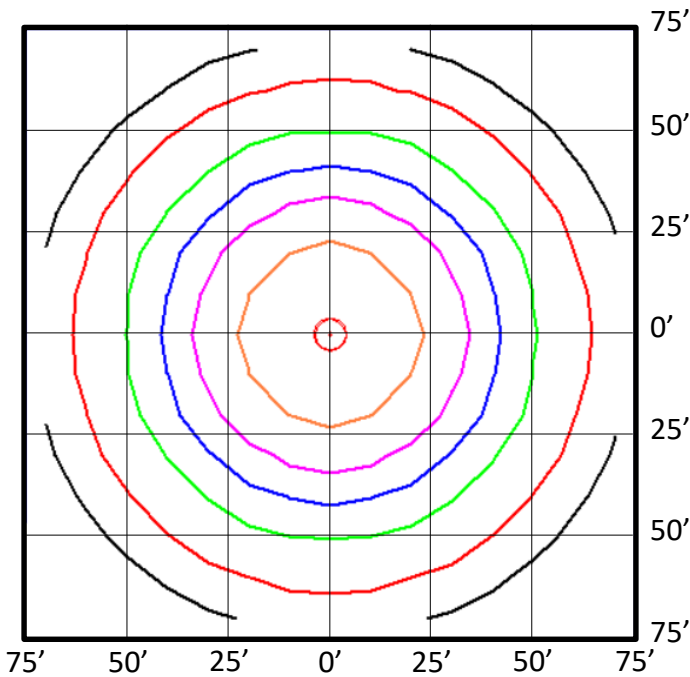
**ELEDHBR14-4K-PRM-BLK-UNV (13,961 Lumens)**



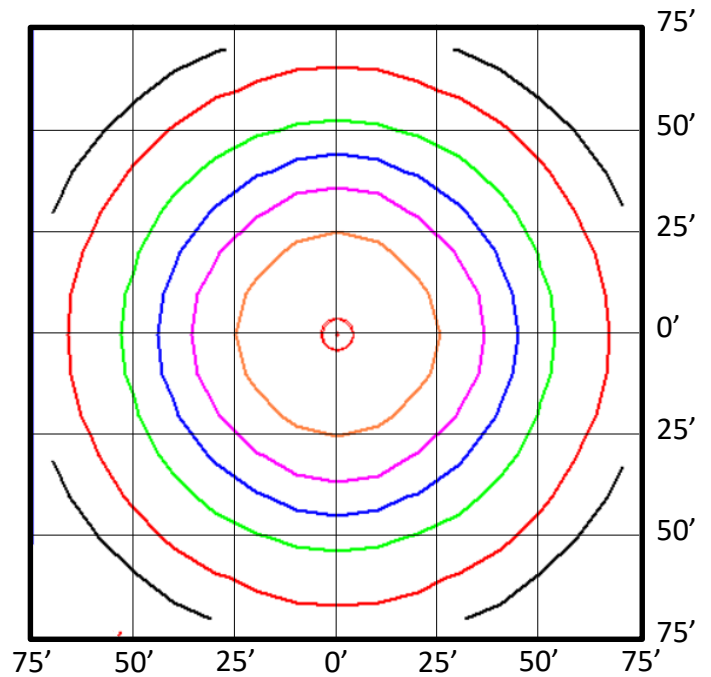
**ELEDHBR21-4K-PRM-BLK-UNV (20,799 Lumens)**



**ELEDHBR27-4K-PRM-BLK-UNV (27,415 Lumens)**



**ELEDHBR32-4K-PRM-BLK-UNV (32,727 Lumens)**



**Foot Candles**

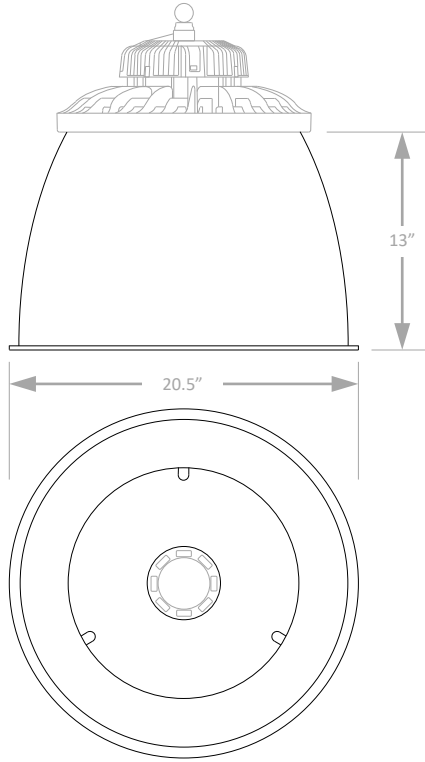
- 5.0
- 2.0
- 1.0
- 0.5
- 0.2
- 0.1

**Notes:**

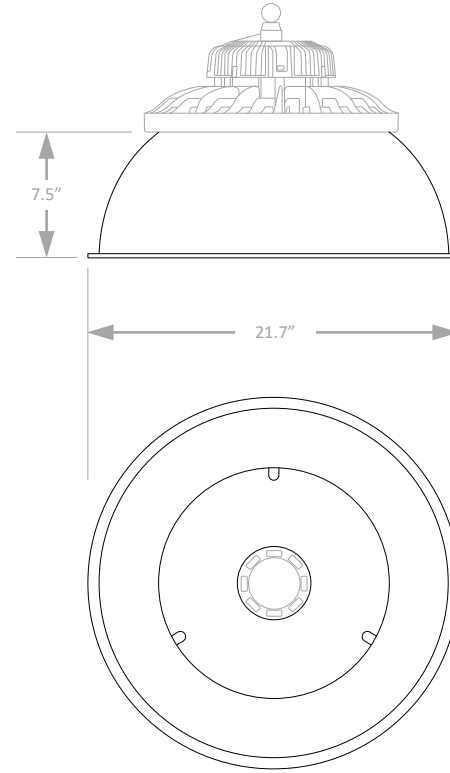
- Isofootcandle plots depict initial footcandles at grade.
- Gridlines represent units of mounting height of 25 feet.

**Reflectors**

**Aluminum**

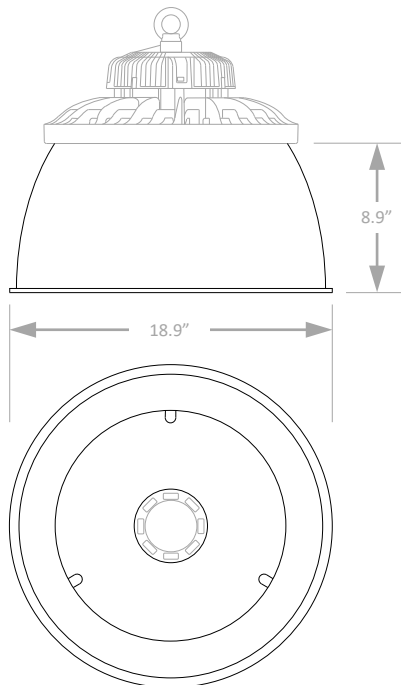


**ELEDHBRNS-ALMREFL60-PRM**  
 Aluminum Reflector, 60° Beam Spread

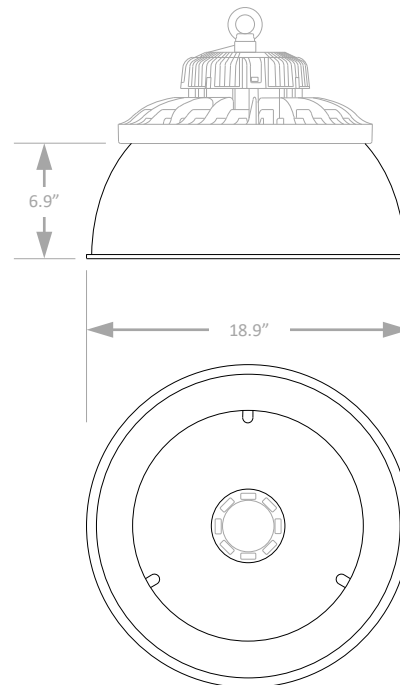


**ELEDHBRNS-ALMREFL90WIDE-PRM**  
 Aluminum Reflector, 90° Beam Spread

**Acrylic**



**ELEDHBRNS-ACLREFL60-PRM**  
 Acrylic Reflector, 60° Beam Spread



**ELEDHBRNS-ACLREFL90-PRM**  
 Acrylic Reflector, 90° Beam Spread