

## ELEDH-RT4ICA

### 4" IC/Airtight LED Recessed Down Light for New Construction



#### DESIGN FEATURES

##### Housing

- Galvanized steel housing.
- Housing is adjustable for thickness up to 1-1/4"

##### Junction Box

- Listed for through branch circuit wiring  
(Max.8 No 12 AWG, 90°C branch circuit conductors).
- (5) 1/2" knockouts with pry-out slots and (4) knockouts with Romex cable clamps.
- Ground wire provided on J-box.

##### Bar Hangers

- 24" Bar Hangers provide stability and support on joists and T-Bar Grid ceilings.
- Housing can be positioned at any point within 24" joist spacing.
- Score lines allow easy "bend & snap-off" shortening for 12" joist spacing.

##### Trims

- Standard offerings with baffle trims in painted white or black plus haze clear reflectors. See "Trims" spec sheet for full offerings and ordering information.

##### Optics

- Lens: Fine, frosted surface of tempered glass provides high lumen transmission and diffusion for even illumination.

##### LED Driver

- Universal, 120~277V input, high efficacy drivers with dimming capability with 0-10V Triac & ELV dimmer switches.
- Drivers feature power factor >.90, THD <20% with integral protection to sense over temperature or electrical issues.
- Driver mounts externally to the module to allow future replacement or upgrading if desired. Optional Lutron Hi-lume A-Series, LED drivers and EcoSystem 5-Series LED drivers are available. Lutron drivers provide flicker-free, smooth, continuous dimming down to 1% for Hi-lume and 5% for EcoSystem. (Contact factory for dimming system requirements)

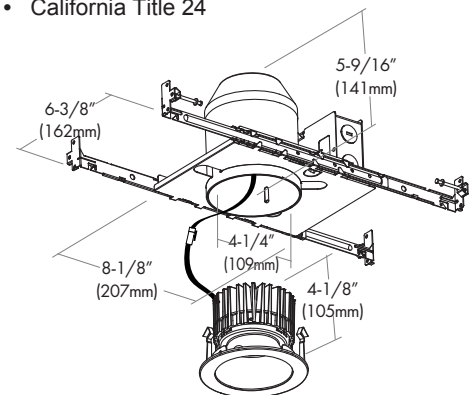


##### Limited Warranty

- LED Module: 5 years/50K hours
- Product: 3 years

##### Listing

- cETLus Damp and Wet Location
- ENERGY STAR
- California Title 24



Height : 5-9/16"  
Housing Aperture : 4-1/4"  
Ceiling Cut-out : 4-3/8"

#### Ordering Information Model: ELEDH-RT4ICA

Housing	Watts	Driver	Trim	Watts	CR	Color*	Finishes*	Trim Ring Finish*
ELEDH-RT4ICA = 4" IC Air-tight New Construction	-11 = 11W CREE  * For Lutron & ERP Drivers ONLY	UZTD = 120~277V, 0-10V, Triac & ELV dimming  ULDE1 = Lutron 1% EcoSystem SoftOn/FadeToBlack =  ULDE5 = Lutron 5% EcoSystem  LTE = 2-Wire 120V Lutron Dimming  *Option : Emergency EM = Emergency Battery Backup	ELEDT-C44 = Reflector ELEDT-C42 = Baffle ELEDQT-42 = Square Diecast Baffle  ELEDT-C411 = Gimbal Adjustable  ELEDT-C450 Shower Lens	11 = 11W CREE 120~277V, 0-10V, Triac/ ELV Dimming  10DOB = 10W 120V Triac/ELV Dimming	8 = 80 9 = 90	27 = 2700K 30 = 3000K 35 = 3500K 40 = 4000K	Reflector: HC = HazeClear PR = Pewter CP = Champagne  Baffle: WH = WhitePainted WH = White BK = Black	WH = White -BK = Black

**ELEDT-C44**

**Reflector**

- HC = Haze Clear
- PR = Pewter
- CP = Champagne
- WH = White Painted
- O.D : 4-7/8"

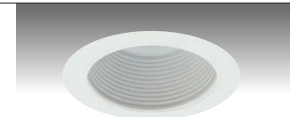


**LEDT-C44-WH-WH**

**ELEDT-C42**

**Baffle**

- WH = White
- BK = Black
- O.D : 4-7/8"



**LEDT-C42-WH-WH**

**ELEDQT-42**

**Square Diecast Baffle**

- WH = White
- Frame : 4-3/4" x 4-3/4"

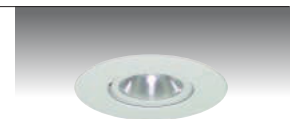


**LEDQT-42-WH**

**ELEDT-C411**

**Gimbal Adjustable**

- WH = White
- BK = Black
- O.D : 4-7/8"

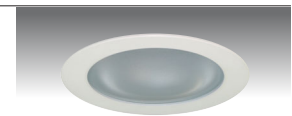


**LEDT-C411**

**ELEDT-C450**

**Frosted Shower Lens**

- WH = White
- O.D : 4-7/8"



**LEDT-C450**

SPECIFICATION		
Input Voltage	120-277VAC	
Wattage (+/-5%)	DOB	CREE
	10 W	11 W
Lumen (+/-5%)	820 lm	1014 lm
Efficacy (LPW)	82 lm/W	92.2 lm/W
Beam Angle	43.7°	43.7°
CRI (Typical)	80, 90	
CCT (Color +/-5%)	2700K, 3000K, 3500K, 4000K	
Dimming	0-10V, Triac, Lutron 1% & 5%	
LED Module	5 yr/50K hr	
Environment	Damp & Wet Location	

**Trailing Edge Dimmer**

- **Lutron® Model Numbers :**
- Diva®DVCL Series      • Diva®DVLV Series
- Nova T®NT Series      • Glyder®GLV Series
- Ariadni®AYCL Series      • RadioRA 2®1OND Series
- Skylark®SLV Series      • Skylark®SLV Series
- Skylark® Contour CTCL Series
- Maestro Wireless MRF2-6ND Series
- Lutron®Homeworks®RPM-4U
- Lutron®Homeworks®QS HQRD-6ND Series
- Lutron®Homeworks®QS HQRD-1OND Series

**Leviton® Model Numbers :**

- SureSlide 6633

**Leading Edge Dimmer**

- **Lutron® Model Numbers :**
- Diva®DVELV Series      • Skylark®SELV Series
- Nova T®NTELV Series      • RadioRA RRD-6NA Series
- Maestro MAELV Series      • Maestro MRF2-6ELV Series
- Lutron®Grafik Eye PHPM-PA Series
- Lutron®Homeworks®QS HQRD-6NA Series

Consult tech. service or factory for additional dimmers