

ELEDSL28W

28 Watt LED Landscape Security / Flood Light



The ELEDSL28W landscape security / flood light is an ideal solution for general site, landscape, sign and pathway lighting. With a die cast aluminum housing, and a polycarbonate lens with seamless silicone gasket to prevent leaks, the ELEDSL28W will stand up to many years of punishing environmental conditions. High-efficacy, long-life LEDs provide both energy and maintenance cost savings compared to traditional, incandescent landscape lights.

FEATURES

- Available in 3000k (warm white) & 5000k (cool white) color temperatures.*
- Long-life LEDs provide 69,000 hours of operation with at least 70% of initial lumen output (L70).**
- Delivers 2,724 lumens (106 lumens per watt, LPW) at 3000k, and 3,200 lumens (125 LPW) at 5000k.*
- Narrow beam spread is standard. Medium beam spread is available by special order (contact factory for details).
- Universal 100-277 AC voltage (50-60Hz) is standard.
- Power factor > 0.90.
- Total harmonic distortion < 20%.
- Color rendering index > 80.
- Die cast aluminum housing with durable, dark bronze, powder coat paint.
- Polycarbonate lens.
- Several mounting options provide easy installation in new construction or retrofit. Yoke-mounted models available by special order (contact factory for details).

WARRANTY & LISTINGS

- cULus listed for wet locations (-20°C to 40°C / -4°F to 104°F).
- IP65 rated.
- DLC approved.
- Complies with EN61000-4-5, surge immunity test (1kV).
- 5-year warranty on all electronics and housing.

ORDERING INFORMATION

Model	Luminaire Watts	Luminaire Lumens	Lumens Per Watt	Color Temperature	Beam Spread	Mounting Options (Order Separately)
ELEDSL28W-K	26	2,724	106	3K = 3000k	30 = Narrow	Spike-Mount = LEDSL-BS
	26	3,200	125	5K = 5000k	30 = Narrow	Canopy-Mount = LEDSL-CMB



MOUNTING OPTIONS

- Threaded pipe (NPS 1/2"), which attaches to a junction box, is standard.
- Optional spike-mount (ELEDSL-BS) for ground mounting.
- Optional canopy-mount (ELEDSL-CMB) for attachment to flat surfaces.

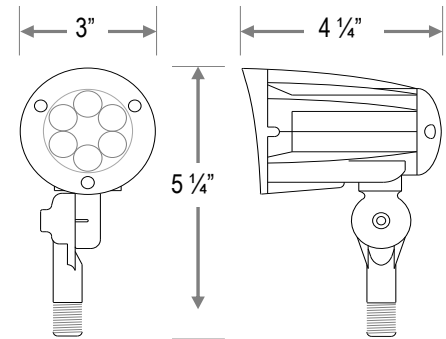


Spike-Mount
(ELEDSL-BS)



Canopy-Mount
(ELEDSL-CMB)

DIMENSIONS



ELECTRICAL

Model	Color Temp.	CRI ¹	Luminaire Lumens	Luminaire Watts	Lumens Per Watt	Input Voltage ²	Input Current (A)			Power Factor	THD ³	L ₇₀ Hours ⁴
							120V	240V	277V			
ELED28W-K-3K-30	3000k	> 80	2,724	26	106	120-277	0.21	0.11	0.09	> 0.90	< 20%	69,000
ELED28W-K-5K-30	5000k	> 80	3,200	26	125	120-277	0.21	0.11	0.09	> 0.90	< 20%	69,000

¹ Color rendering index.

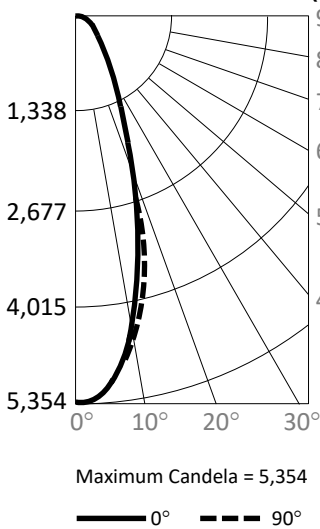
² All 50-60Hz.

³ Total harmonic distortion.

⁴ L₇₀ refers to the number of hours at which lumen output declines to 70% of the initial level. L₇₀ hours are IES TM-21-11 calculated hours.

PHOTOMETRIC DATA

ELED28W-K-5K-30 (3,200 Lumens)



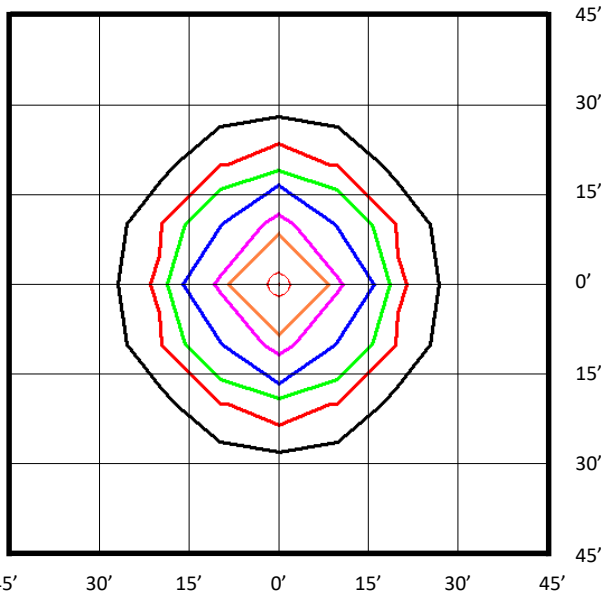
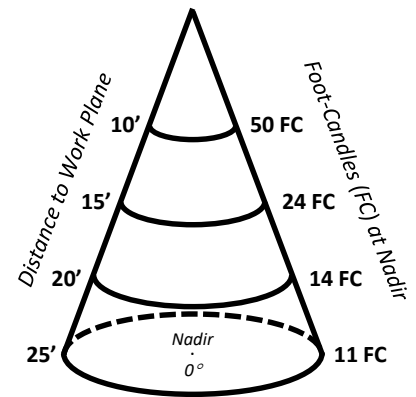
Candlepower Summary

	0°	90°
0°	5,198	5,198
10°	5,305	5,102
20°	4,897	4,614
30°	4,046	4,017
40°	2,854	3,008
50°	1,794	2,022
60°	1,191	1,382
70°	834	969
80°	614	721
90°	456	537

Zonal Lumen Summary

Zone	Lumens	% Fixture
0° - 10°	450	14.1%
0° - 20°	1,356	42.4%
0° - 30°	2,065	64.5%
0° - 40°	2,545	79.5%
0° - 50°	2,870	89.7%
0° - 60°	3,060	95.6%
0° - 70°	3,155	98.6%
0° - 80°	3,192	99.7%
0° - 90°	3,199	100.0%
90° - 180°	1	0.0%
0° - 180°	3,200	100.0%

Cone of Light



Foot Candles



Notes:

- Isofootcandle plots depict initial footcandles at grade.
- Gridlines represent units of mounting height of 15 feet.

Luminaire Orientation

