

Job Name: \_\_\_\_\_

Type: \_\_\_\_\_

Part #: \_\_\_\_\_

Notes: \_\_\_\_\_

## ELEDWP30W

### 30 Watt LED Wall Pack



The ELEDWP30W is a rugged, durable LED wall pack, which is perfect for outdoor perimeter and area lighting. With a die cast aluminum housing and a vandal resistant, borosilicate glass lens, the ELEDWP30W will stand up to many years of punishing environmental conditions. High-efficacy, long-life LEDs provide both energy and maintenance cost savings compared to traditional, HID wall packs.

#### FEATURES

- Rugged, durable die cast aluminum housing
- Vandal resistant, borosilicate glass lens
- High-efficacy, long-life LEDs
- Energy and maintenance cost savings
- 1kV Surge Protection
- RoHS Compliant
- IP65 Rating
- Wet Location Rating
- 30 Watt LED
- 108 Lumens Per Watt
- 4000K Color Temperature
- 5000K Color Temperature
- 3,243 Lumens (4K)
- 3,316 Lumens (5K)
- 9 3/4" x 8 1/16" x 5 lbs.

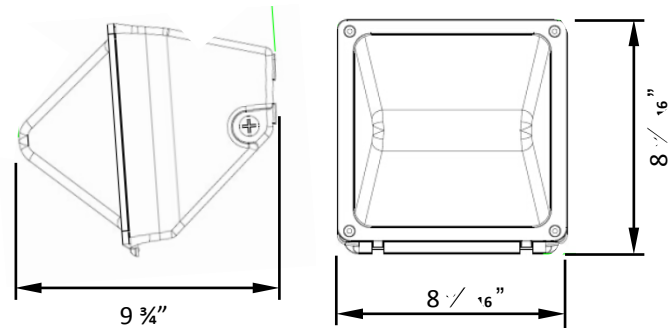
\*Contact factory for other color temperatures and lumen packages.  
 \*\*L70 hours are IES TM-21-11 calculated hours.



#### WARRANTY & LISTINGS

- 5 Year Limited Warranty
- UL Listed
- DLC Listed
- ETL Listed
- IES TM-21-11
- RoHS Compliant
- IP65 Rating
- Wet Location Rating

#### DIMENSIONS



Weight: 5 lbs.

Model	Luminaire Watts	Luminaire Lumens	Lumens Per Watt	Color Temperature
ELEDWP30W-4K	30	3,243	108	4K = 4000k
ELEDWP30W-5K	30	3,316	111	5K = 5000k

## ELECTRICAL

Model	Color Temperature	CRI <sup>1</sup>	Luminaire Lumens	Luminaire Watts	Lumens Per Watt	Input Voltage	Input Current (A)			Power Factor	THD <sup>2</sup>	L <sub>70</sub> Hours <sup>3</sup>
							120V	240V	277V			
ELEDWP30W-4K	4000k	> 70	3,243	30	108	120-277 (50-60Hz)	0.25	0.13	0.11	> 90%	< 20%	69,000
ELEDWP30W-5K	5000k	> 70	3,316	30	111	120-277 (50-60Hz)	0.25	0.13	0.11	> 90%	< 20%	69,000

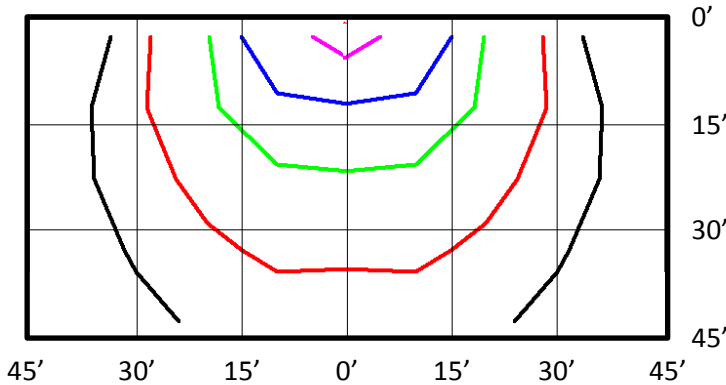
<sup>1</sup> Color rendering index

<sup>2</sup> Total harmonic distortion

<sup>3</sup> L<sub>70</sub> refers to the number of hours at which lumen output declines to 70% of the initial level. L<sub>70</sub> hours are IES TM-21-11 calculated hours.

## PHOTOMETRIC DATA

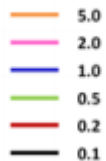
### ELEDWP30W-5K (3,316 Lumens)



#### Notes:

- Isofootcandle plots depict initial footcandles at grade.
- Gridlines represent units of mounting height of 15 feet.

#### Foot Candles



### BUG Rating: B1-U3-G3

Zone	Lumens	%
FL - Front - Low (0-30)	301	9%
FM - Front - Medium (30-60)	923	28%
FH - Front - High (60-80)	648	20%
FVH - Front - Very High (80-90)	290	9%
<b>Total Forward Light</b>	<b>2,162</b>	<b>65%</b>
BL - Back - Low (0-30)	220	7%
BM - Back - Medium (30-60)	291	9%
BH - Back - High (60-80)	94	3%
BVH - Back - Very High (80-90)	19	1%
<b>Total Back Light</b>	<b>624</b>	<b>19%</b>
UL - Up Light - Low (90-100)	228	7%
UH - Up Light - High (100-180)	302	9%
<b>Total Up Light</b>	<b>530</b>	<b>16%</b>
<b>Total Lumens</b>	<b>3,316</b>	<b>100%</b>