

Job Name: _____

Type: _____

Part #: _____

Notes: _____

LEDWP60W/80W

60 & 80 Watt LED Wall Pack



The ELEDWP60W/80W are rugged, durable LED wall packs, which are perfect for outdoor perimeter and area lighting. With die cast aluminum housings and vandal resistant, borosilicate glass lenses, the ELEDWP60W/80W will stand up to many years of punishing environmental conditions. High-efficacy, long-life LEDs provide both energy and maintenance cost savings compared to traditional, HID wall packs.

FEATURES

- Available in 4000k (neutral white) and 5000k (cool white) color temperatures.*
- Long-life LEDs provide 59,000 hours of operation (LEDWP60W), or 57,000 hours of operation (LEDWP80W) with at least 70% of initial lumen output (L70).**
- Uniform illumination with no visible LED pixilation.
- Universal 120-277 AC voltage (50-60Hz) is standard.
- Power factor > 0.90.
- Total harmonic distortion < 20%.
- Color rendering index > 70.
- Die cast aluminum housing with durable, dark bronze, powder coat paint.
- Tempered, borosilicate glass lens with seamless, silicone gasket to prevent leaks.
- Removable, threaded plugs for side attachment of 1/2" rigid electrical conduit, or for button photocells.
- Easy installation in new construction or retrofit.
- LEDWP60W models deliver 6,990 lumens and 115 lumens per watt (LPW) at 4000k, or 7,231 lumens and 119 LPW at 5000k.*
- LEDWP80W models deliver 9,803 lumens and 126 LPW at 4000k, or 9,953 lumens and 128 LPW at 5000k.*

*Contact factory for other color temperatures and lumen packages.

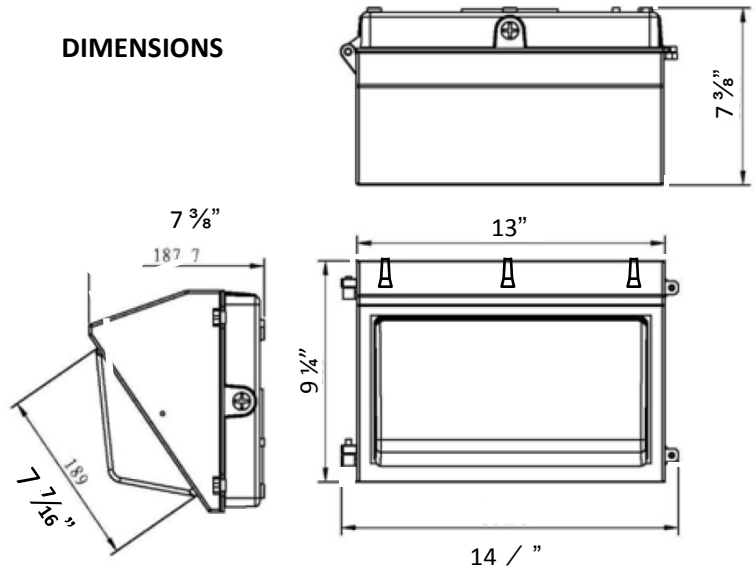
**L70 hours are IES TM-21-11 calculated hours.



WARRANTY & LISTINGS

- cULus listed for wet locations (-30°C to 40°C / -22°F to 104°F).
- IP65 rated.
- DLC standard approved.
- 5-year warranty on all electronics and housing.

DIMENSIONS



Weight: 11 lbs.

Model	Luminaire Lumens	Luminaire Watts	Lumens Per Watt	Color Temperature	Housing Color	Input Voltage	Options
LEDWP60W-4K		61	6,990	115			4K = 4000k
LEDWP60W-5K		61	7,231	119			5K = 5000k
LEDWP80W-4K		78	9,803	126			4K = 4000k
LEDWP80W-5K		78	9,953	128			5K = 5000k

07.2019

ELECTRICAL

Model	Color Temperature	CRI ¹	Luminaire Lumens	Luminaire Watts	Lumens Per Watt	Input Voltage	Input Current (A)			Power Factor	THD ²	L ₇₀ Hours ³
							120V	240V	277V			
ELEDWP30W-4K	4000k	> 70	3,243	30	108	120-277 (50-60Hz)	0.25	0.13	0.11	> 90%	< 20%	69,000
ELEDWP30W-5K	5000k	> 70	3,316	30	111	120-277 (50-60Hz)	0.25	0.13	0.11	> 90%	< 20%	69,000

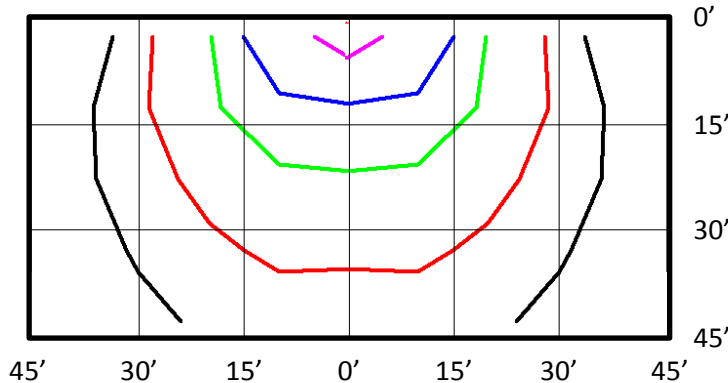
¹ Color rendering index

² Total harmonic distortion

³ L₇₀ refers to the number of hours at which lumen output declines to 70% of the initial level. L₇₀ hours are IES TM-21-11 calculated hours.

PHOTOMETRIC DATA

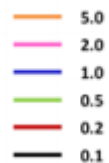
ELEDWP30W-5K (3,316 Lumens)



Notes:

- Isofootcandle plots depict initial footcandles at grade.
- Gridlines represent units of mounting height of 15 feet.

Foot Candles



BUG Rating: B1-U3-G3

Zone	Lumens	%
FL - Front - Low (0-30)	301	9%
FM - Front - Medium (30-60)	923	28%
FH - Front - High (60-80)	648	20%
FVH - Front - Very High (80-90)	290	9%
Total Forward Light	2,162	65%
BL - Back - Low (0-30)	220	7%
BM - Back - Medium (30-60)	291	9%
BH - Back - High (60-80)	94	3%
BVH - Back - Very High (80-90)	19	1%
Total Back Light	624	19%
UL - Up Light - Low (90-100)	228	7%
UH - Up Light - High (100-180)	302	9%
Total Up Light	530	16%
Total Lumens	3,316	100%