

EMRHLED

LED MINI INDOOR THERMOPLASTIC REMOTE HEAD

ILLUMINATION

- Adjustable, long lasting, efficient, ultra bright white LED lamp heads.
- One, 0.5 watt white LED per lamp head
- Unique all-inclusive lamp, reflector and lens assembly.

ELECTRICAL

- Powered from low voltage power source with low voltage wiring (not provided).

MOUNTING

- Universal mounting adapter plate included. Mounts to single-gang switch box.
- Distance of maximum run is determined by system voltage, wire gauge and total maximum wattage on the run.
- Suitable for wall or ceiling mount.

HOUSING

- Injection-molded, engineering grade, 5VA flame retardant, high-impact resistant, thermoplastic in white or black finish.

WARRANTY / LISTING

- Five year warranty.
- UL Listed with approved Best Lighting Products.
- Meets UL924, NFPA 101 Life Safety Code, NEC, OSHA, Local and State Codes.

ORDERING INFORMATION

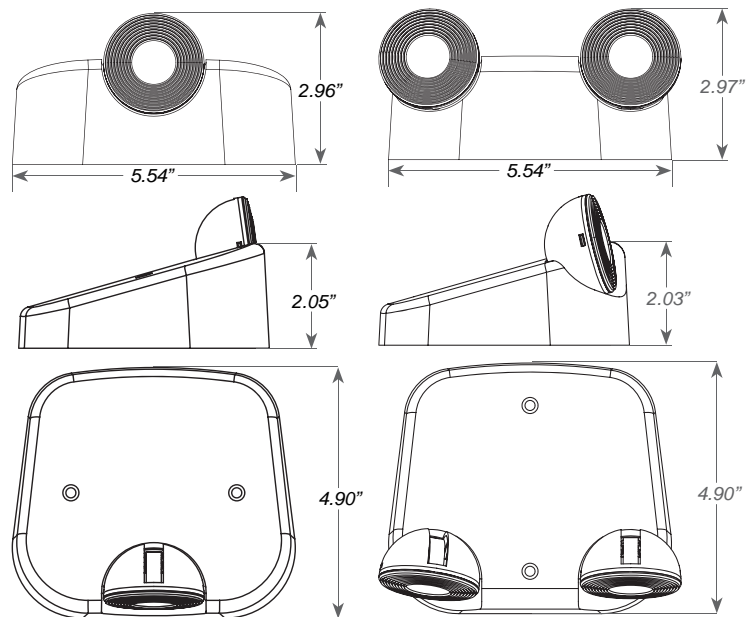
PRODUCT NUMBER: **EMRHLED** No. of HEADS: _____ HC: _____ VOLTAGE: _____

MODEL	No. of HEADS	HOUSING COLOR	VOLTAGE
EMRHLED	1 Single Head	(blank) White	3.6V For Use With 3.6V DC Power Source
	2 Double Head	B Black	

¹ Wattage rating stated per head.



DIMENSIONS



FIXTURE COMPATIBILITY CHART

Reference individual unit equipment specification sheets for remote load capacity availability.

MODEL TYPE	3.6V
CKXTEU-RC	X
LEDR-5HO	X
E-1-RC	X
CEU-RC	X
CTXTE-RC	X