

ELED1505 LED Surface Mount Light

Architectural design incorporated with high performance LED light engine, This luminaire performs efficiently and steadily in any given environment. Uniform light distribution is delivered through a frosted diffuser. It is ideally used for condos, apartments, hotels, porches, and is suitable for indoor and outdoor spaces to replace old-fashioned incandescent Jelly Jars.

Optional Kelvin color* with adder.



Optional photo control

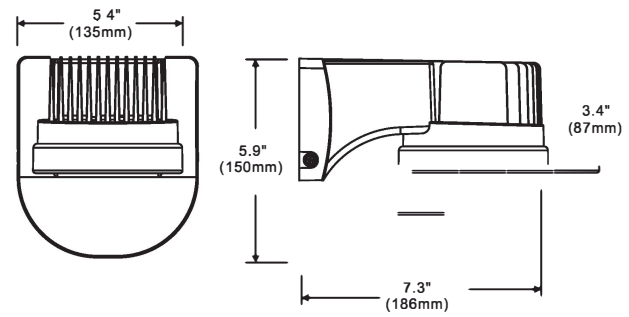


Quick mount

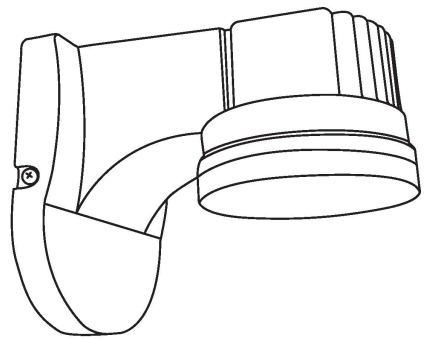
FEATURES

- LISTING:**
UL and CUL listed for wet locations
- HOUSING:**
Die-cast aluminum body
- LEDS:**
New generation COB technology
- FINISH:**
UV stabilized powder coated finish
- LENS:**
High - impact polycarbonate diffuser
- OPTIONS:**
Optional photo control-120V only with adder Finish - Bronze.
Color option with adder
- Installation:**
Quick mount installation

DIMENSIONS



LINE DRAWING



ORDERING INFORMATION

Model No.	System watts	Lumen Output	Color	MA	Input Voltage	CRI	Starting Temp	Equivalent
ELED-1505	12	1400 lm**	5000 K	300MA	120~277V	70+	-40°C	50W MH