

EBAL500TD

FLUORESCENT EMERGENCY BALLAST 500 LUMENS

STANDARD



ILLUMINATION

- Works with or without an AC ballast to convert new or existing fluorescent fixtures in to unobtrusive emergency lighting.
- Operates one lamp in the emergency mode for a minimum of 90-minutes.
- Provides a maximum initial lumen output of 500 lumens.

ELECTRICAL

- Dual 120/277 voltage.
- Charge rate/power "ON" LED indicator light and push-to-test switch for mandated code compliance testing.
- 2.4V long life, maintenance-free, rechargeable sealed NiCd battery.
- Internal solid-state transfer switch automatically connects the internal battery to fluorescent lamp for minimum 90-minute emergency illumination.
- Fully automatic solid-state, two rate charger initiates battery charging to recharge a discharged battery in 24 hours.
- Time delay enhancement to overcome end-of-life circuit protection.

MOUNTING

- Suitable for installation inside, on top or in remote* of the fixture.
- Can be used in both switched and unswitched fixtures.
- UL Listed for factory or field installation.

HOUSING

- Durable painted steel construction in white finish.
- Compact design fits most fluorescent fixtures.

LAMP COMPATIBILITY CHART

* When battery packs are remote mount-ed, the remote distance cannot exceed 1/2 of the distance from ballast to lamp speci-fied by the A.C. ballast manufacturer. The maximum allowable remote mounting distance is 50 feet.



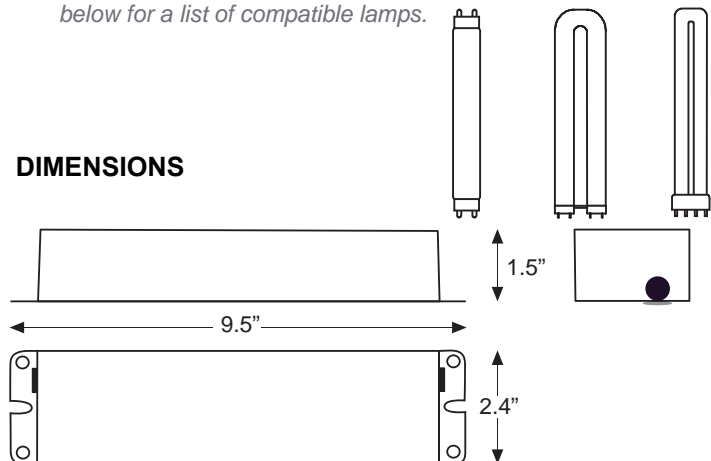
LED Test switch included.

WARRANTY/LISTING

- Five year warranty against defects in material and workman-ship (lamps excluded).
- Meets UL924, NFPA 101 Life Safety Code, NEC, OSHA, Local and State Codes.
- UL Listed for damp locations (0°C – 50°C).
- Suitable for use in sealed and gasketed fixtures.

LAMP COMPATIBILITY

- Compatible with most one-, two-, three-, and four-lamp electronic, standard and dimming AC ballasts.
- Operates one T5, T5HO, T8, T12, Circular T5/T9, U-bend T8/T12, 4-Pin CFL and long CFL lamp in emergency mode. Refer to the chart below for a list of compatible lamps.



LAMP TYPE	WATTS	INITIAL LUMENS	LAMP TYPE	WATTS	INITIAL LUMENS	LAMP TYPE	WATTS	INITIAL LUMENS
		1-Lamp			1-Lamp			1-Lamp
T5	21	450	T8	2	500	Circular T9	20	25
T5	28	500	T12	25	400	Circular T9	2	50
T5HO	24	475	T12	0	425	Circular T5	22	75
T8	25	75	T12	4	450	U-Bend T8	2	425
T8	28	425	CFL 2G11	6	75	U-Bend T12	4	75