

ECALEDCXTEU

Chicago Approved Steel LED Exit & Emergency Combo



ILLUMINATION

- Long lasting, energy efficient white LED exit sign illumination
- Single or double face configuration
- Two 6V 5.3W adjustable white LED lamp heads

ELECTRICAL

- Dual 120/277 voltage standard
- Charge rate/power "ON" LED indicator light and push-to-test switch for mandated code compliance testing
- 6V sealed lead acid, maintenance-free, rechargeable battery
- LVD (low voltage disconnect) prevents battery from deep discharge
- Internal solid-state transfer switch automatically connects the internal battery to LED board and LED lamp heads for minimum 120 minute emergency illumination
- Fully automatic solid-state, two-rate charger initiates battery charging to recharge a discharged battery in 24 hours
- Remote capacity 10W available

HOUSING

- Durable 20-gauge steel housing
- Neutral white finish or black finish

WARRANTY & LISTINGS

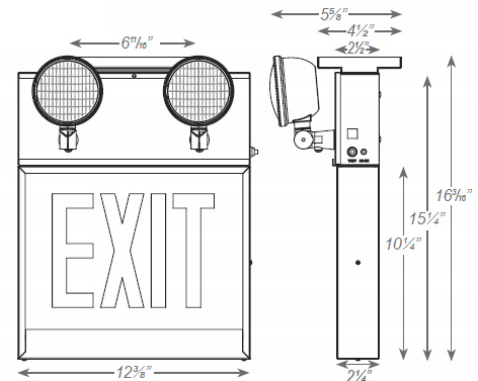
- Five year warranty on all electronics and housing
- Battery pro-rated for two years.
- Meets UL924, NFPA 101 Life Safety Code, NEC, OSHA, Local and State Codes
- UL listed for damp locations (20°C – 50°C)



MOUNTING OPTIONS

- Mounting canopy included for top or end mount
- Universal K/O pattern on back plate for wall mount

DIMENSIONS



ORDERING INFORMATION:

M:	#FACES:	L:	HC:	OPTIONS:	SIGNAGE:	DIRECTIONAL ARROW:
MODEL	# FACES	LETTER	HOUSING COLOR	OPTIONS	SIGNAGE	DIRECTIONAL ARROW
ECALEDCXTEU	1 = SINGLE FACE 2 = DOUBLE FACE	R = RED	W = WHITE B = BLACK	RC = REMOTE CAPACITY	BLANK = EXIT SW = STAIRS	ENA = EXIT, no arrow EDA = EXIT, double arrow ELA ¹ = EXIT, left arrow ERA ¹ = EXIT, right arrow ELARA ² = EXIT, left/right arrow ESWDA = STAIRS, double arrow ESWNA = STAIRS, no arrow ESWRA ¹ = STAIRS right arrow ESWLA ¹ = STAIRS, left arrow ESWLARA ² = STAIRS, left/right arrow Notes: ¹ Available in single face configuration only ² Available in double face configuration only