

## ELEDH-680IC

### 6" IC Type LED Housing For Sloped Ceiling

#### DESCRIPTION

Designed for sloped ceiling installations for ceilings from 2/12 to 6/12 pitch. The lamp aiming mechanism allowing to be aimed straight down regardless of ceiling pitch. The LEDH-680IC is designed for insulated ceilings and can be in direct contact with ceiling insulation.

#### DESIGN FEATURES

##### Junction Box

- Listed for through branch circuit wiring. (Max. 8 No 12 AWG 90°C branch circuit conductors.)
- (5) 1/2" knockouts with true pry-out slots and (4) knockouts with Romex cable clamp.
- Ground wire provided on J-box.
- Provided listed quick connectors for easy snap-in wires. (Optional)

##### Bar Hangers

- 24" Bar Hangers provide stability and support on joists and T-Bar Grid ceilings.
- Housing can be positioned at any point within 24" joist span.
- Score lines allow "toolless" shortening for 12" joists.

**Heat Sink** Aluminum extruded Heat sink designed to facilitate heat dissipation to reduce LED junction temperature for maintaining constant light output, color and life of solid state components.

**Trims** Available with baffle trims in white or black painted and haze clear reflectors.

##### LED Engine

- Heat sink designed by computer simulation and aluminum board for low heat operation.
- Lumen Maintenance: L70/50, 70% lumens/50,000 hours
- Module construction includes LED, heat sink and lens.

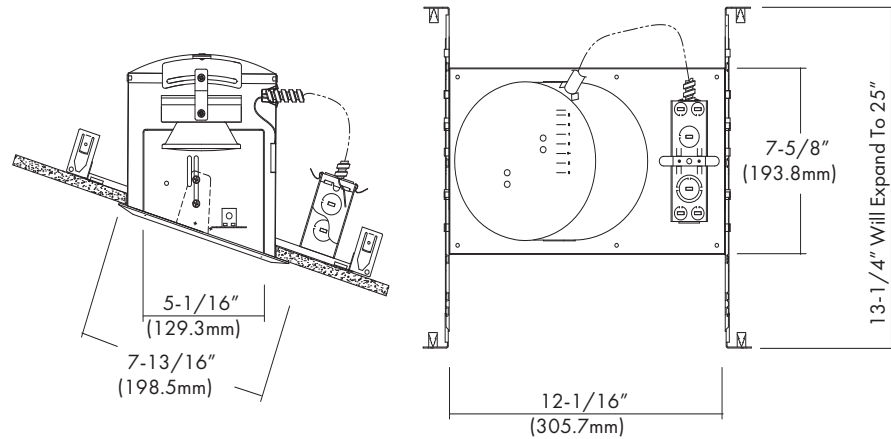
##### LED POWER SUPPLY

- Include 120~277V input high efficacy driver with the capability to dim using a Triac 120V low voltage electronic dimmer switch.
- Driver feature power factor >.90, THD <20% and has integral thermal protection to sense over temperature or internal failure.
- Driver mounts externally to the module, allowing future replacement, if needed.
- Consult with factory for optional 0~10V analog dimmable driver.

##### Warranty

- 50,000hr of lamp life.

**Listing** ETL Listed.



Ceiling Cut-out: 7-1/16" X 6-7/8"

SPECIFICATIONS	
LED Quantity	1 EA (COB)
Input Voltage	120V~277V AC
Wattage (+/-5%)	14W      23W
Lumen (+/-5%)	838      1,489
Efficacy(LPW)	59.9      57.3
Color (+/-5%)	2700K, 3000K, 4000K
CRI (Typical)	80
Beam Angle	Avail.
Dimming	Triac (Standard), 0-10V
Lamp Life	50,000hr
Environment	Indoor

##### 120V Approved Dimmers

- \* Lutron: NovaT(Ntelv300&600)  
Diva (Dvelv-300P&303P)
- \* Leviton: Acenti: Ate06-1Lw
- \* Leviton Trimatron #705W(incandescent)

## TRIMS & PHOTOMETRIC REPORT

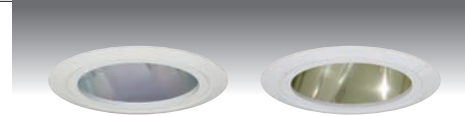
For ELEDH-680IC

6" LED

### TRIMS

#### ELEDT-S65

**Slope Reflector**  
 haze clear reflector (-HC)  
 pewter reflector (-PR)  
 champagne reflector (-CP)  
 white painted reflector (-WH)  
 O.D : 4-7/8"



ELEDT-S65-HC

ELEDT-S65-CP

#### ELEDT-S62

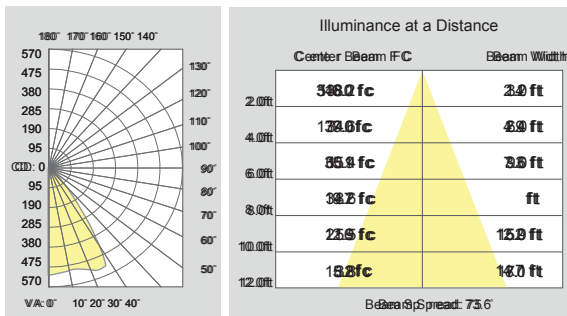
**Slope Baffle**  
 white baffle (-WH)  
 black baffle (-BK)  
 O.D : 4-7/8"



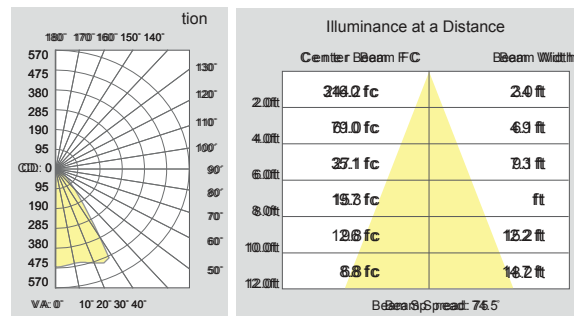
ELEDT-S62-WH

ELEDT-S62-BK

### PHOTOMETRIC REPORT



[ELEDH-680IC-14+ELEDT-S65]



[ELEDH-680IC-23+ELEDT-S65]

### ORDERING INFORMATION

Housing	Watts	Color Temp.	Driver	Trim	Reflector Finish	Baffle Finish for LEDT-S62
ELEDH-680IC	-14 : 14W -23 : 23W	-27 : 2700K -30 : 3000K -40 : 4000K	-UTD : 120~277V Triac Dimming (Standrd)  -UZTD : 120~277V, 0-10V, 1-100% Dimming  *Option -EM : Emergency battery backup	-LEDT- S65 -LEDT- S62	-HC : haze clear -WH : white painted  *Consult with factory for custom finishes	-WH : White -BK : Black

Example : ELEDH-680IC-14W-30

Example : ELEDT-S65-HC-WH