

ELEDSL15W

15 Watt LED Landscape Security / Flood Light



The ELEDSL15W landscape security / flood light is an ideal solution for general site, landscape, sign and pathway lighting. With a die cast aluminum housing, and a polycarbonate lens with seamless silicone gasket to prevent leaks, the ELEDSL15W will stand up to many years of punishing environmental conditions. High-efficacy, long-life LEDs provide both energy and maintenance cost savings compared to traditional, incandescent landscape lights.

FEATURES

- Available in 3000k (warm white) & 5000k (cool white) color temperatures.*
- Long-life LEDs provide 69,000 hours of operation with at least 70% of initial lumen output (L₇₀).**
- Delivers 1,536 lumens (102 lumens per watt, LPW) at 3000k, and 1,700 lumens (113 LPW) at 5000k.*
- Narrow beam spread is standard. Medium beam spread is available by special order (contact factory for details).
- Universal 100-277 AC voltage (50-60Hz) is standard.
- Power factor > 0.90.
- Total harmonic distortion < 20%.
- Color rendering index > 80.
- Die cast aluminum housing with durable, dark bronze, powder coat paint.
- Polycarbonate lens.
- Several mounting options provide easy installation in new construction or retrofit. Yoke-mounted models available by special order (contact factory for details).

WARRANTY & LISTINGS

- cULus listed for wet locations (-20°C to 40°C / -4°F to 104°F).
- IP65 rated.
- DLC approved.
- Complies with EN61000-4-5, surge immunity test (1kV).
- 5-year warranty on all electronics and housing.

ORDERING INFORMATION

Model	Luminaire Watts	Luminaire Lumens	Lumens Per Watt	Color Temperature	Beam Spread	Mounting Options (Order Separately)
ELEDSL15W-K	15	1,536	102	3K = 3000k	30 = Narrow	Spike-Mount = LEDSL-BS
	15	1,700	113	5K = 5000k	30 = Narrow	Canopy-Mount = LEDSL-CMB



MOUNTING OPTIONS

- Threaded pipe (NPS 1/2"), which attaches to a junction box, is standard.
- Optional spike-mount (ELEDSL-BS) for ground mounting.
- Optional canopy-mount (ELEDSL-CMB) for attachment to flat surfaces.

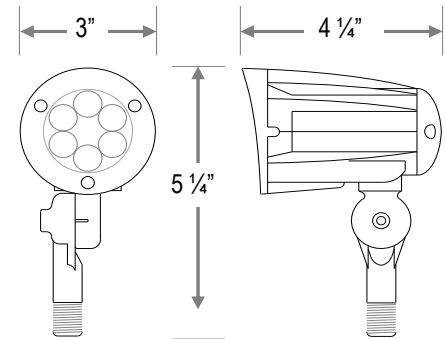


Spike-Mount
(ELEDSL-BS)



Canopy-Mount
(ELEDSL-CMB)

DIMENSIONS



ELECTRICAL

Model	Color Temp.	CRI ¹	Luminaire Lumens	Luminaire Watts	Lumens Per Watt	Input Voltage ²	Input Current (A)			Power Factor	THD ³	L ₇₀ Hours ⁴
							120V	240V	277V			
ELED15W-K-3K-30	3000k	> 80	1,536	15	102	120-277	0.13	0.06	0.05	> 0.90	< 20%	69,000
ELED15W-K-5K-30	5000k	> 80	1,700	15	113	120-277	0.13	0.06	0.05	> 0.90	< 20%	69,000

¹ Color rendering index.

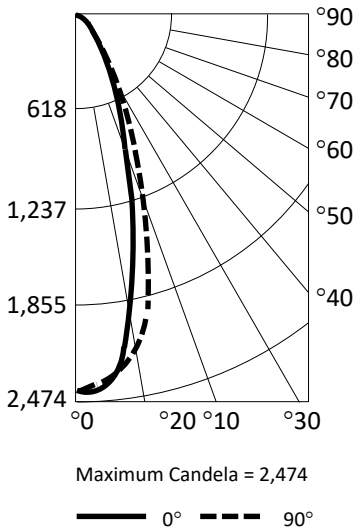
² All 50-60Hz.

³ Total harmonic distortion.

⁴ L₇₀ refers to the number of hours at which lumen output declines to 70% of the initial level. L₇₀ hours are IES TM-21-11 calculated hours.

PHOTOMETRIC DATA

ELED15W-K-5K-30 (1,700 Lumens)



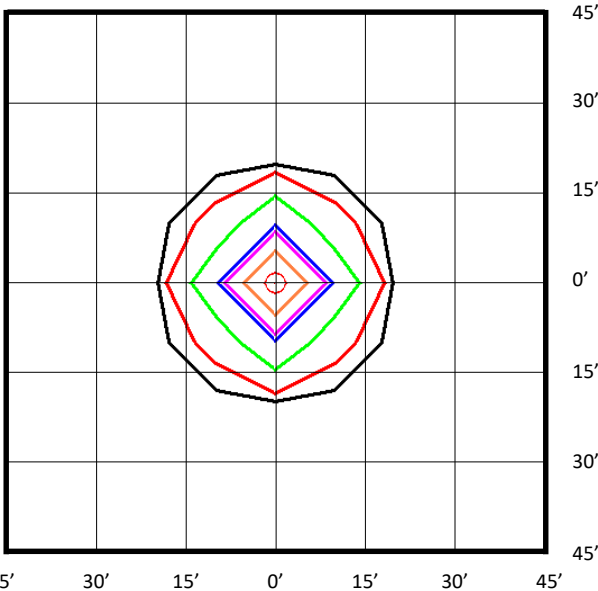
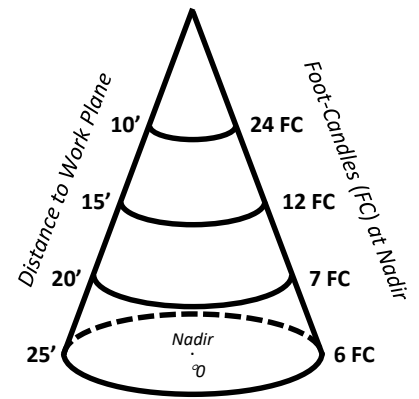
Candlepower Summary

	°0	°90
°0	2,429	2,429
°10	2,458	2,419
°20	2,423	2,366
°30	2,261	2,199
°40	1,765	1,745
°50	1,165	1,189
°60	760	794
°70	517	539
°80	383	392
°90	289	293

Zonal Lumen Summary

Zone	Lumens	% Fixture
°10 – °0	221	13.0%
°20 – °0	697	41.0%
°30 – °0	1,087	64.0%
°40 – °0	1,346	79.2%
°50 – °0	1,520	89.4%
°60 – °0	1,623	95.5%
°70 – °0	1,674	98.5%
°80 – °0	1,694	99.7%
°90 – °0	1,699	99.9%
°180 – °90	1	0.1%
°180 – °0	1,700	100.0%

Cone of Light



Foot Candles



Notes:

- Isofootcandle plots depict initial footcandles at grade.
- Gridlines represent units of mounting height of 15 feet.

Luminaire Orientation

