

ENYEX

NEW YORK CITY COMPLIANT STEEL EXIT SIGN



ILLUMINATION

- Ultra bright, energy efficient, long life Red LEDs.
- New York City compliant 8" EXIT letters.

ELECTRICAL

- Dual 120/277 voltage.
- Charge rate/power "ON" LED indicator light and push-to-test switch for mandated code compliance testing.
- 3.6V long life, maintenance-free, rechargeable NiCd battery (EM models only).
- Internal solid-state transfer switch automatically connects the internal battery to LED board for minimum 90-minute emergency illumination.
- Fully automatic solid-state, two rate charger initiates battery charging to recharge a discharged battery in 24 hours.

MOUNTING

- Aluminum mounting canopy included for top or end mount.
- Universal knockout pattern on back plate for wall mount.
- Knockout provided for conduit feed applications.

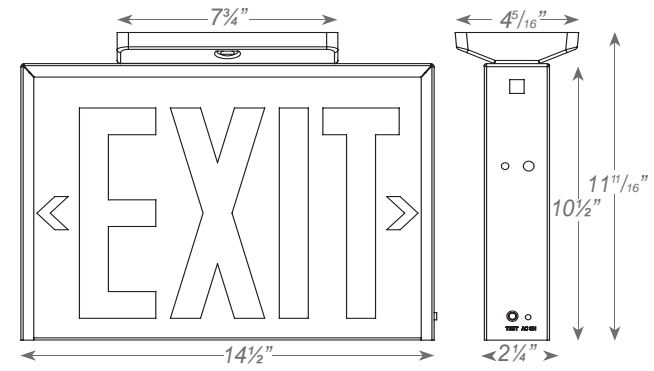
HOUSING

- Durable, powder-coated 20-gauge steel construction in white or black finish.
- Unique design allows double face conversion in the field.
- Field removable steel knockout Chevron directional indicators.

WARRANTY/LISTING

- Five year warranty on all electronics and housing. Battery prorated for five years.
- Meets UL924, NFPA 101 Life Safety Code, NEC, OSHA, Local and State Codes.
- Certified to CEC under Title 20 Regulations.

DIMENSIONS



ORDERING INFORMATION

PRODUCT NUMBER: ENYEX		No. of FACES:		LC:		HC:		B:	
MODEL	No. of FACES	LETTER COLOR		HOUSING COLOR		BATTERY			
ENYEX	3	R	Red	W	White	(blank)			
	Universal Single/Double Face			B	Black	EM	Battery Backup		