

## EPFS80Q

### EasyLED Reveal Open Large Square Post Top



The LEPG EPFS80Q Reveal Architectural Open Large Square Post Top is available in Type III or V distributions with two lens options designed to replace HID lighting systems up to 1000w MH or HPS. The fixture mounts to a pole top tenon. Typical area lighting applications include parking areas, walkways, and street lighting applications. Mounting heights of 12 to 30 feet can be used based on light level and uniformity requirements.

#### Specifications and Features:

**Housing:** Die Cast Aluminum Housing, Integral Heat Sinking, Photocell Adaptable.

**Listing & Ratings:**

**CSA:** Listed for Wet Locations, ANSI/UL 1598, 8750; IP66 Sealed LED Compartment.

**Finish:** Black Powdercoat Finish Over a Chromate Conversion Coating. Custom Colors Available Upon Request.

**Lens:** Clear Polycarbonate or SoftLED LumaLens Opal Polycarbonate Vandal-Resistant Array

Lens to Seal LED Array

**Mounting Options:** Accommodates "P3" 2 $\frac{7}{8}$ " O.D. x 3" Tenons

EasyLED LED: Aluminum Boards

#### Wattage:

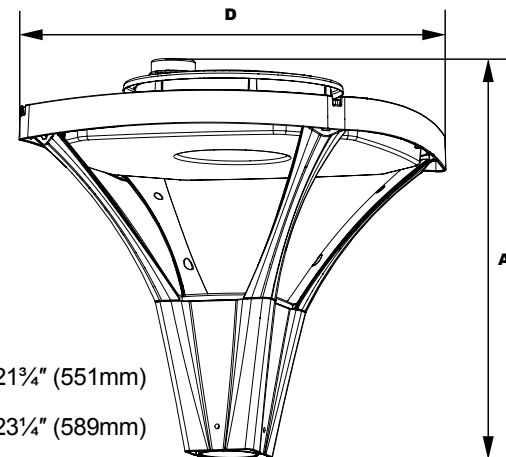
100w Array: 100w, System: 108w; (150-250w HID Equivalent)

176w Array: 176w, System: 190w; (400-1000w HID Equivalent)

**Driver:** Electronic Driver, 120-277V, 50/60Hz or 347-480V, 50/60Hz; Less Than 20% THD and PF>0.90. Standard Internal Surge Protection 6kV. 0-10V Dimming Standard for a Dimming Range of 100% to 10%; Dimming Source Current is 150 Microamps.

**Controls:** Fixtures Ordered with Factory-Installed Photocell or Motion Sensor Controls are Internally Wired for Switching and/or 1-10V Dimming Within the Housing. Remote Direct Wired Interface of 1-10V Dimming is Not Implied and May Not Be Available, Please Consult Factory. Fixtures are Tested with LEPG Controls and May Not Function Properly With Controls Supplied By Others. Fixtures are NOT Designed for Use with Line Voltage Dimmers.

**Warranty:** 5-Year Warranty for -40°C to +50°C Environment.



#### Dimensions

**Width (D)** 21 $\frac{3}{4}$ " (551mm)

**Height (A)** 23 $\frac{1}{4}$ " (589mm)

#### Ordering Information:

Model	Optics	Wattage	Driver	CCT	Lens	Color	Options
<b>Model</b> EPFS80Q=	<b>Optics</b> C=Type III* F=Type V	<b>Wattage</b> 1X100=100w 1X176=176w	<b>Driver</b> U=120-277V H=347-480V	<b>CCT</b> 4K=4000K 5K=5000K	<b>Lens</b> C=Clear Polycarbonate Array Lens L=SoftLED LumaLens Opal Polycarbonate Array Lens	<b>Color</b> B=Black C=Custom (Consult Factory)	<b>Options</b> SF=Single Fuse DF=Double Fuse SP=Surge Protection S2=Microwave Sensor with Dimming for Mounting Heights of 8 to 40'. (120-277V Only) R3=3-Pin Twist Lock Photocell Receptacle R5=5-Pin Twist Lock Photocell Receptacle R7=7-Pin ANSI C136.41—2013 Twist Lock Photocell Receptacle
EasyLED Reveal Open Large Square Post Top	*100w Model Only						

### Accessories & Replacement Parts:



#### Accessories (Order Separately, Field Installed)

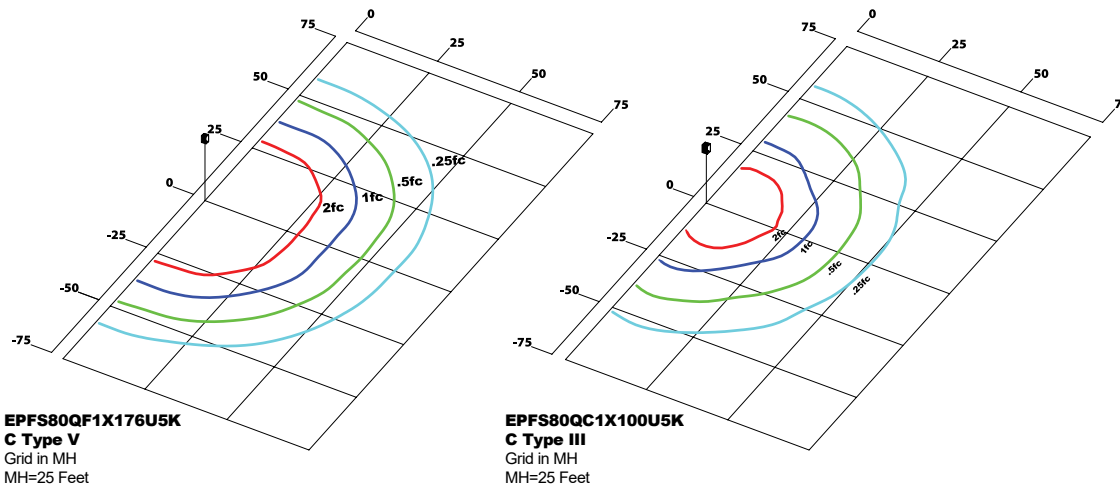
P18131	Twist Lock Non-Shorting (Open) Cap Disconnects Service to Fixture for Temporary or Permanent Disabling (Fixture Always Off). IP65, 480V Maximum.
P18132	Twist Lock Shorting Cap Provides Fixed Service to Fixture (Fixture Always on). IP65, Rated Load 7200w Tungsten.
P18140	110-120VAC Instant Twist Lock Photocell
P18142	105-287VAC Instant Twist Lock Photocell
P18150	120VAC Time Delay Twist Lock Photocell
P18152	277VAC Time Delay Twist Lock Photocell
P18156	120-277VAC Universal Twist Lock Photocell
P18157	480VAC Time Delay Twist Lock Photocell. For 480V use only.

#### Replacement Parts (Order Separately, Field Installed)

PFS80ALL	SoftLED LumaLens Opal Polycarbonate Array Lens
P17117	Internal Microwave Sensor with Dimming for Mounting Heights of 8 to 40'. 120-277VAC, 50/60Hz

EPA (Sq. Ft.)	Weight (Lbs.)
1.70	32 Lbs

### Photometric Data



### EPA (Effective Projected Area)

EPA (Sq. Ft.)	Weight (Lbs.)
1.70	32 Lbs

### Photometric Performance

LED Board Watts	Drive Current (mA)	Input Watts	Optics	5000 CCT 80 CRI					4000 CCT 80 CRI				
				Lumens	LPW	B	U	G	Lumens	LPW	B	U	G
EasyLED 100w	525	108	Type III Clear	7,959	74	2	0	2	7,661	71	2	0	2
EasyLED 176w		190	Type V Clear	19,509	103	4	2	2	19,022	100	4	2	2
			Type V Opal	16,680	88	3	2	2	16,264	85	3	2	1

### Projected Lumen Maintenance

Data shown for 5000 CCT			Compare to MH				
TM-21-11	Input Watts	Initial	25,000 Hrs	50,000 Hrs	100,000 Hrs	Calculated L70@ 25°C	
L70 Lumen Maintenance @ 25°C / 77°F	190	1.00	0.98	0.96	0.92	362,000	
TM-21-11	Input Watts	Initial	25,000 Hrs	50,000 Hrs	100,000 Hrs	Calculated L70@ 50°C	
L70 Lumen Maintenance @ 50°C / 122°F	190	1.00	0.96	0.92	0.84	183,000	
TM-21-11	Input Watts	Initial	25,000 Hrs	50,000 Hrs	100,000 Hrs	Calculated L80@ 40°C	
L80 Lumen Maintenance @ 40°C / 104°F	190	1.00	0.97	0.94	0.88	167,000	