

ERHLED

LED INDOOR THERMOPLASTIC REMOTE HEAD

ILLUMINATION

- Long lasting, efficient, ultra bright white LED lamp heads.
- 1.0 watt (8 LEDs x 0.125 watt) per head.
- High performance chrome-plated metalized reflector and plastic lens for optimal light distribution.
- Adjustable LED lamp heads provide optimal center-to-center spacing.
- Optional high lumen heads are 1.5 watts (12 LEDs x 0.125 watt per head) and provide increased center-to-center spacing.

ELECTRICAL

- Powered from low voltage power source with low voltage wiring (not provided).

MOUNTING

- Universal mounting adapter plate included. Mounts to single-gang switch box.
- Distance of maximum run is determined by system voltage, wire gauge and total maximum wattage on the run.
- Suitable for wall or ceiling mount.

HOUSING

- Injection-molded, engineering grade, 5VA flame retardant, high-impact resistant, thermoplastic in white or black finish.

WARRANTY/LISTING

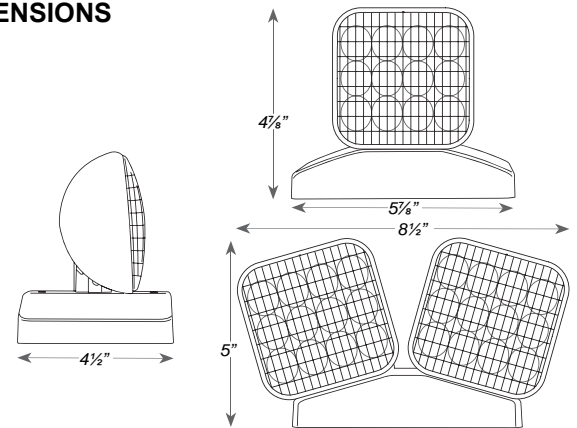
- Five year warranty.
- UL Listed with approved Best Lighting Products.
- Meets UL924, NFPA 101 Life Safety Code, NEC, OSHA, Local and State Codes.

ORDERING INFORMATION

MODEL	No. of HEADS		OPTIONS		VOLTAGE		COLOR		LAMP TYPE	
ERHLED	1	Single Head	(blank)	For Standard Non-Self-Diagnostic Fixtures	MV	For Use With 3.6V, 6V, 9.6V & 12V DC Power Source	(blank)	B Black	(blank)	8 LEDs 1W
	2	Double Head	SDT	For Use With Fixtures With A Self-Diagnostic Option			HL		12 LEDs 1.5W	



DIMENSIONS



FIXTURE COMPATIBILITY CHART

Reference individual unit equipment specification sheets for remote load capacity availability.

BEST LIGHTING MODEL TYPE		
EZXTEU-RC	LEDCXTEU-RC	CXTEU-RC
CLPU	CEU-RC	CKXTEU-RC
LEDR5HO	R-5HO	E-1-RC
R-16HO	RMR-16-65/125	LEDTFX-2
TFX-2	DXR	CADXR
CAR	NYDXR	LEDCADXR
LEDSDXR627	CWLEZXE-RC	RMLEDCXTE-RC
RMCLPU-RC	CALEDCXTE-RC	