

EVR9 LED

Vandal Resistant Linear Luminaire

APPLICATION

The EVR9 series is a premium grade architectural linear fluorescent luminaire that can be wall or ceiling mounted. It is designed to provide the extra level of protection and security required in high occupancy public areas.

FEATURES:

- Heavy gauge marine grade extruded aluminum with die-cast end caps. Includes knockouts for surface conduit and tandem mounting.
- The polycarbonate lens and tamper resistant fasteners for high abuse areas. Also available with occupancy sensors.

MOUNTING:

- Surface wall, ceiling and pendant mount.
- Can be continuous row mounted as needed.

LENS & REFLECTOR:

- UV stabilized polycarbonate lens available in opal, secured by four tamper resistant screws.
- Precision die formed 20 gauge full reflector that also acts as a wire cover with 92% reflectivity.

LED:

- High quality array LEDs.
- LM80
- Color Temperature: 3000/3500/4000/5000 (K)
- Color Rendering Index: > 82.8
- 50,000 hours.

ELECTRICAL:

- High power factor electronic driver, operate from a 120 ~ 277 Vac input range, 50 / 60 Hz.
- Features included over voltage protection, surge, short circuit protection and over load protection.
- Power Factor: typical > 0.95, THD <20, meets Class1 or Class 2 circuit.
- 0-10V dimmable driver as standard.
- 0-10VDC dimming 5%~100%.
- Minimum starting temperature: -4°F (-20°C) ~ 122°F (50°C).

LISTING:

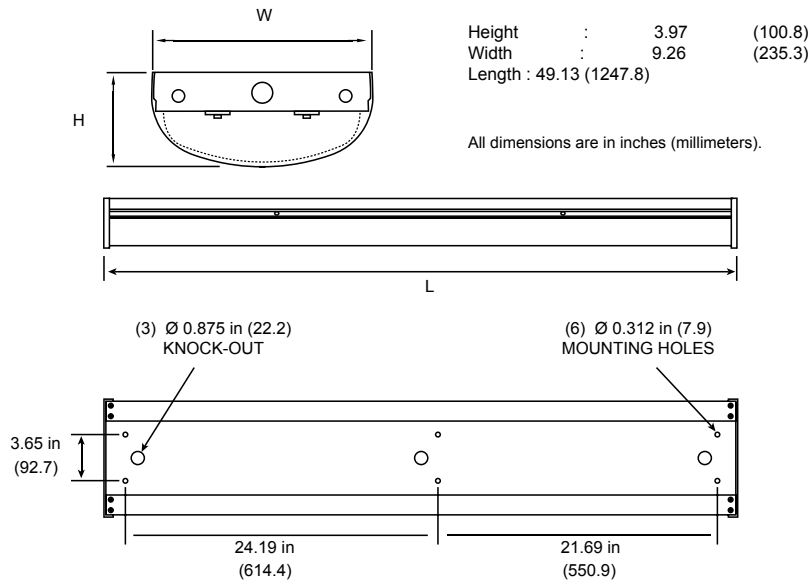
- UL listed.
- Suitable for damp location.
- ARRA compliant.

ORDERING INFORMATION

EVR9	LENGTH	LED	COLOR TEMP.	LENS	VOLTAGE	OPTIONS
MODEL	LENGTH	LED	COLOR TEMP.	LENS	VOLTAGE	OPTIONS
EVR9	4 4' Length	36LED 36W LED 40LED 40W LED 54LED 54W LED	/30 3000K /35 3500K /40 4000K (Std.) /50 5000K	(Blank) Opal (Std.)	UNV 120-277V(Std.) 120 120V 277 277V 347 347V	EM7 7W Emergency Battery Pack ^{1,2,3} EM10 10W Emergency Battery Pack ^{1,2,3} HFMS High Frequency Sensor ⁴ WMS Motion Sensor for Wet Location Use



SPECIFICATIONS :



CONFIGURATIONS				
SIZE	LED WATTS	COLOR TEMP.	NOMINAL OUTPUT (lm)	CRI
4'	36W	4000K	3985 LM +	> 82.8
	40W		4428 LM +	
	54W		5977 LM +	