

## EWPC15Q

### AmberLED Garage Lighter



The LEPC AmberLED WPC15Q Full Cut-off wall mount luminaire is available with a shielded IES Type V distribution, and is certified by the Florida Fish & Wildlife Conservation Commission (FWC) for wildlife applications that are directly visible from the shore requiring monochromatic AMBER light. LEDs operate between 585 and 595 nm, greater than 560nm required by FWC. Typical applications include retail centers, hotels, residential, parks, schools and universities, office buildings and medical facilities. Mounting heights of up to 12 feet can be used based on light level and uniformity requirements.

#### Specifications and Features:

**Housing:** Die Cast Hinged and Gasketed Aluminum Front Frame and Housing with 1/2" Coin Plugs. Nickel-Plated Stainless Steel Hardware. Photocell Adaptable. Includes Full Baffle Required to Maintain FWC Certification.

#### Listing & Ratings:

**CSA:** Listed for Wet Locations, ANSI/UL 1598, 8750; IP65 Sealed LED Compartment.

**Finish:** Textured Architectural Bronze Powdercoat Finish Over a Chromate Conversion Coating. Custom Colors Available Upon Request.

**Lens:** Tempered Clear Flat Glass Lens.

**Mounting Options:** Cast-in Template for Mounting Directly Over a 4" Recessed Outlet Box, or Use 1/2" Surface Conduit.

**AmberLED:** Aluminum Boards

**Wattage:** Array: 37w, System: 40w; (250w HID Equivalent)

**Driver:** Electronic Driver, 120-277V, 50/60Hz; Less Than 20% THD and PF>0.90. Standard Internal Surge Protection 6kV. 0-10V Dimming Standard for a Dimming Range of 100% to 10%; Dimming Source Current is 150 Microamps.

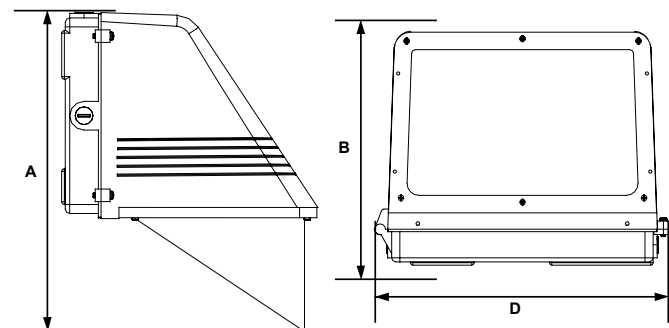
**Controls:** Fixtures Ordered with Factory-Installed Photocell or Motion Sensor Controls are Internally Wired for Switching and/or 1-10V Dimming Within the Housing. Remote Direct Wired Interface of 1-10V Dimming is Not Implied and May Not Be Available, Please Consult Factory. Fixtures are Tested with LEPC Controls and May Not Function Properly With Controls Supplied By Others. Fixtures are NOT Designed for Use with Line Voltage Dimmers.

**Warranty:** 5-Year Warranty for -40°C to +40°C Environment.



#### Dimensions

<b>Width (D)</b>	14 1/4" (361mm)
<b>Length (B)</b>	11 3/8" (289mm)
<b>Height (A)</b>	14" (356mm)



#### Order Information:

Model	Optics	Wattage	Driver	CCT	Lens	Color	Options	Shield
<b>Model</b>	<b>Optics</b>	<b>Wattage</b>	<b>Driver</b>	<b>CCT</b>	<b>Lens</b>	<b>Color</b>	<b>Options</b>	<b>Shield</b>
EWPC15Q= AmberLED Constellation Medium Full Cutoff Wall Pack	F=Type V	1X37=37w	U=120-277V	AM=Amber	C=Clear Flat Glass Lens	Z=Bronze C=Custom (Consult Factory)	SF=Single Fuse DF=Double Fuse SP=Surge Protection PC1=Photocell, 120VAC PC3=Photocell, 120-277VAC BU=Battery Backup, 90 Minutes	BF=Baffle

## Accessories & Replacement Parts:



P18100 &  
P18103

### Replacement Parts (Order Separately, Field Installed)

WPC15GLC Tempered Clear Flat Glass Lens.

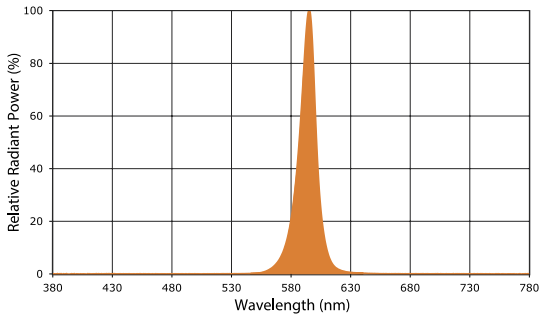
P18100 120VAC, Photoeye

P18103 120-277VAC Photoeye

For Replacement Battery Backup, see the LEPG LED Battery Backup Specification Sheet.

## Photometric Data

### Amber LED - Spectral Chart



## Photometric Performance

LED Board Watts	Drive Current (mA)	Input Watts	Optics	Amber LEDs	
				Lumens	LPW
AmberLED 37w	525	40	Type V	1,279	32

## Projected Lumen Maintenance

Data shown for Amber LEDs			Compare to MH			
TM-21-11	Input Watts	Initial	25,000 Hrs	50,000 Hrs	100,000 Hrs	Calculated L70@ 25°C
L70 Lumen Maintenance @ 25°C / 77°F	40	1.00	0.96	0.93	0.86	213,000
TM-21-11	Input Watts	Initial	25,000 Hrs	50,000 Hrs	100,000 Hrs	Calculated L70@ 50°C
L70 Lumen Maintenance @ 50°C / 122°F	40	1.00	0.93	0.87	0.73	113,000
TM-21-11	Input Watts	Initial	25,000 Hrs	50,000 Hrs	100,000 Hrs	Calculated L80@ 40°C
L80 Lumen Maintenance @ 40°C / 104°F	40	1.00	0.95	0.89	0.78	91,000

**NOTES:**

- Projected per IESNA TM-21-11. Data references the extrapolated performance projections for the 525mA base model in a 25°C ambient, based on 10,000 hours of LED testing per IESNA LM-80-08.
- Compare to MH box indicates suggested Light Loss Factor (LLF) to be used when comparing to Metal Halide (MH) systems.