

ELEDH-CFK6

6" LED Architectural Frame-in Kit



DESCRIPTION

The LEDH-CFK6 is a 6" LED, Non-IC Commercial Flat Frame-in Kit and is available with multiple Trim styles. Designed for use in non-insulated ceilings, Insulation material must be kept a minimum of 3" from fixture. Available with a 14W, 23W, 30W or 45W high efficacy LED engine and universal, dimmable drivers. The special optical diffuser produces high lumen transmission and even illumination. Suitable for Wet Locations.

DESIGN FEATURES

Mounting Frame

- Galvanized steel construction.
- Housing adjusts for ceilings up to 1-1/4" thick.

LED Module & Trim

- LED engine includes LED, heat sink and lens assembly.
- Heavy gauge aluminum reflector anodized in clear haze or white paint finishes.
- Multiple trim styles and finishes are available.

LED Driver

- Universal, 120~277V input, high efficacy drivers with dimming capability by ① a Triac 120V low voltage electronic dimmer switches or ② 0-10V, Triac & ELV dimmer switches.
- Drivers feature power factor >.90, THD <20% with integral thermal protection to sense over temperature or electrical issues.
- Driver mounts externally to the module to allow future replacement or upgrading if desired.
- Optional Lutron Hi-lume A-Series, LED drivers and EcoSystem 5-Series LED drivers are available. Lutron drivers provide flicker-free, smooth, continuous dimming down to 1% for Hi-lume and 5% for EcoSystem. (Contact factory for dimming system requirements)

Mounting Channel Bracket

- Commercial mounting kit provides up to 5" vertical adjustment and accommodates 1/2" EMT conduit. Optional HBC-24 bar hanger for T-bar grid or concealed spline ceiling are also available.

Junction Box

- Listed for through branch circuit wiring. (Max.8 No 12 AWG 90°C branch circuit conductors: 4 in, 4 out)
- (5) 1/2" knockouts with pry-out slots and (4) knockouts with Romex cable clamps.
- Ground wire provided on J-box.

Bar Hangers:

Listed for through branch circuit wiring. (Max.8 No 12 AWG 90°C branch circuit conductors: 4 in, 4 out)
 (5) 1/2" knockouts with pry-out slots and (4) knockouts with Romex cable clamps.
 Ground wire provided on J-box.



Listing

- cETLus Wet Location
- ENERGY STAR
- California Title 24

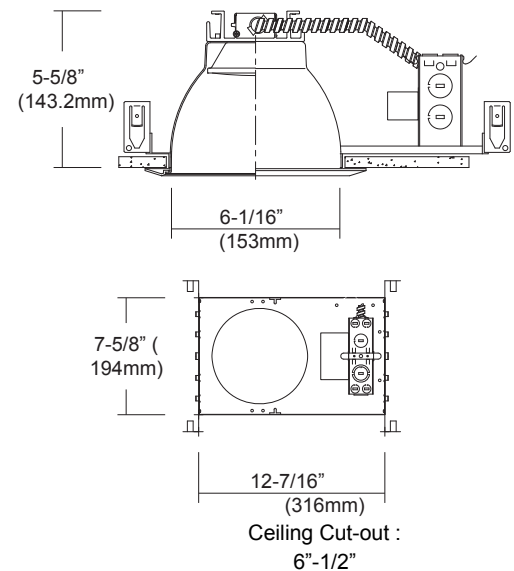
Options

- Emergency battery back-up : Available in mounted to fixture or remote adjacent to luminaire (consult with factory for space requirements).

Limited Warranty

- LED Module: 5 years/50K hours
- Product/Driver: 3 years

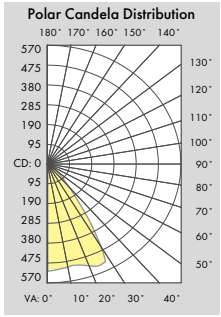
Dimensions



ORDERING INFORMATION: MODEL: ELEDH-CFK6

Housing	Watts	CRI	Color Temp.**	Color Temp.**	Trim	Reflector Finish**	Baffle Finish for ELEDT-R614 & R641	Optional Metal Trim Ring Finish
ELEDH-CFK6 = 6", Non-IC, Commercial Flat Frame-in Down Light Kit	14 = 14W 23 = 23W 30 = 30W 45 = 45W	8 = 80 9 = 90	27 = 2700K 30 = 3000K 35 = 3500K 40 = 4000K	UTD = 120~277VAC, Triac: 10-100% Dimming (14, 23 & 30W only) UZTD = 120~277V, 0-10V, Triac & ELV: 1-100% Dimming LTD = Lutron Hi-lume 1% dimming LSD = Lutron EcoSystem 5% dimming LTE = Lutron Hi-lume 1% 2-Wire dimming	ELEDT-R64 ELEDT-R614 ELEDT-R641 ELEDT-R622 ELEDT-R636 ELEDT-R640 ELEDT-R650		WH = White BK = Black	WH = White Plastic Trim Ring (Standard) WMR = White Metal Ring SN = Satin Nickel CH = Chrome SF = Polished Self-Flange (for Open or Wall Wash Reflectors ONLY)

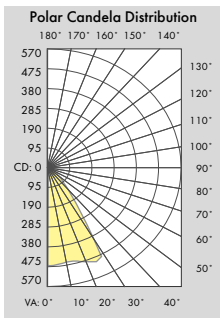
PHOTOMETRIC REPORT * Contact Factory for IES File



[ELEDH-CFK6-14-830+LEDT-R64]
Illuminance at a Distance

Center Beam FC	Beam Width
2.0ft	138.2 fc
4.0ft	34.6 fc
6.0ft	15.4 fc
8.0ft	8.6 fc
10.0ft	5.5 fc
12.0ft	3.8 fc

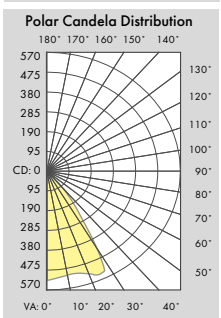
Beam Spread: 75°



[ELEDH-CFK6-23-830+LEDT-R64]
Illuminance at a Distance

Center Beam FC	Beam Width
2.0ft	244.2 fc
4.0ft	61.0 fc
6.0ft	27.1 fc
8.0ft	15.3 fc
10.0ft	9.8 fc
12.0ft	6.8 fc

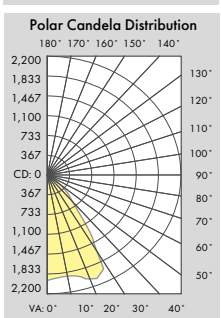
Beam Spread: 75°



[ELEDH-CFK6-30-830+LEDT-R64]
Illuminance at a Distance

Center Beam FC	Beam Width
2.0ft	316.1 fc
4.0ft	79.0 fc
6.0ft	35.1 fc
8.0ft	19.8 fc
10.0ft	12.6 fc
12.0ft	8.8 fc

Beam Spread: 75°



[ELEDH-CFK6-45-830+LEDT-R64]
Illuminance at a Distance

Center Beam FC	Beam Width
2.0ft	485.7 fc
4.0ft	121.4 fc
6.0ft	54.0 fc
8.0ft	30.4 fc
10.0ft	19.4 fc
12.0ft	13.5 fc

Beam Spread: 76.2°

○ Triac Approved Dimmers

- * Lutron: NovaT (Ntelv 300 & 600)
Diva (Dvelv-300P & 303P)
- * Leviton: Acenti: Ate06-1Lw
- * Leviton Trimatron #705W (incandescent)

○ 0-10V Approved Dimmers

- * Lutron: Nova® 0-10V : NTFTV
Diva®R 0-10V : DVTV
- * Leviton: Decora 0-10V : IP710DL

Consult tech. service or factory for additional dimmers

* Provided: Easy-quick connector case (patent pending)

SPECIFICATION				
Input Voltage	120-277VAC			
Wattage (+/-5%)	14W	23W	30W	45W
Lumen (+/-5%)	950	1,790	2,235	3,220
Efficacy (LPW)	67.9	77.8	74.5	71.5
Beam Angle	75°	75.5°	77°	76.2°
CRI (Typical)	80, 90			
CCT (Color +/-5%)	2700K, 3000K, 3500K, 4000K			
Dimming	0-10V, ELV & TRIAC Optional Lutron Drivers			
LED Module	5 yr/50K hr			
Environment	Wet Location			

TRIM

		
ELEDT-R64 Specular Open Reflector	ELEDT-R614 Baffle w / Reflector	ELEDT-R641 Baffle w / Regressed Lens
		
ELEDT-R622 Reflector w / Regressed Lens	ELEDT-R636 Wall Wash w / Reflector Plate	ELEDT-R640 Reflector w / Frosted Floating Lens
	<p>* All trims are rated for damp location and regressed lens trims are wet location listed.</p> <p>* Wide beam reflector is standard. Also available narrow beam in reflector (consult with factory).</p> <p>* LEDT-R641 & LEDT-R622 are suitable and rated for shower location.</p>	
ELEDT-R650 Reflector with Frosted 3.5" Center Hole Lens		