

LEDSL42W

42 Watt LED Landscape Security / Flood Light



The ELEDL42W landscape security / flood light is an ideal solution for general site, landscape, sign and pathway lighting. With a die cast aluminum housing, and a polycarbonate lens with seamless silicone gasket to prevent leaks, the ELEDL42W will stand up to many years of punishing environmental conditions. High-efficacy, long-life LEDs provide both energy and maintenance cost savings compared to traditional, incandescent landscape lights.

FEATURES

- Available in 3000k (warm white) & 5000k (cool white) color temperatures.*
- Long-life LEDs provide 69,000 hours of operation with at least 70% of initial lumen output (L70).**
- Delivers 4,201 lumens (107 lumens per watt, LPW) at 3000k, and 4,800 lumens (122 LPW) at 5000k.*
- Medium beam spread is standard.
- Universal 100-277 AC voltage (50-60Hz) is standard.
- Power factor > 0.90.
- Total harmonic distortion < 20%.
- Color rendering index > 80.
- Die cast aluminum housing with durable, dark bronze, powder coat paint.
- Polycarbonate lens.
- Several mounting options provide easy installation in new construction or retrofit. Yoke-mounted models available by special order (contact factory for details).

WARRANTY & LISTINGS

- cULus listed for wet locations (-20°C to 40°C / -4°F to 104°F).
- IP65 rated.
- DLC approved.
- Complies with EN61000-4-5, surge immunity test (1kV).
- 5-year warranty on all electronics and housing.

ORDERING INFORMATION

Model	Luminaire Watts	Luminaire Lumens	Lumens Per Watt	Color Temperature	Beam Spread	Mounting Options (Order Separately)
ELEDL42W-K	39	4,201	107	3K = 3000k	60 = Medium	Spike-Mount = LEDSL-BS
	39	4,800	122	5K = 5000k	60 = Medium	Canopy-Mount = LEDSL-CMB



MOUNTING OPTIONS

- Threaded pipe (NPS 1/2"), which attaches to a junction box, is standard.
- Optional spike-mount (LEDSL-BS) for ground mounting.
- Optional canopy-mount (LEDSL-CMB) for attachment to flat surfaces.

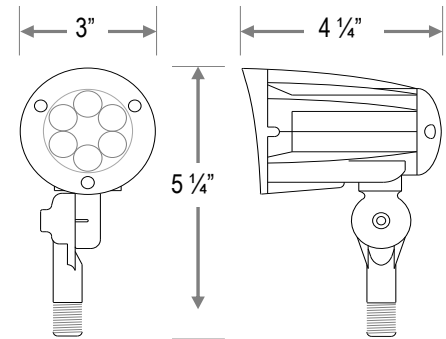


Spike-Mount
(ELEDL-BS)



Canopy-Mount
(ELEDL-CMB)

DIMENSIONS



ELECTRICAL

Model	Color Temp.	CRI ¹	Luminaire Lumens	Luminaire Watts	Lumens Per Watt	Input Voltage ²	Input Current (A)			Power Factor	THD ³	L ₇₀ Hours ⁴
							120V	240V	277V			
ELED42W-K-3K-60	3000k	> 80	4,201	39	107	120-277	0.33	0.16	0.14	>0.90	< 20%	69,000
ELED42W-K-5K-60	5000k	> 80	4,800	39	122	120-277	0.33	0.16	0.14	> 0.90	< 20%	69,000

1 Color rendering index.

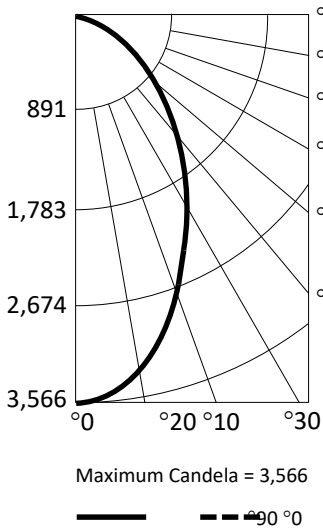
2 All 50-60Hz.

3 Total harmonic distortion.

4 L70 refers to the number of hours at which lumen output declines to 70% of the initial level. L70 hours are IES TM-21-11 calculated hours.

PHOTOMETRIC DATA

ELED42W-K-5K-60 (4,800 Lumens)



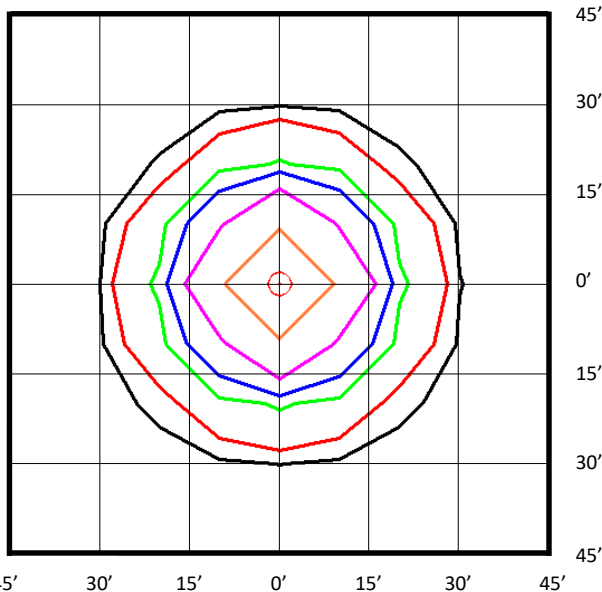
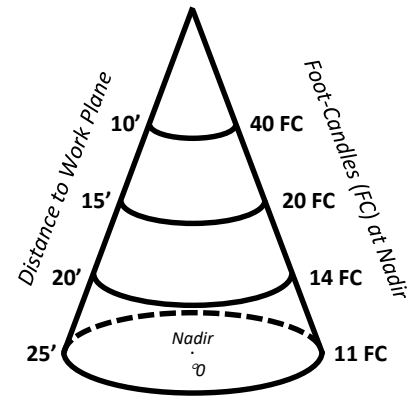
Candlepower Summary

	0°	90°
0°	3,566	3,566
10°	3,512	3,491
20°	3,302	3,268
30°	3,003	2,968
40°	2,662	2,640
50°	2,312	2,298
60°	1,965	1,960
70°	1,630	1,629
80°	1,317	1,321
90°	1,034	1,036

Zonal Lumen Summary

Zone	Lumens	% Fixture
0° - 10°	326	6.8%
10° - 20°	1,154	24.0%
20° - 30°	2,199	45.8%
30° - 40°	3,201	66.7%
40° - 50°	3,990	83.1%
50° - 60°	4,476	93.3%
60° - 70°	4,704	98.0%
70° - 80°	4,784	99.7%
80° - 90°	4,796	99.9%
90° - 180°	4	0.1%
0° - 180°	4,800	100.0%

Cone of Light



Foot Candles



Notes:

- Isofootcandle plots depict initial footcandles at grade.
- Gridlines represent units of mounting height of 15 feet.

Luminaire Orientation

