

AASP52Q

LED Sports Lighter/Architectural Flood



The LEPG ASP52 Sports Lighter and Architectural Flood luminaire is available in two wattages with specially designed optical systems to provide uniform light levels for sports applications and architectural highlighting. Four NEMA beam patterns provide optical distribution that is designed to replace HID lighting systems of 400W to 1500W MH or HPS. Typical sports applications include baseball, soccer, football, golf, motor vehicle tracks, tennis and outdoor recreation. Commercial flood light and accent lighting applications include retail centers, theme parks, schools and universities, public transit and airports, mid and high rise buildings and bridge structures. Mounting heights of up to 80 feet can be used based on light level and uniformity requirements.

Specifications and Features:

Housing: Die Cast Aluminum Housing with Top Glare Shield, Integral Heat Sinking and Driver Compartment. Laser Aiming Bracket is Provided on the Top of the Housing. Heavy Duty Adjustable Yoke Allows for Pole Downward and Ground/Wall Upward Aiming. Nickel-Plated Stainless Steel Hardware.

Listing & Ratings: CSA: Listed for Wet Locations, ANSI/UL 1598, 8750; IP66 Sealed LED Compartment.

Finish: Textured Architectural Gray Powdercoat Finish Over a Chromate Conversion Coating. Custom Colors Available Upon Request

Lens: Clear One-Piece Molded ¼-Section Vandal-Resistant Polycarbonate Lenses in NEMA 2x2, 3x3, 4x4, and 5x5 Distributions. 4 Lenses Per Fixture, with Automatically Applied Closed Cell Gasketing.

Mounting Options: Heavy Duty Yoke Allows for Aiming Horizontally and Vertically. Locking Bolts Can Be Configured for Up or Down Aiming. Adjustment Slots are Stamped With Embossed 5 Degree Increment Marks. Fixture is Supplied With 36" Cord and Liquid Tight Connector to Allow for Installation Without Opening the Housing to Make Circuit Connections. Yoke Can Be Bolted to Sports Lighting Cross Arms or Other Structures. Optional Tenon Mount Adaptor Available.

EasyLED LED: Aluminum Boards

Wattage:

268w: Array: 268w, System: 294w (Up to 1000w HID Equivalent)
536w: Array: 536w, System: 588w (Up to 1500w HID Equivalent)

ORDERING INFORMATION:



Driver:

Electronic Driver, 120-277V, 50/60Hz or 347-480V, 50/60Hz; Less Than 20% THD and PF>0.90. Standard Internal Surge Protection 6kV. 0-10V Dimming Standard for a Dimming Range of 100% to 10%; Dimming Source Current is 150 Microamps.

Controls:

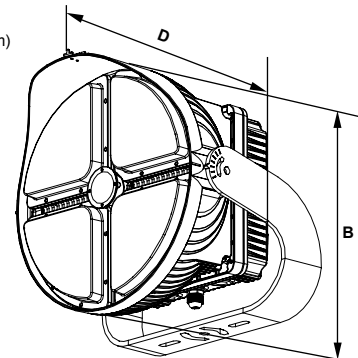
Fixtures Ordered with Optional Factory-Installed 5-wire Cord with 1-10V Dimming Conductors are Internally Wired for Downstream Switching and/or 1-10V Dimming Within the Housing. Dimming Response is a Function of the Driver Capability, Consult Factory for Driver Specification for 1-10V Specific Characteristics. Fixtures are NOT Designed for Use with Line Voltage Dimmers.

Warranty:

5-Year Warranty for -40°C to +50°C Environment.

Dimension:

Length (D) 12¾" (323mm)
Height (B) 16" (405mm)



Model	Beam	Wattage	Driver	CCT	Color	Options
ASP52Q						
ASP52Q = LED Sports Lighter/Architectural Flood	22=NEMA 2H x 2V 33=NEMA 3H x 3V 44=NEMA 4H x 4V 55=NEMA 5H x 5V	268=268w 536=536w	U=120-277V H=347-480V	4K=4000K 5K=5000K	G=Gray C=Custom (Consult Factory)	SF=Single Fuse (120-277V Only) DF=Double Fuse (120-277V Only) C53600B=3 Foot Black Cord, 600VAC, 5 Wire, Includes 1-10V Dimming Wires

Accessories & Replacement Parts:




CVMAG

**Mounting Accessories
(Order Separately, Field Installed)**

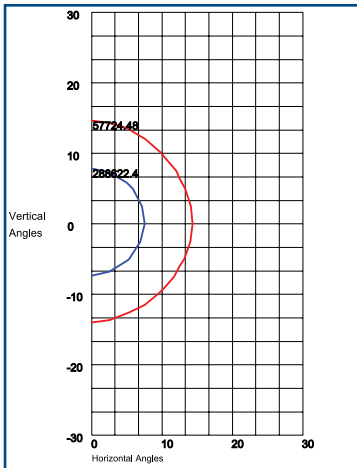
CVMAG Die-Cast Adaptor for 2 3/4" Tenons, Gray Powdercoat Finish, Includes Hardware

EPA (Effective Projected Area)

Configuration	EPA (Sq. Ft.)	Weight (Lbs.)
 1	1.56	68 lbs

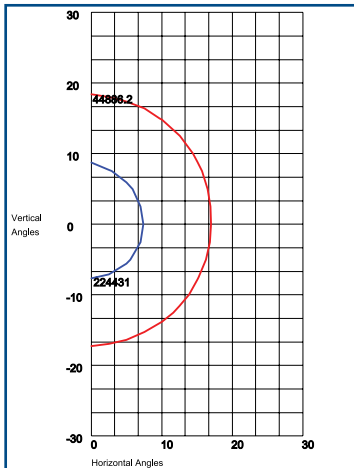
Shown with Yoke.

Photometric Data All values shown for 536 watt, 5K model.



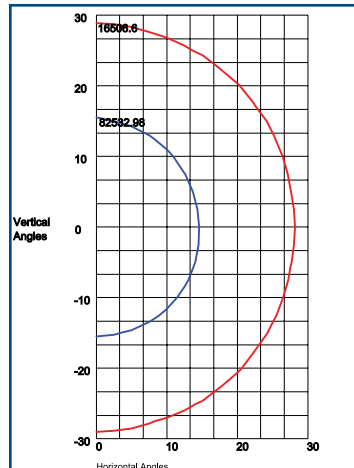
Maximum Candela = 57724.48 Located At Horizontal Angle = 0, Vertical Angle = 1
50% Maximum Candela = 26862.375
10% Maximum Candela = 57724.475

ASP52Q22536U5K
19°H x 15°V Beam, NEMA 2H x 2V



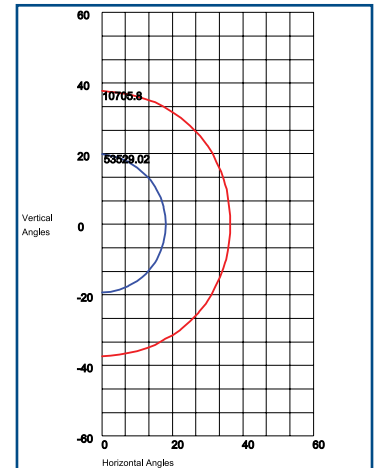
Maximum Candela = 44886.2 Located At Horizontal Angle = -1, Vertical Angle = 1
50% Maximum Candela = 22443.97
10% Maximum Candela = 44886.194

ASP52Q33536U5K
16°H x 16°V Beam, NEMA 3H x 3V



Maximum Candela = 16506.6 Located At Horizontal Angle = 0, Vertical Angle = 0
50% Maximum Candela = 8253.375
10% Maximum Candela = 16506.595

ASP52Q44536U5K
31°H x 31°V Beam, NEMA 4H x 4V



Maximum Candela = 10705.8 Located At Horizontal Angle = 0, Vertical Angle = -3
50% Maximum Candela = 5352.915
10% Maximum Candela = 10705.803

ASP52Q55536U5K
38°H x 39°V Beam, NEMA 5H x 5V

Photometric Performance

LED Board Watts	Drive Current (mA)	Input Watts	Beam	5000 CCT 80 CRI		4000 CCT 80 CRI	
				Lumens	LPW	Lumens	LPW
EasyLED 268w	2800	294	22 19°H x 15°V, NEMA 2H x 2V	30,323	104	29,446	103
			33 21°H x 21°V, NEMA 3H x 3V	31,283	106	31,006	106
			44 28°H x 27°V, NEMA 4H x 4V	32,799	112	32,008	109
			55 34°H x 33°V, NEMA 5H x 5V	32,942	112	31,873	108
EasyLED 536w	2800	588	22 19°H x 15°V, NEMA 2H x 2V	61,442	104	57,471	103
			33 16°H x 16°V, NEMA 3H x 3V	61,893	105	60,276	103
			44 31°H x 31°V, NEMA 4H x 4V	64,973	111	63,573	108
			55 38°H x 39°V, NEMA 5H x 5V	63,972	109	63,005	107

Projected Lumen Maintenance

Data shown for 5000 CCT			Compare to MH				
TM-21-11	Input Watts	Initial	25,000 Hrs	50,000 Hrs	100,000 Hrs	Calculated L70@ 25°C	
L70 Lumen Maintenance @ 25°C / 77°F	588	1.00	0.97	0.94	0.89	269,000	
TM-21-11	Input Watts	Initial	25,000 Hrs	50,000 Hrs	100,000 Hrs	Calculated L70@ 50°C	
L70 Lumen Maintenance @ 50°C / 122°F	588	1.00	0.96	0.91	0.82	167,000	
TM-21-11	Input Watts	Initial	25,000 Hrs	50,000 Hrs	100,000 Hrs	Calculated L80@ 40°C	
L80 Lumen Maintenance @ 40°C / 104°F	588	1.00	0.95	0.90	0.80	98,000	