

ACV15G LED CANOPY LUMINAIRE



COMPACT, HEAVY-DUTY HOUSING

The CV15G is a 15" Circular Canopy Luminaire with a Die Cast Aluminum Body and Prismatic Polycarbonate Diffuser with UV Inhibitors

WET LOCATION, IP-65 RATED

Engineered and Constructed for Exterior Environments

EASY TO INSTALL MOUNTING

The CV15G can be Directly Mounted over an Existing 4" Outlet Box or Surface Wired through a 1/2" Conduit Entry

PRODUCT APPLICATIONS

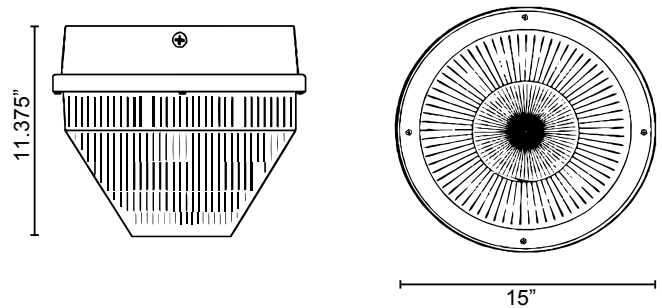
- Building Canopy
- Storage Facilities
- Parking Garages
- Gas Stations
- Tunnels

PRODUCT SPECIFICATIONS

NOMINAL WATTAGE	SYSTEM WATTAGE	CCT	LUMEN	EFFICACY
12W	12.65	3000K	1362.50	107.71
12W	12.65	4000K	1403.38	110.94
12W	12.65	5000K	1445.48	114.27
24W	23.54	3000K	2725.00	115.76
24W	23.54	4000K	2806.75	119.23
24W	23.54	5000K	2890.95	122.81
36W	34.27	3000K	4097.74	119.57
36W	34.27	4000K	4220.68	123.16
36W	34.27	5000K	4347.30	126.85
48W	46.6	3000K	5450.00	116.95
48W	46.6	4000K	5613.50	120.46
48W	46.6	5000K	5781.91	124.08
60W	56.83	3000K	6812.50	119.88
60W	56.83	4000K	7016.88	123.47
60W	56.83	5000K	7227.38	127.18
72W	67.26	3000K	8175.00	121.54
72W	67.26	4000K	8420.25	125.19
72W	67.26	5000K	8672.86	128.95
84W	81.55	3000K	9537.50	116.95
84W	81.55	4000K	9823.63	120.46
84W	81.55	5000K	10118.33	124.08
96W	92.21	3000K	10900.00	118.21
96W	92.21	4000K	11227.00	121.75
96W	92.21	5000K	11563.81	125.41



PRODUCT DIMENSIONS



POWER
POWER FACTOR >0.90 - THD <20

ORDERING INFORMATION

MODEL	WATTAGE	COLOR TEMPERATURE (CCT)	HOUSING COLOR	OPTIONS & ACCESSORIES
ACV15G				
ACV15G	12W 12 WATTS 24W 24 WATTS 36W 36 WATTS 48W 48 WATTS 60W 60 WATTS 72W 72 WATTS 84W 84 WATTS 96W 96 WATTS	27K 2700K - WARM WHITE 30K 3000K - WARM WHITE 35K 3500K - NEUTRAL WHITE 40K 4000K - NEUTRAL WHITE 50K 5000K - COOL WHITE 55K 5500K - DAYLIGHT	BZ BRONZE (STANDARD) WH WHITE BL BLACK SL SILVER CC CUSTOM COLOR	MS MOTION SENSOR MS-DS2 MOTION SENSOR WITH BILEVEL DIMMING D1 0-10V DIMMING D2 STEP DIMMING (120V ONLY) EM EMERGENCY BATTERY PACK V1* 480/347V INPUT (120-277V STANDARD) *NOT AVAILABLE WITH EM OR MOTION SENSOR