

## ELEDPNL1X4-32W-PRM-ECO

Premium Performance 32 Watt 1x4 Ultra- Thin Edge-Lit LED Panel



### Standard

The premium-performance, ultra-thin, edge-lit LED panel (ELEDPNL-PRM-ECO) series offers industry-leading lumens per watt (LPW). It is designed to deliver general ambient lighting in a variety of indoor settings, including schools, offices, hospitals and stores, and is the perfect choice for both new construction and retrofits. This high-efficacy luminaire provides long-life and uniform illumination, as well as standard 0-10 vdc dimming capability.

### Features

- Available in 3500k (warm/neutral white), 4000k (neutral white) and 5000k (cool white) color temperatures.\*
- Long-life LEDs provide 238,000 hours of operation with at least 70% of initial lumen output (L70).\*\*
- Provides 4,096 luminaire lumens (128 lumens per watt, LPW) at 3000k; 4,113 luminaire lumens (129 LPW) at 3500k; 4,131 luminaire lumens (129 LPW) at 4000k, and 4,165 luminaire lumens (130 LPW) at 5000k.\*
- Uniform illumination with no visible LED pixilation.
- Universal 120-277 AC voltage (50-60Hz) is standard.
- 0-10vdc dimming capability is standard.
- Power factor > 0.90.
- Total harmonic distortion < 20%.
- Color rendering index > 80.
- Aluminum housing.
- PMMA (polymethyl methacrylate) light guide panels for optimal light distribution, efficiency and longevity.
- Easy installation in new construction or retrofit.
- Standard earthquake clips provide secure installation in grid ceilings.
- Standard mounting options include recessed mounting in grid ceilings, or suspended mounting using attached hanging brackets. For mounting in plaster or other hard ceiling, see Mounting Kits.

\*. Contact factory for other color temperatures and lumen packages.  
 \*\*. L70 hours are IES TM-21-11 calculated hours.

### Ordering Information

Product Number: ELEDPNL1X4-32W-PRM-ECO LW: LL: L/W: CT: IV: A:

Model	Luminaire Watts	Luminaire Lumens	Lumens/Watt	Color Temperature	Input Voltage	Accessories (Order Separately)
ELEDPNL1X4-32W	32	4,113 4,131 4,165	129 129 130	35K = 3500K 4K = 4000K 5K = 5000K	MV-PRM-ECO = Multi-volt (120-277V)	ELEDSMKT-14 = Surface Mounting Kit (1x4) FLANGEKIT14-ET = Flange Mounting Kit (1x4) ELEDPNL-CMK = Cable Mounting Kit, Quantity 6, 1 meter long, 1/16" diameter, with spring clips, and adjustable locking ceiling attachment



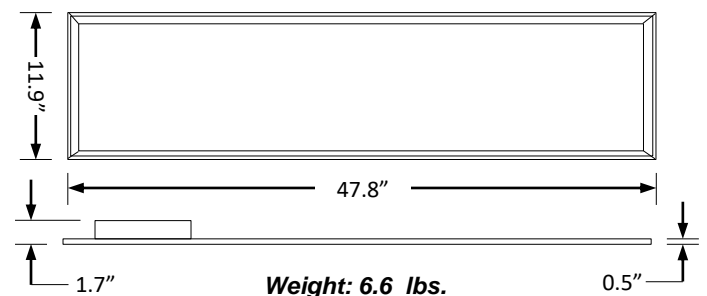
### Warranty & Listings

- CETLUS listed for damp locations and insulated ceilings (IC-rated) for use in ambient temperatures from -25°C to 45°C (-13°F to 113°F).
- DLC premium approved.
- Flicker-free per IEEE1789-2015 (no observable adverse effects of flicker at 100% light output level).
- Complies with RoHS (Restriction on Hazardous Substances) requirements.
- Complies with FCC Part 15, part B.
- Complies with IEEE C.62.41, input transient protection (1kV).
- 5-year warranty of all electronics and housing.

### Mounting Kits

- Optional surface mounting kits (ELEDSMKT-14), and flange mounting kits (FLANGEKIT14-ET) provide for installation on plaster or other hard ceilings.
- Optional cable mounting kits (ELEDPNL-CMK) provide additional security, as well as suspended mounting.

### Dimensions



## Electrical Data

Model	Color Temp.	CRI <sup>1</sup>	Luminaire Lumens	Luminaire Watts	Lumens Per Watt	Input Voltage <sup>2</sup>	Input Current (A)			Power Factor	THD <sup>3</sup>	L70 Hours <sup>4</sup>
							120V	240V	277V			
ELEDPNL1X4-32W-35KMV-PRM-ECO	3500k	> 80	4,113	32	129	120-277	0.27	0.13	0.12	> 0.90	< 20%	238,000
ELEDPNL1X4-32W-4KMV-PRM-ECO	4000k	> 80	4,131	32	129	120-277	0.27	0.13	0.12	> 0.90	< 20%	238,000
ELEDPNL1X4-32W-5KMV-PRM-ECO	5000k	> 80	4,165	32	130	120-277	0.27	0.13	0.12	> 0.90	< 20%	238,000

<sup>1</sup> Color rendering index.

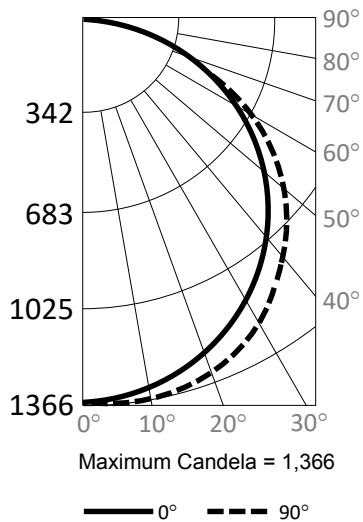
<sup>2</sup> All 50-60Hz.

<sup>3</sup> Total harmonic distortion.

<sup>4</sup> L70 refers to the number of hours at which lumen output declines to 70% of the initial level. L70 hours are IES TM-21-11 calculated hours.

## Photometric Data

### ELEDPNL1X4-32W-5KMV-PRM-ECO (4,165 Lumens)



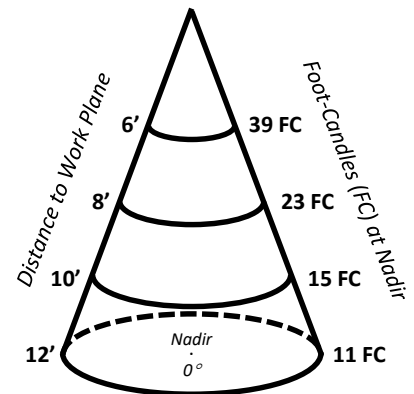
#### Candlepower Summary

	0°	90°
0°	1,366	1,366
10°	1,364	1,367
20°	1,329	1,323
30°	1,257	1,229
40°	1,144	1,086
50°	982	896
60°	768	666
70°	507	413
80°	211	159
90°	0	0

#### Zonal Lumen Summary

Zone	Lumens	% Fixture
0° – 10°	129	3.1%
0° – 20°	500	12.0%
0° – 30°	1,074	25.8%
0° – 40°	1,779	42.7%
0° – 50°	2,529	60.7%
0° – 60°	3,223	77.4%
0° – 70°	3,765	90.4%
0° – 80°	4,080	97.9%
0° – 90°	4,165	100.0%
90° – 180°	0	0.0%
0° – 180°	4,165	100.0%

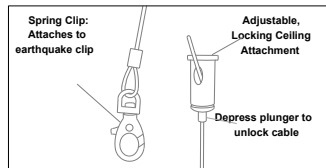
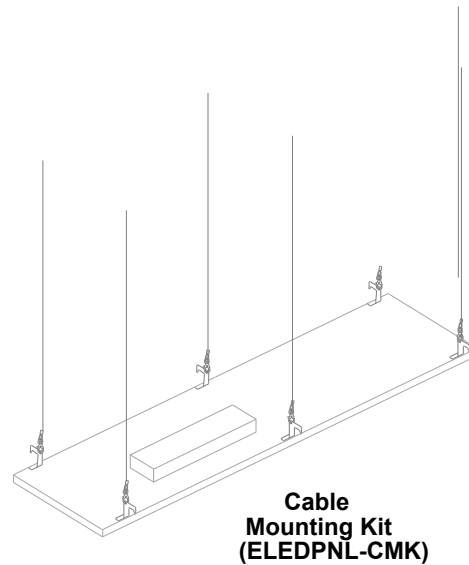
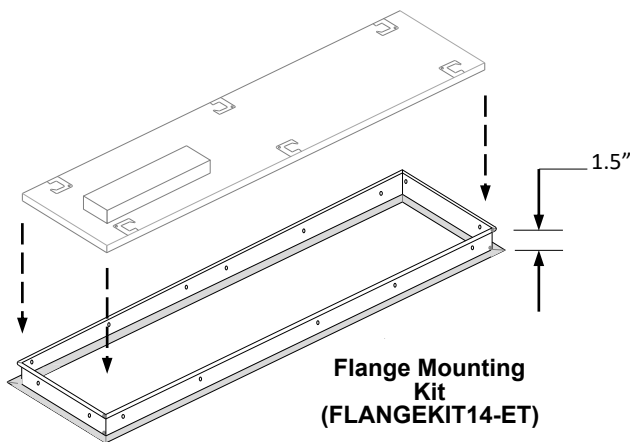
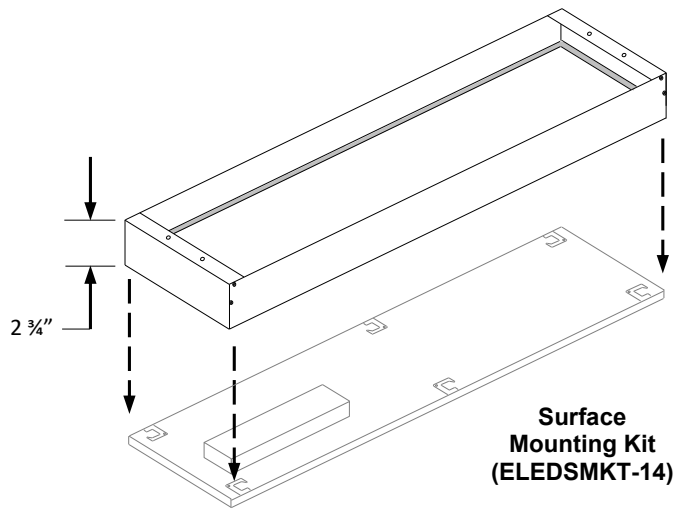
#### Cone of Light



Job Name: \_\_\_\_\_  
 Type: \_\_\_\_\_  
 Part #: \_\_\_\_\_  
 Notes: \_\_\_\_\_

## Options

- Optional surface mounting kits (ELED SMKT-14) mounts below the ceiling.
- Optional flange mounting kits provide for recessed installation on plaster or other hard ceilings. Attach Flange Mount Kit (FLANGEKIT14-ET) to ceiling joists or other stationary structures, and the panel is mounted flush to the ceiling.
- Optional cable mounting kits provide additional security, as well as suspended mounting. Attach one end of the Cable Mount Kit (ELED PNL-CMK) to luminaire earthquake clips using spring clips, and attach the other end to stationary structures using the adjustable, locking ceiling attachment (see picture below right).



- Cable Mount Kit:**
- Spring Clip
  - Adjustable, locking ceiling attachment