

ELEDPNL1X4-35W

Premium Performance 35 Watt 1x4 Ultra-Thin Edge-Lit LED Panel



Standard

The premium-performance, ultra-thin, edge-lit LED panel (ELEDPNL) series offers industry-leading lumens per watt (LPW). The ELEDPNL is designed to deliver general ambient lighting in a variety of indoor settings, including schools, offices, hospitals and stores, and is the perfect choice for both new construction and retrofits. This high-efficacy luminaire provides long-life and uniform illumination, as well as standard 0-10 vdc dimming capability.

Features

- Available in 3500k (warm/neutral white), 4000k (neutral white) and 5000k (cool white) color temperatures.*
- Long-life LEDs provide 81,000 hours of operation with at least 70% of initial lumen output (L70).**
- Provides 4,517 luminaire lumens (122 lumens per watt, LPW) at 3000k; 4,616 luminaire lumens (125 LPW) at 3500k; 4,673 luminaire lumens (126 LPW) at 4000k, and 4,730 luminaire lumens (128 LPW) at 5000k.*
- Uniform illumination with no visible LED pixilation.
- Universal 120-277 AC voltage (50-60Hz) is standard.
- 0-10vdc dimming capability is standard.
- Power factor > 0.90.
- Total harmonic distortion < 20%.
- Color rendering index > 80.
- Aluminum housing.
- PMMA (polymethyl methacrylate) light guide panels for optimal light distribution, efficiency and longevity.
- Easy installation in new construction or retrofit.
- Standard earthquake clips provide secure installation in grid ceilings.
- Standard mounting options include recessed mounting in grid ceilings, or suspended mounting using attached hanging brackets. For mounting in plaster or other hard ceiling, see Mounting Kits.

* Contact factory for other color temperatures and lumen packages.

** L70 hours are IES TM-21-11 calculated hours.

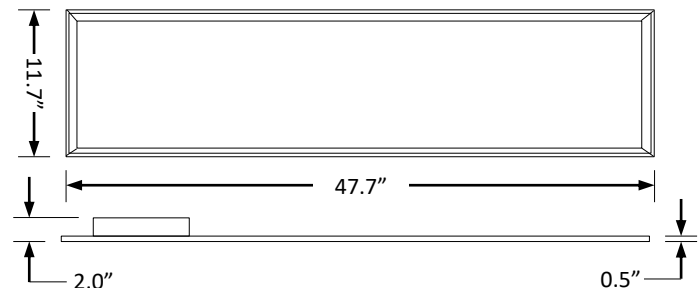
Warranty & Listings

- UL listed for damp locations and insulated ceilings (IC-rated) for use in ambient temperatures from -25°C to 50°C (-13°F to 122°F).
- DLC Premium listed.
- Complies with RoHS (Restriction on Hazardous Substances) requirements.
- Complies with FCC Part 15, part B.
- Complies with IEEE C.62.41, input transient protection (2kV).
- 5-year warranty of all electronics and housing.

Mounting Kits *See below for details*

- Optional surface & flange mounting kits provide for installation on plaster or other hard ceilings.
- Optional cable mounting kits provide additional security, as well as suspended mounting.

Dimensions



Weight: 7.6 lbs.

Ordering Information

Product Number: ELEDPNL1X4-35W LW: LL: L/W: CT: IV: DLCL: O:

Model	Luminaire Watts	Luminaire Lumens	Lumens/Watt	Color Temperature	Input Voltage	DLC Listing	Options (See below for details)
ELEDPNL1X4-35W	37	4,616	125	35K = 3500K	MV = Multi-volt (120-277V)	PRM-BES = DLC Premium	SMK14 = Surface Mounting Kit (1x4)
		4,673	126	4K = 4000k			FLANGEKIT14-ET = Flange Mounting Kit (1x4)
		4,730	128	5K = 5000k			ELEDPNL-CMK = Cable Mounting Kit, Quantity 6, 1 meter long, 1/16" diameter, with spring clips & adjustable, locking ceiling attachment
							ELEDPNL-EMBRKT = Bracket for emergency battery backup unit

Electrical Data

Model	Color Temp.	CRI ¹	Luminaire Lumens	Luminaire Watts	Lumens Per Watt	Input Voltage ²	Input Current (A)			Power Factor	THD ³	L70 Hours ⁴
							120V	240V	277V			
ELEDPNL1X4-35W-35KMV-PRM-BES	3500k	> 80	4,616	37	125	120-277	0.31	0.15	0.13	> 90%	< 20%	81,000
ELEDPNL1X4-35W-4KMV-PRM-BES	4000k	> 80	4,673	37	126	120-277	0.31	0.15	0.13	> 90%	< 20%	81,000
ELEDPNL1X4-35W-5KMV-PRM-BES	5000k	> 80	4,730	37	128	120-277	0.31	0.15	0.13	> 90%	< 20%	81,000

¹ Color rendering index.

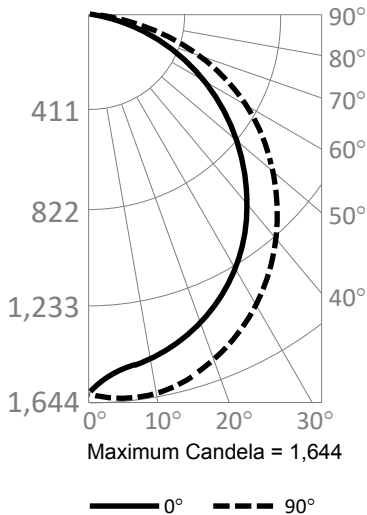
² All 50-60Hz.

³ Total harmonic distortion.

⁴ L70 refers to the number of hours at which lumen output declines to 70% of the initial level. L70 hours are IES TM-21-11 calculated hours.

Photometric Data

ELEDPNL1X4-35W-5KMV-PRM-BES (4,730 Lumens)



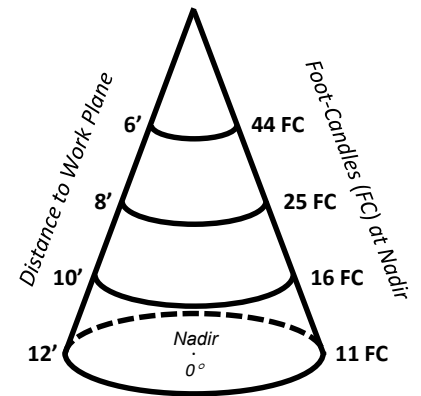
Candlepower Summary

	0°	90°
0°	1,598	1,598
10°	1,490	1,626
20°	1,394	1,550
30°	1,242	1,414
40°	1,047	1,229
50°	812	1,009
60°	565	762
70°	307	496
80°	77	231
90°	0	24

Zonal Lumen Summary

Zone	Lumens	% Fixture
0° – 10°	159	3.4%
0° – 20°	615	13.0%
0° – 30°	1,304	27.6%
0° – 40°	2,133	45.1%
0° – 50°	2,985	63.1%
0° – 60°	3,749	79.3%
0° – 70°	4,321	91.4%
0° – 80°	4,640	98.1%
0° – 90°	4,730	100.0%
90° – 180°	0	0.0%
0° – 180°	4,730	100.0%

Cone of Light



Job Name: _____

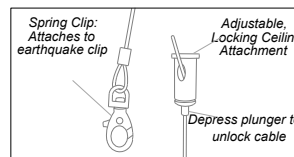
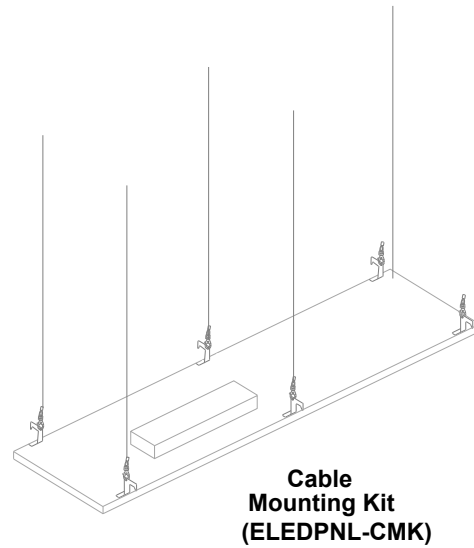
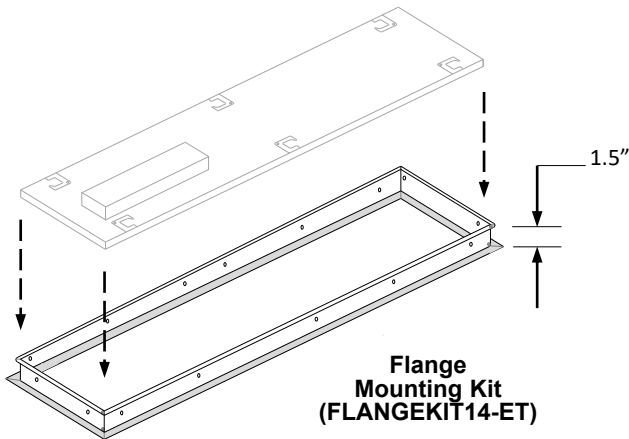
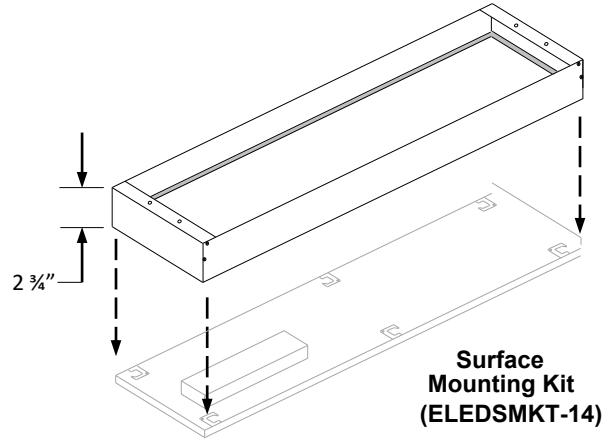
Type: _____

Part #: _____

Notes: _____

Options

- Optional surface mounting kits (SMK14) mounts below the ceiling.
- Optional flange mounting kits provide for recessed installation on plaster or other hard ceilings. Attach Flange Mount Kit (FLANGEKIT14-ET) to ceiling joists or other stationary structures, and the panel is mounted flush to the ceiling.
- Optional cable mounting kits provide additional security, as well as suspended mounting. Attach one end of the Cable Mount Kit (ELEDPNL-CMK) to luminaire earthquake clips using spring clips, and attach the other end to stationary structures using the adjustable, locking ceiling attachment (see picture below right).



Cable Mount Kit:

- Spring Clip
- Adjustable, locking ceiling attachment