

ELEDPNL2X4-35W-PRM-ECO

Premium Performance 35 Watt 2x4 Ultra-Thin Edge-Lit LED Panel



Standard

The premium-performance, ultra-thin, edge-lit LED panel (ELEDPNL-PRM-ECO) series offers industry-leading lumens per watt (LPW). It is designed to deliver general ambient lighting in a variety of indoor settings, including schools, offices, hospitals and stores, and is the perfect choice for both new construction and retrofits. This high-efficacy luminaire provides long-life and uniform illumination, as well as standard 0-10 vdc dimming capability.

Features

- Available in 3500k (warm/neutral white), 4000k (neutral white) and 5000k (cool white) color temperatures.*
- Long-life LEDs provide 188,000 hours of operation with at least 70% of initial lumen output (L70).**
- Provides 4,610 luminaire lumens (132 LPW) at 3500k; 4,715 luminaire lumens (135 LPW) at 4000k, and 4,924 luminaire lumens (141 LPW) at 5000k.*
- Uniform illumination with no visible LED pixilation.
- Universal 120-277 AC voltage (50-60Hz) is standard.
- 0-10vdc dimming capability is standard.
- Power factor > 0.90.
- Total harmonic distortion < 20%.
- Color rendering index > 80.
- Aluminum housing.
- PMMA (polymethyl methacrylate) light guide panels for optimal light distribution, efficiency and longevity.
- Easy installation in new construction or retrofit.
- Standard earthquake clips provide secure installation in grid ceilings.
- Standard mounting options include recessed mounting in grid ceilings, or suspended mounting using attached hanging brackets. For mounting in plaster or other hard ceiling, see Mounting Kits.

* Contact factory for other color temperatures and lumen packages.

** L70 hours are IES TM-21-11 calculated hours.

Ordering Information

Product Number: ELEDPNL2X4-35W-PRM-ECO LW: LL: L/W: CT: IV: A:

Model	Luminaire Watts	Luminaire Lumens	Lumens/Watt	Color Temperature	Input Voltage	Accessories (Order Separately)
ELEDPNL2X4-35W	35	4,610 4,715 4,924	132 135 141	35K = 3500K 4K = 4000k 5K = 5000k	MV-PRM-ECO = Multi-volt (120-277V)	ELEDSMKT-24 = Surface Mounting Kit (2x4) FLANGEKIT24-ET = Flange Mounting Kit (2x4) ELEDPNL-CMK = Cable Mounting Kit, Quantity 6, 1 meter long, 1/16" diameter, with spring clips & adjustable locking ceiling attachment ELEDPNL-EMBRKT = Bracket for emergency battery backup unit



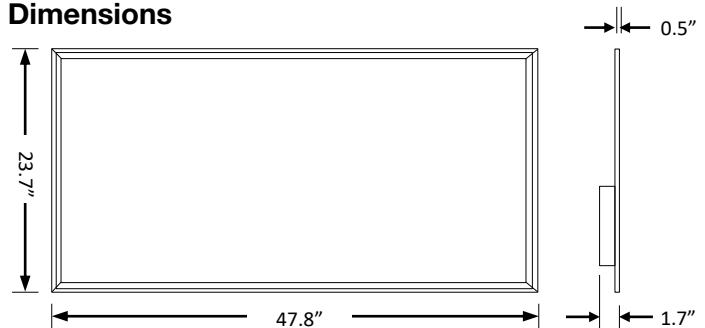
Warranty & Listings

- cETL_{US} listed for damp locations and insulated ceilings (IC-rated) for use in ambient temperatures from -25°C to 45°C (-13°F to 113°F).
- DLC premium approved.
- Flicker-free per IEEE1789-2015 (no observable adverse effects of flicker at 100% light output level).
- Complies with RoHS (Restriction on Hazardous Substances) requirements.
- Complies with FCC Part 15, part B.
- Complies with IEEE C.62.41, input transient protection (1kV).
- 5-year warranty of all electronics and housing.

Mounting Kits

- Optional surface mounting kits (*ELEDSMKT-24*), and flange mounting kits (*FLANGEKIT24-ET*) provide for installation on plaster or other hard ceilings.
- Optional cable mounting kits (*ELEDPNL-CMK*) provide additional security, as well as suspended mounting.

Dimensions



Weight: 11.5 lbs.

Electrical Data

Model	Color Temp.	CRI 1	Luminaire Lumens	Luminaire Watts	Lumens Per Watt	Input Voltage ²	Input Current (A)			Power Factor	THD ³	L70 Hours ⁴
							120V	240V	277V			
ELEDPNL2X4-35W-35KMV-PRM-ECO	3500k	> 80	4,610	35	132	120-277	0.29	0.15	0.13	> 0.90	< 20%	188,000
ELEDPNL2X4-35W-4KMV-PRM-ECO	4000k	> 80	4,715	35	135	120-277	0.29	0.15	0.13	> 0.90	< 20%	188,000
ELEDPNL2X4-35W-5KMV-PRM-ECO	5000k	> 80	4,924	35	141	120-277	0.29	0.15	0.13	> 0.90	< 20%	188,000

¹ Color rendering index.

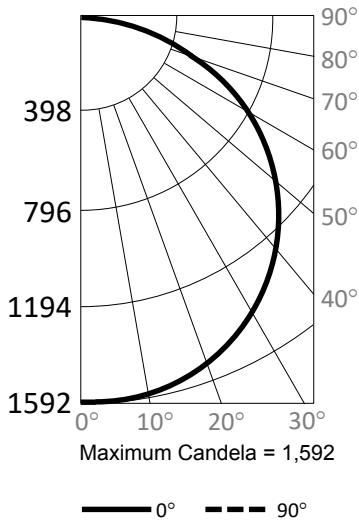
² All 50-60Hz.

³ Total harmonic distortion.

⁴ L₇₀ refers to the number of hours at which lumen output declines to 70% of the initial level. L₇₀ hours are IES TM-21-11 calculated hours.

Photometric Data

ELEDPNL2X4-35W-5KMV-PRM-ECO (4,924 Lumens)



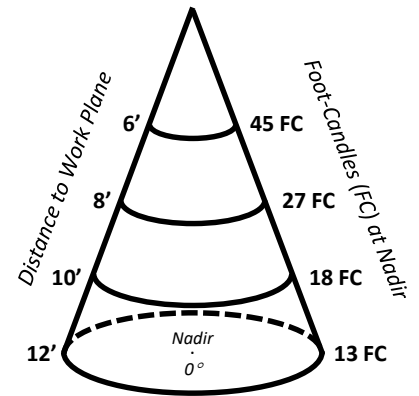
Candlepower Summary

	0°	90°
0°	1,592	1,592
10°	1,565	1,562
20°	1,500	1,486
30°	1,396	1,362
40°	1,251	1,191
50°	1,058	977
60°	815	723
70°	529	443
80°	219	166
90°	0	0

Zonal Lumen Summary

Zone	Lumens	% Fixture
0° – 10°	151	3.1%
0° – 20°	587	11.9%
0° – 30°	1,258	25.5%
0° – 40°	2,085	42.3%
0° – 50°	2,969	60.3%
0° – 60°	3,792	77.0%
0° – 70°	4,439	90.1%
0° – 80°	4,818	97.8%
0° – 90°	4,924	100.0%
90° – 180°	0	0.0%
0° – 180°	4,924	100.0%

Cone of Light



Job Name: _____

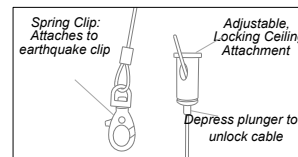
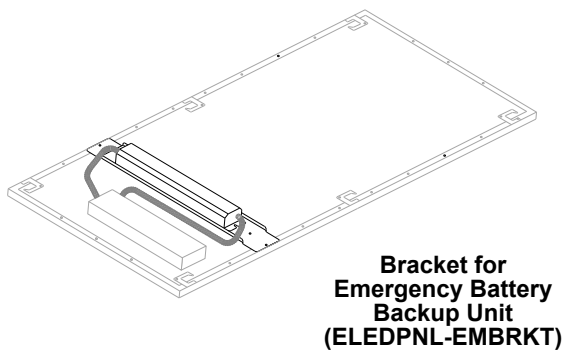
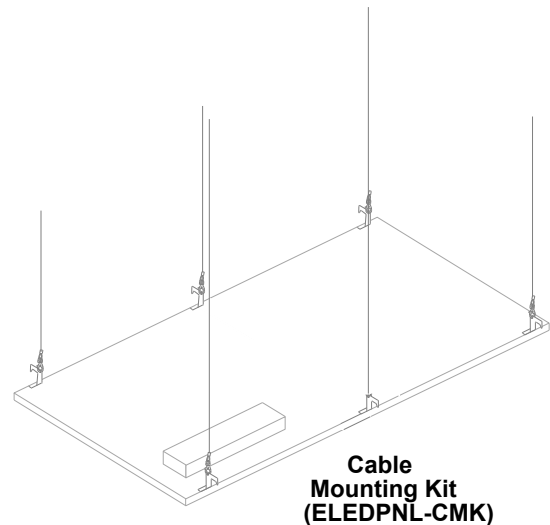
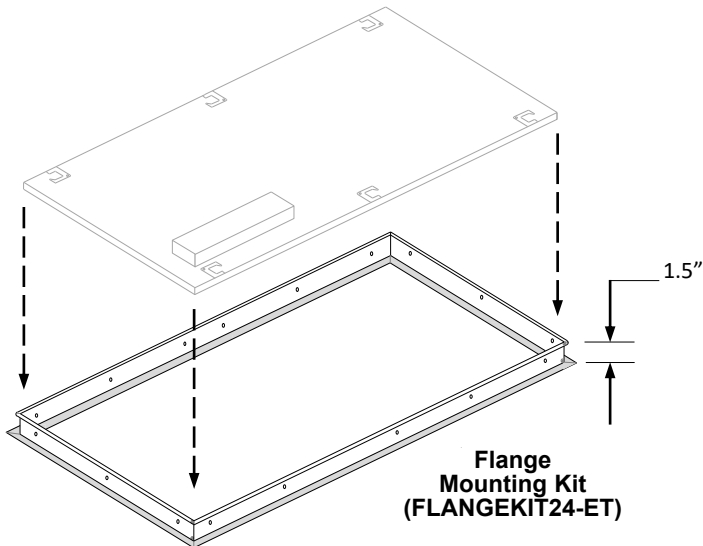
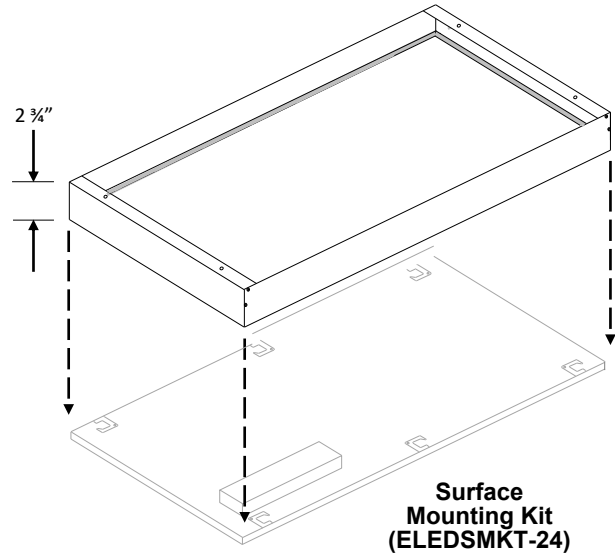
Type: _____

Part #: _____

Notes: _____

Options

- Optional surface mounting kits (ELED SMKT-24) mounts below the ceiling.
- Optional flange mounting kits provide for recessed installation on plaster or other hard ceilings. Attach Flange Mount Kit (FLANGEKIT24-ET) to ceiling joists or other stationary structures, and the panel is mounted flush to the ceiling.
- Optional cable mounting kits provide additional security, as well as suspended mounting. Attach one end of the Cable Mount Kit (ELED PNL-CMK) to luminaire earthquake clips using spring clips, and attach the other end to stationary structures using the adjustable, locking ceiling attachment (see picture below right).
- Optional bracket for emergency battery backup unit (ELED PNL-EMBRKT) provides structural support to prevent panels from bending when the battery backups are installed.



Cable Mount Kit:

- Spring Clip
- Adjustable, locking ceiling attachment