

AT 2C3

AmberLE Small LE Traverse Wall Accent Light



The LEP AmberLE ATV2 C³ II C t-off all monochromatic is available with a shielded E Type II distribution, and is certified by the Florida Wildlife Conservation Commission (WC) for wildlife applications that are directly visible from the shoreline in monochromatic AmberLE light. LEDs operate between 585 and 595 nm, greater than 560nm required by WC. Typical applications include retail centers, hotels, residential, parks, schools and universities, office buildings and medical facilities. Mounting heights up to 12 feet can be set based on light level and uniformity requirements.

Specifications and Features:

Housing: Die-Cast Aluminum Housing, Includes Cast-In Mounting Template and Mounting Level. White reflector. Die-Cast Plate stainless steel hardware. Includes all affix hardware to maintain WC Certification.

Listing & Ratings: CSA: Listed for Wet Locations, A I L 1598, 8750 IP65 sealed LED Compartment.

Finish: Textured Architectural Bronze Powdercoat finish over a Chromate Conversion Coating. Custom Colors Available upon request.

Lens: Tempered Clear Polycarbonate Lens.

Mounting Options: Mount directly over recessed electrical box or surface mount.

COB LED: 1 Cool Copper C

Wattage: 20W, System Input 43-175W Equivalent

Driver: Electronic driver, 120-277V, 50/60Hz 347-480V, 50/60Hz or 347V, 50/60Hz Less Than 20 TH and P 0.90. Internal surge Protection 6V. 0-10V dimming tan for a dimming range of 100 to 10% dimming. Current is 150 microamps.

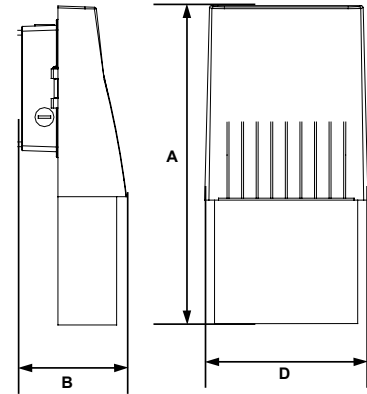
Controls: It is recommended to install Photocell or motion sensor. Controls are internally wired for 1-10V dimming. Within the housing. Remote direct wire interface of 1-10V dimming is not implied. Any other available, please consult factory. It is recommended to test with LEP controls and any other option properly with controls supplied by others. It is recommended to test with Line Voltage dimmers.

Warranty: 5-Year Warranty for -40°C to +50°C Environment.



Dimensions

Width (D)	6	168mm
Length (B)	4	115mm
Height (A)	12	327mm




Order Information:

Model	Wattage	Driver	CCT	Color	Options	Shield
AT 2C3	2 20 40		AM Amber			BF affixe
AT 2C3 AmberLE Small Traverse Wall Accent Light	2 20 40	H C 120-277V 347-480V 347V	AM Amber	bronze C C stom Cons It actory	SF in le se 120-277V nly DF o ble se 120-277V nly SP r e Protection P14 Pencil Photocell, 120-277VAC	BF affixe

Ship from Tampa location only

EPA (Effective Projected Area)

Configuration	EPA (Sq. Ft.)	Weight (Lbs.)
 1	.31	5 Lbs

Accessories & Replacement Parts:



P18110 & P18112

P18114

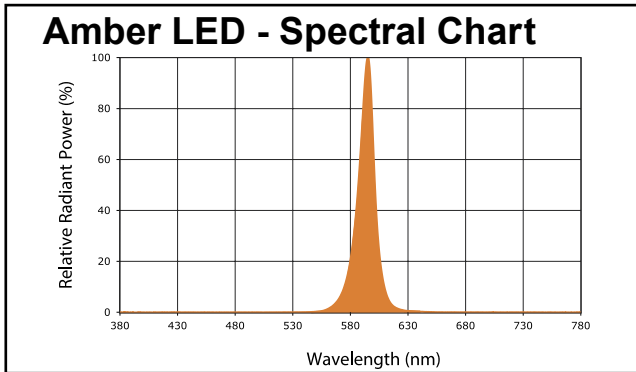
Accessories (Order Separately, Field Installed)

P18110	110-130V, 120VAC Pencil Photocell
P18112	208-277V, 240VAC Pencil Photocell

Replacement Parts (Order Separately, Field Installed)

P18114	120-277V, 50/60Hz Pencil Photocell
--------	------------------------------------

Photometric Data



Photometric Performance

LED Board Watts	Drive Current (mA)	Input Watts	Optics
COB LED 43w	525	43	Type II

Projected Lumen Maintenance

Data shown for Amber LEDs			Compare to MH			
TM-21-11	Input Watts	Initial	25,000 Hrs	50,000 Hrs	100,000 Hrs	Calculated L70@ 25°C
L70 Lumen Maintenance @ 25°C / 77°F	43	1.00	0.90	0.80	0.61	76,000
TM-21-11	Input Watts	Initial	25,000 Hrs	50,000 Hrs	100,000 Hrs	Calculated L70@ 50°C
L70 Lumen Maintenance @ 50°C / 122°F	43	1.00	0.86	0.72	0.44	54,000
TM-21-11	Input Watts	Initial	25,000 Hrs	50,000 Hrs	100,000 Hrs	Calculated L80@ 40°C
L80 Lumen Maintenance @ 40°C / 104°F	43	1.00	0.88	0.76	0.52	42,000

NOTES:

1. Projected per IESNA TM-21-11. Data references the extrapolated performance projections for the 525mA base model in a 25°C ambient, based on 10,000 hours of LED testing per IESNA LM-80-08.
2. Compare to MH box indicates suggested Light Loss Factor (LLF) to be used when comparing to Metal Halide (MH) systems.