

AWCTRS

AmberLED Up or Down Turbine LED Wall Cylinder



The LEPG AmberLED AWCTRS C3 Turbine architectural wall cylinder provides up or down lighting with narrow, medium and wide distributions designed to replace HID lighting systems from up to 100w MH or HPS for wildlife or security applications requiring monochromatic AMBER light. LEDs operate between 585 and 595nm, greater than 560nm required for wildlife protection. Typical wall mounted lighting applications include retail centers, industrial parks, schools and universities, public transit and airports, office buildings and medical facilities. Mounting heights of up to 12 feet can be used based on light level and uniformity requirements.

Specifications and Features:

Housing: Extruded Round Aluminum Housing with Built-in Heat Sinks.

Listing & Ratings:

CSA: Listed for Wet Locations, ANSI/UL 1598, 8750; IP66 Sealed LED Compartment.

Finish: Textured Architectural Bronze or Black Powdercoat Finish Over a Chromate Conversion Coating. Custom Colors Available Upon Request.

Lens: Tempered Clear Flat Glass Lens

Reflector: Wide, Medium and Narrow Distributions

Mounting Options: Mount Over a 4" Recessed Outlet Box.

COB LED: Amber COB

Wattage:

COB: 20w, System: 21w; (100w HID Equivalent)

Driver: Electronic Driver, 120-277V, 50/60Hz; Less Than 20% THD and PF>0.90. Standard Internal Surge Protection 2kV. 0-10V Dimming Standard for a Dimming Range of 100% to 10%; Dimming Source Current is 150 Microamps.

Controls: Fixtures Ordered with Factory-Installed Photocell or Motion Sensor Controls are Internally Wired for Switching and/or 1-10V Dimming Within the Housing. Remote Direct Wired Interface of 1-10V Dimming is Not Implied and May Not Be Available, Please Consult Factory. Fixtures are Tested with LEPG Controls and May Not Function Properly With Controls Supplied By Others. Fixtures are NOT Designed for Use with Line Voltage Dimmers.

Warranty: 5-Year Warranty for -40°C to +50°C Environment.

Order Information:

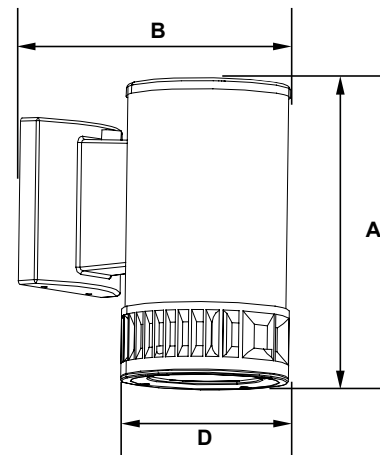
Model	Optics	LED	Wattage	Driver	CCT	Color	Options
AWCTRS		C3=Amber COB	1X20=20w	U=120-277V	AM=Amber		
AWCTRS= AmberLED Up or Down Wall Cylinder	A=70° Reflector B=100° Reflector D=30° Reflector	C3=Amber COB	1X20=20w	U=120-277V	AM=Amber	Z=Bronze B=Black C=Custom (Consult Factory)	SF=Single Fuse DF=Double Fuse SP=Surge Protection PC1=Photocell, 120VAC PC3=Photocell, 120-277VAC BU=Battery Backup, 90 Minutes



Shown with "A"
Medium Optic



Shown with "D"
Narrow Optic



Dimensions

Diameter (D)	5¾" (146mm)
Length (B)	8⅞" (226mm)
Height (A)	10¼" (260mm)

Accessories & Replacement Parts:



Accessories (Order Separately, Field Installed)

FB1V* Visor, Aluminum with Powdercoat Finish

*Specify Color: Z=Bronze, B=Black, C=Custom (Consult Factory)

Replacement Parts (Order Separately, Field Installed)

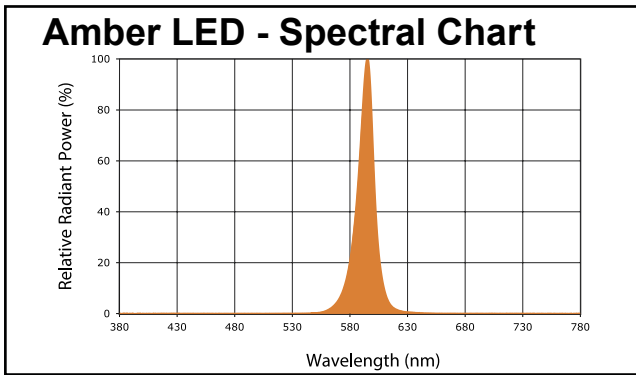
P18100 120VAC Photocell

P18103 120-277VAC Photocell

For Replacement Battery Backup, see the LEPC LED Battery Backup Specification Sheet.

*Shown Mounted

Photometric Data



Photometric Performance

LED Board Watts	Drive Current (mA)	Input Watts		Beam
LED COB 20w	525	21	A	Medium
			B	Wide
			D	Narrow

Projected Lumen Maintenance

Data shown for 4100 CCT			Compare to MH			
TM-21-11	Input Watts	Initial	25,000 Hrs	50,000 Hrs	100,000 Hrs	Calculated L70@ 25°C
L70 Lumen Maintenance @ 25°C / 77°F	21	1.00	0.92	0.83	0.66	89,000
TM-21-11	Input Watts	Initial	25,000 Hrs	50,000 Hrs	100,000 Hrs	Calculated L70@ 50°C
L70 Lumen Maintenance @ 50°C / 122°F	21	1.00	0.90	0.81	0.62	78,000
TM-21-11	Input Watts	Initial	25,000 Hrs	50,000 Hrs	100,000 Hrs	Calculated L80@ 40°C
L80 Lumen Maintenance @ 40°C / 104°F	21	1.00	0.93	0.86	0.72	72,000

NOTES:

- Projected per IESNA TM-21-11. Data references the extrapolated performance projections for the 525mA base model in a 25°C ambient, based on 10,000 hours of LED testing per IESNA LM-80-08.
- Compare to MH box indicates suggested Light Loss Factor (LLF) to be used when comparing to Metal Halide (MH) systems.