

AAS30Q

Astor Bell Pendant Decorative Pole Mounted Luminaire



The LEPG AAS30Q Astor Bell Pendant is available in Type III or V distributions with two lens options designed to replace HID lighting systems up to 250w MH or HPS. The fixture mounts to a pole single arm, pole double arm, or wall mount single arm. Typical area lighting applications include parking areas, walkways, and pedestrian public spaces. Mounting heights of 12 to 30 feet can be used based on light level and uniformity requirements.

Specifications and Features:

Housing: Die Cast Aluminum Housing, Integral Heat Sinking and Driver Compartment, Spun Aluminum Shade. Nickel-Plated Stainless Steel Hardware. Optional Twist-Lock Receptacle and Photocells are Installed on Arm Brackets (Factory Installed).

Listing & Ratings: CSA: Listed for Wet Locations, ANSI/UL 1598, 8750 IP66 Sealed LED Compartment

Finish: Textured Architectural Black Powdercoat Finish Over a Chromate Conversion Coating. Custom Colors Available Upon Request.

Lens: Clear Prismatic or Luma Lens Opal Prismatic Array Lens to Seal LED Array

Mounting Options:

Single Wall Mount Arm and Bracket, or Single or Dual Pole Mount Arms. Pole Mount Arms Accommodate 3" Tenons.

EasyLED LED: Aluminum Boards

Wattage:

37w Array: 37w, System: 39w; (70-150w HID Equivalent)

65w Array: 65.1w, System: 68w; (150-250w HID Equivalent) 84w Array: 84w, System: 86w; (150-250w HID Equivalent.)

Driver: Electronic Driver, 120-277V, 50/60Hz or 347-480V, 50/60Hz; Less Than 20% THD and PF>0.90. Standard Internal Surge Protection 6kV.

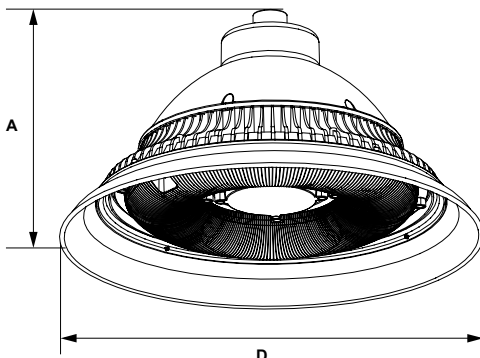
0-10V Dimming Standard for a Dimming Range of 100% to 10%; Dimming Source Current is 150 Microamps.

Controls: Fixtures Ordered with Factory-Installed Photocell or Motion Sensor Controls are Internally Wired for Switching and/or 1-10V Dimming Within the Housing. Remote Direct Wired Interface of 1-10V Dimming is Not Implied and May Not Be Available, Please Consult Factory. Fixtures are Tested with LEPG Controls and May Not Function Properly With Controls Supplied By Others. Fixtures are NOT Designed for Use with Line Voltage Dimmers.

Warranty: 5-Year Warranty for -40°C to +50°C Environment.

Dimensions

Diameter (D)	19½" (495mm)
Height (A)	11" (279mm)



Specification Guide:

Step 1:

1:



Select Fixture

Step 2:

2:



Select Arm

Step 3:

3:



Select Pole

Job Name: _____

Type: _____

Part #: _____

Notes: _____

Step 1: Select Fixture

Order Information:

Model	Optics	Wattage	Driver	CCT	Lens	Color	Options
AAS301Q = EasyLED Astor Bell Pendant	C=Type III F=Type V	1X37=37w 1X65=65w 1X84=84w	U=120-277V H=347-480V	3K=3000K* 4K=4000K 5K=5000K *84w Type V & 65w Type III Only.	C=Clear Prismatic Array Lens L=LumaLens Opal Array Lens	B=Black C=Custom (Consult Factory)	SF=Single Fuse (120-277V Only) DF=Double Fuse (120-277V Only) SP=Surge Protection S2=Microwave Sensor with Dimming for Mounting Heights of 8 to 40'. (120-277V Only) S4=Microwave On/Off Motion Sensor for Mounting Heights of 8' to 19', (120-277V Only)

Step 2: Select Arm

Order Information:

Model	Color	Options
ASWM11 = Single Wall Mount Arm ASMA11 = Single Pole Mount Arm ASMA12 = Dual Pole Mount Arm	B=Black C=Custom (Consult Factory)	R3 =3-Pin Twist Lock Photocell Receptacle R5 =5-Pin Twist Lock Photocell Receptacle R7 =7-Pin ANSI C136.41—2013 Twist Lock Photocell Receptacle Photocell Option not available with Wall Mount Arm.

Step 3: Select Pole

Order Information:

Model	Height/Shaft/Gauge (Pick One)	Color	Pole Top Mounting	Options
APSRA =Straight Round Aluminum Pole	4" Round 5mm Wall 2045=20' 5" Round 5mm Wall 2555=25'	B=Black	P3=2 5/8" x 4"H Tenon	(Leave Blank)=No Options LAB=Less Anchor Bolts (2) LBC=Less Base Cover (3)

Notes:

- PSRA poles include anchor bolts standard, consult dimension table for size based on pole dimensions.
- PSRA poles include square 2-piece black base cover.
- PSRA poles available in standard lengths as shown. Poles can be cut to lengths

See PSRA Spec Sheet for Additional Specifications and EPAs

Order Information:

Model	Shaft/Height/Style	Color	Options
PARF =Fluted Aluminum Extruded Pole	416AB=16" Anchor Base Pole 422DB=22" Direct Burial Pole	B=Black	(Leave Blank)= No Options LAB= Less Anchor Bolts (2)

Notes:

- PARF poles include anchor bolts standard.
- PARF poles include removable 3" aluminum tenon.
- PARF Poles can be cut to custom lengths. Consult factory.

See PARF Spec Sheet for Additional Specifications and EPAs

Mounting Options:



AAS301Q with Single Wall Mount Arm (ASWM11)

Single Wall Mount Arm, Black Powdercoat Finish, Includes Hardware. Mounts Directly to Wall



AAS301Q with Single Pole Mount Arm (ASMA11)

Single Pole Mount Arm, Black Powdercoat Finish, Includes Hardware. Requires 3" Tenon.



AAS301Q with Dual Pole Mount Arm (ASMA12)

Dual Pole Mount Arm, Black Powdercoat Finish, Includes Hardware. Requires 3" Tenon.

EPA (Effective Projected Area) Shown with Mounting Arms.

Configuration	EPA (Sq. Ft.)	Weight (Lbs.)	Configuration	EPA (Sq. Ft.)	Weight (Lbs.)
 1	0.64	22 Lbs	 2@180° Mount	1.28	44 Lbs

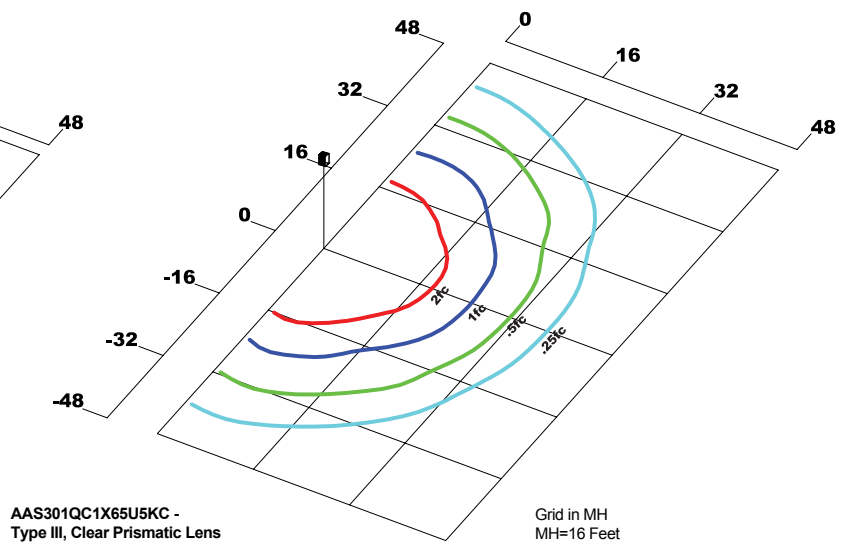
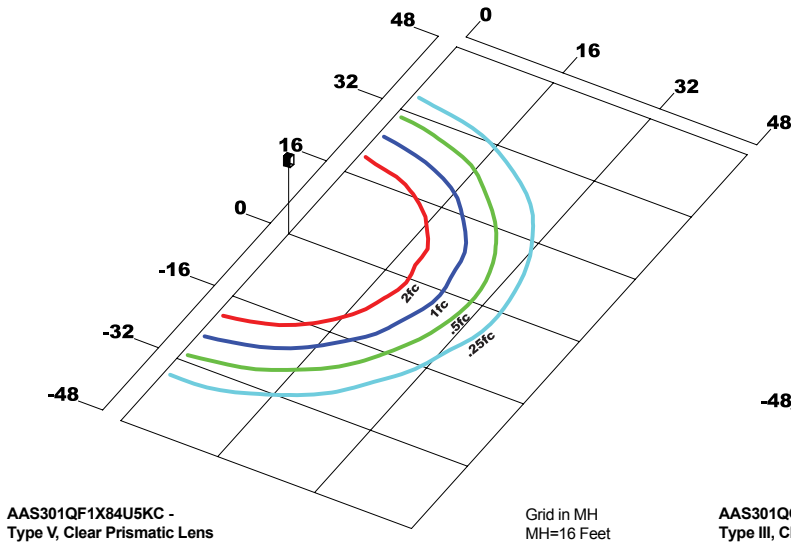
Accessories & Replacement Parts:



Accessories (Order Separately, Field Installed)	
P18131	Twist Lock Non-Shorting (Open) Cap Disconnects Service to Fixture for Temporary or Permanent Dis-abling (Fixture Always Off). IP65, 480V Maximum.
P18132	Twist Lock Shorting Cap Provides Fixed Service to Fixture (Fixture Always on). IP65, Rated Load 7200w Tungsten.
P18140	110-120VAC Instant Twist Lock Photocell
P18150	120VAC Time Delay Twist Lock Photocell
P18152	277VAC Time Delay Twist Lock Photocell
P18156	120-277VAC Universal Twist Lock Photocell
P18157	480VAC Time Delay Twist Lock Photocell. For 480V use only.

Replacement Parts (Order Separately, Field Installed)	
P17117	Internal Microwave Sensor with Dimming for Mounting Heights of 8 to 40'. 120-277VAC, 50/60Hz.
P17123	Internally Mounted Microwave On/Off Motion Sensor for Mounting Heights of 8' to 19', 120-277VAC, 50/60Hz

Photometric Data





Job Name: _____

Type: _____

Part #: _____

Notes: _____

Photometric Performance

LED Board Watts	Drive Current (mA)	Input Watts	Optics	5000 CCT 80 CRI					4000 CCT 80 CRI					3000 CCT 80 CRI				
				Lumens	LPW	B	U	G	Lumens	LPW	B	U	G	Lumens	LPW	B	U	G
EasyLED 37w	525	39	Type III (Clear Prismatic Array Lens)	3,228	83	1	0	1	3,107	80	1	0	1	-	-	-	-	-
EasyLED 65w		68	Type III (Clear Prismatic Array Lens)	5,671	83	2	0	2	5,458	80	2	0	2	5,246	77	2	0	2
EasyLED 84w		86	Type III (Clear Prismatic Array Lens)	7,067	82	2	0	2	6,802	79	2	0	2	-	-	-	-	-
			Type V (Clear Prismatic Array Lens)	9,614	112	3	3	0	8,965	104	3	3	0	8,653	101	3	3	0
			Type V (LumaLens Array Lens)	8,220	96	3	3	0	7,665	89	3	3	0	7,398	86	3	3	0

Projected Lumen Maintenance

Data shown for 5000 CCT		Compare to MH				
TM-21-11	Input Watts	Initial	25,000 Hrs	50,000 Hrs	100,000 Hrs	Calculated LED Life
L70 Lumen Maintenance @ 25°C / 77°F	All wattages up to and including 86w	1.00	0.98	0.97	0.94	473,000
L70 Lumen Maintenance @ 50°C / 122°F		1.00	0.97	0.95	0.90	290,000
L80 Lumen Maintenance @ 40°C / 104°F		1.00	0.98	0.95	0.91	220,000

- NOTES:
 1. Projected per IESNA TM-21-11. Data references the extrapolated performance projections for the 525mA base model in a 25°C ambient, based on 10,000 hours of LED testing per IESNA LM-80-08.
 2. Compare to MH box indicates suggested Light Loss Factor (LLF) to be used when comparing to Metal Halide (MH) systems.