

## APFS80Q

EasyLED Reveal Open Large Square Post Top



The LEPG APFS80Q Reveal Architectural Open Large Square Post Top is available in Type III or V distributions with two lens options designed to replace HID lighting systems up to 1000w MH or HPS. The fixture mounts to a pole top tenon. Typical area lighting applications include parking areas, walkways, and street lighting applications. Mounting heights of 12 to 30 feet can be used based on light level and uniformity requirements.

### Specifications and Features:

**Housing:** Die Cast Aluminum Housing, Integral Heat Sinking. Photocell Adaptable.

**Listing & Ratings:** CSA: Listed for Wet Locations, ANSI/UL 1598, 8750; IP66 Sealed LED Compartment.

**Finish:** Black Powdercoat Finish Over a Chromate Conversion Coating. Custom Colors Available Upon Request.

**Lens:** Clear UV-Stabilized Polycarbonate or SoftLED LumaLens Opal UV-Stabilized Polycarbonate Vandal-Resistant Array Lens to Seal LED Array

**Mounting Options:** Accommodates "P3" 2 1/8" O.D. x 3" Tenons

**EasyLED LED:** Aluminum Boards

**Wattage:**

100w Array: 100w, System: 108w; (150-250w HID Equivalent)

176w Array: 176w, System: 190w; (400-1000w HID Equivalent)

**Driver:** Electronic Driver, 120-277V, 50/60Hz or 347-480V, 50/60Hz; Less Than 20% THD and PF>0.90. Standard Internal Surge Protection 6kV. 0-10V Dimming Standard for a Dimming Range of 100% to 10%; Dimming Source Current is 150 Microamps.

**Controls:** Fixtures Ordered with Factory-Installed Photocell or Motion Sensor Controls are Internally Wired for Switching and/or 1-10V Dimming Within the Housing. Remote Direct Wired Interface of 1-10V Dimming is Not Implied and May Not Be Available, Please Consult Factory. Fixtures are Tested with LEPG Controls and May Not Function Properly With Controls Supplied By Others. Fixtures are NOT Designed for Use with Line Voltage Dimmers.

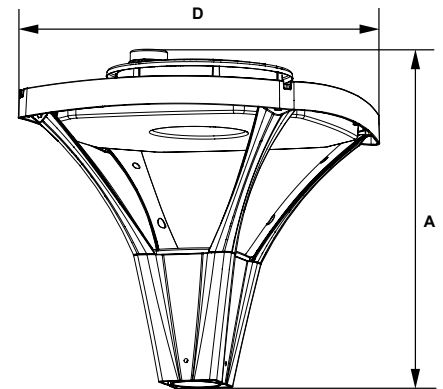
**Warranty:** 5-Year Warranty for -40°C to +50°C Environment.



### Dimensions

**Width (D)** | 21 3/4" (551mm)

**Height (A)** | 23 1/4" (589mm)



Model	Optics	Wattage	Driver	CCT	Lens	Color	Options
APFS80Q							
APFS80Q= EasyLED Reveal Open Large Square Post Top	C=Type III F=Type V	1X100=100w 1X176=176w	U=120-277V H=347-480V	4K=4000K 5K=5000K	C=Clear UV-Stabilized Polycarbonate Array Lens L=SoftLED LumaLens Opal UV-Stabilized Polycarbonate Array Lens	B=Black C=Custom (Consult Factory)	SF=Single Fuse (120-277V Only) DF=Double Fuse (120-277V Only) SP=Surge Protection R3=3-Pin Twist Lock Photocell Receptacle R5=5-Pin Twist Lock Photocell Receptacle R7=7-Pin ANSI C136.41—2013 Twist Lock Photocell Receptacle S2=Microwave Sensor with Dimming for Mounting Heights of 8 to 40'. (120-277V Only) S4=Microwave On/Off Motion Sensor for Mounting Heights of 8' to 19', (120-277V Only)

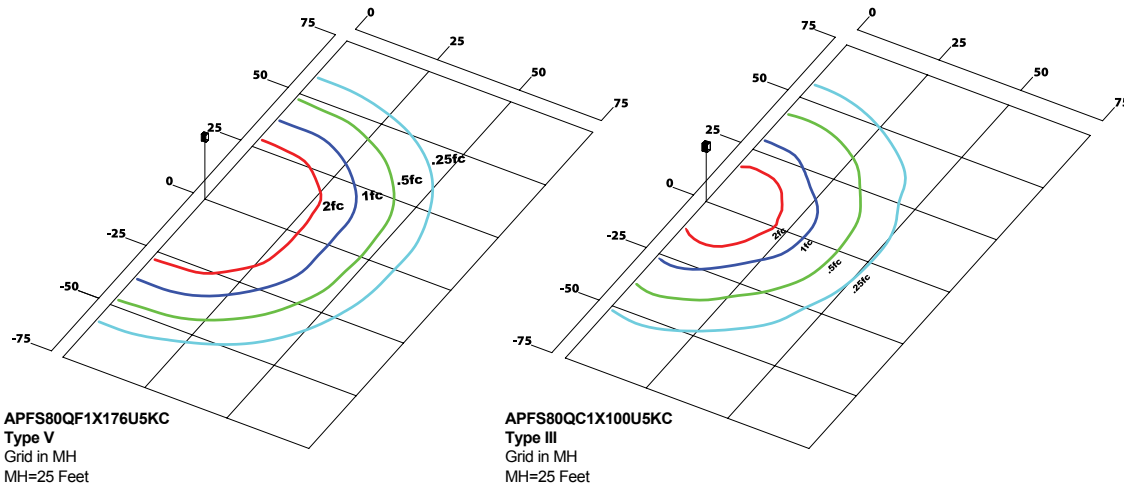
**Accessories & Replacement Parts:**



Accessories (Order Separately, Field Installed)	
P18131	Twist Lock Non-Shorting (Open) Cap Disconnects Service to Fixture for Temporary or Permanent Dis-abling (Fixture Always Off). IP65, 480V Maximum.
P18132	Twist Lock Shorting Cap Provides Fixed Service to Fixture (Fixture Always on). IP65, Rated Load 7200w Tungsten.
P18140	110-120VAC Instant Twist Lock Photocell
P18150	120VAC Time Delay Twist Lock Photocell
P18152	277VAC Time Delay Twist Lock Photocell
P18156	120-277VAC Universal Twist Lock Photocell
P18157	480VAC Time Delay Twist Lock Photocell. For 480V use only.

Replacement Parts (Order Separately, Field Installed)	
PFS80ALL	SoftLED LumaLens Opal UV-Stabilized Polycarbonate Array Lens
P17117	Internal Microwave Sensor with Dimming for Mounting Heights of 8 to 40'. 120-277VAC, 50/60Hz
P17123	Internally Mounted Microwave On/Off Motion Sensor for Mounting Heights of 8' to 19', 120-277VAC, 50/60Hz

**Photometric Data**



**EPA (Effective Projected Area)**

EPA (Sq. Ft.)	Weight (Lbs.)
1.70	32 Lbs

**Photometric Performance**

LED Board Watts	Drive Current (mA)	Input Watts	Optics	5000 CCT 80 CRI				4000 CCT 80 CRI					
				Lumens	LPW	B	U	G	Lumens	LPW	B	U	G
EasyLED 100w	525	108	Type III Clear	7,959	74	2	0	2	7,661	71	2	0	2
EasyLED 176w		190	Type III Clear	14,008	74	3	0	3	13,483	71	3	0	3
			Type V Clear	19,509	103	4	2	2	19,022	100	4	2	2
			Type V Opal	16,680	88	3	2	2	16,264	85	3	2	1

**Projected Lumen Maintenance**

Data shown for 5000 CCT TM-21-11		Compare to MH				
Input Watts	Initial	25,000 Hrs	50,000 Hrs	100,000 Hrs	Calculated LED Life	
L70 Lumen Maintenance @ 25°C / 77°F	All wattages up to and including 190w	1.00	0.98	0.96	0.92	362,000
L70 Lumen Maintenance @ 50°C / 122°F		1.00	0.96	0.92	0.84	183,000
L80 Lumen Maintenance @ 40°C / 104°F		1.00	0.97	0.94	0.88	167,000

NOTES:  
 1. Projected per IESNA TM-21-11. Data references the extrapolated performance projections for the 525mA base model in a 25°C ambient, based on 10,000 hours of LED testing per IESNA LM-80-08.  
 2. Compare to MH box indicates suggested Light Loss Factor (LLF) to be used when comparing to Metal Halide (MH) systems.