

EINDWLEZU

NEMA4X/NSF EXIT SIGN

STANDARD				OPTIONAL		



ILLUMINATION
 Ultra bright, energy efficient, long life Red or Green LEDs.

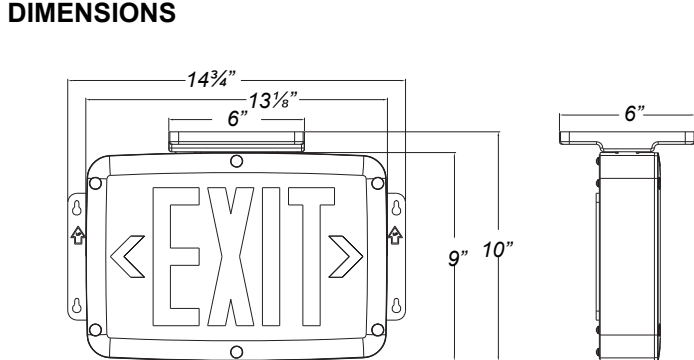
ELECTRICAL
 Dual 120/277 voltage.
 Unique bi-color LED indicator light alerts occupant on battery condition (Green-normal, Red-check-battery).
 Charge rate/power "ON" LED indicator light and magnetic test switch for mandated code compliance testing.
 4.8V long-life, maintenance-free, rechargeable NiCd battery (EM models only). Internal solid-state transfer switch automatically connects the internal battery to LED board for minimum 90-minute emergency illumination. Fully automatic solid-state, two-rate charger initiates battery charging to recharge a discharged battery in 24 hours.

MOUNTING
 Universal knockout pattern on back provided with gasket for watertight seal for back mount.
 Polycarbonate mounting canopy included for top or end mount.

HOUSING
 Housing is reinforced polycarbonate construction in white, gray or black finish. Corrosion-resistant enclosure with one piece, high-impact resistant, UV stabilized polycarbonate lens and molded gasket with stainless steel screws.
 Knockout's provided for conduit feed applications.
 EZ snap-out Chevron directional indicators.

OPTIONS
 SDT: Self-diagnostic feature performs monthly, biannual, and annual tests to ensure reliable operation and meets electrical and life safety codes.
 2C-120V/2C-277V: Voltage-specific dual circuit option on the AC-only unit enables it to be connected to two different.
 TP: Tamper-proof hardware helps discourage unauthorized access to the unit.

WARRANTY / LISTING
 SDT: Self-diagnostic feature performs monthly, biannual, and annual tests to ensure reliable operation and meets electrical and life safety codes.
 2C-120V/2C-277V: Voltage-specific dual circuit option on the AC-only unit enables it to be connected to two different.
 TP: Tamper-proof hardware helps discourage unauthorized access to the unit.



ORDERING INFORMATION:

MODEL	No. of FACES	LETTER COLOR	HOUSING COLOR	BATTERY	OPTIONS
EINDWLEZU	1 2	R Red G Green	W White B Black G Gray	(blank) AC-Only EM NiCd Battery	SDT 2C-120 2C-277 TP Self-Diagnostics 1 Dual Circuit With 120V Input 2 Dual Circuit With 277V Input 2 Tamper-Proof