

Job Name: \_\_\_\_\_

Type: \_\_\_\_\_

Part #: \_\_\_\_\_

Notes: \_\_\_\_\_

## EXTSL

### ABS Plastic Frame Self-Luminous Exit Sign



#### FEATURES

Requires no electricity or external light source.  
 Maintenance free – no lamps or batteries to replace.  
 Tamper-proof design.  
 Easy to install – no wiring required.  
 Ideal for damp, wet, explosion proof, and extreme temperature applications.  
 Special wording and pictographs available.  
 Service life – 10 or 20 year options available.

#### CONSTRUCTION

Flame retardant, UV stabilized, injection molded ABS frame.

#### LETTERS

6" high; 0.75" stroke.

#### ARROWS

Universal chevrons.

#### VIEWING DISTANCE

100 foot visibility rating.

#### TECHNOLOGY

Self-Luminous Signs are illuminated with a light source that consists of glass tubes which are internally coated with phosphor and filled with tritium gas—a natural hydrogen isotope.

#### APPROVALS

UL Listed to standard UL924 & CAN/ULC-S572  
 NFPA 101 Life Safety Code  
 NEC Article 500, Class 1, 11, and 111 conditions

#### TEMPERATURE RATING

From -67°F to 176°F



#### WEIGHT

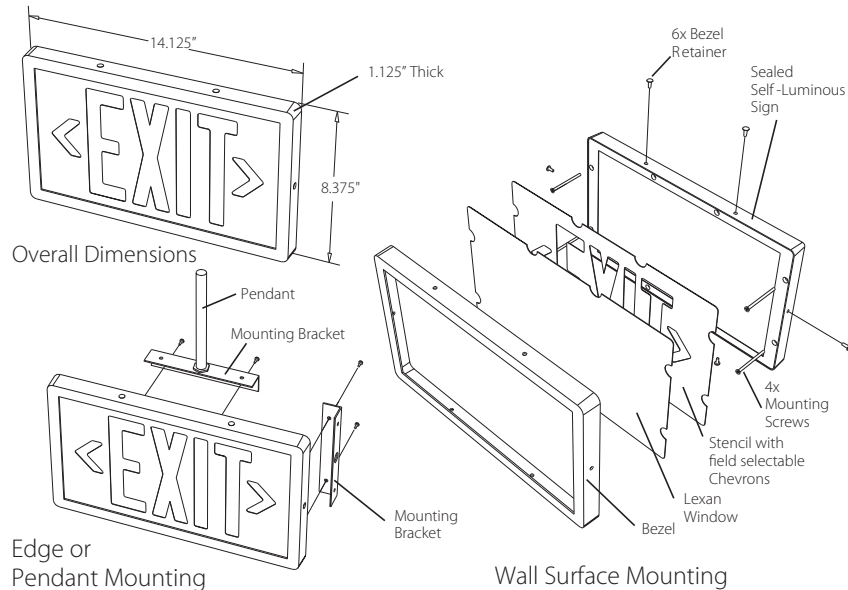
Single Face: 2.5 lb

Double Face: 5 lb

#### WARRANTY

Our self-luminous products are warranted against any defects in material or workmanship for the rated life of the product. For further details, refer to General Warranty and Obligations in the manual or on our website.

#### DIMENSIONS



#### ORDERING INFORMATION

Series	Faces	Service Life	Face Color	Frame Color	Options	Mounting	Note
EXTSL							
EXTSL	S = Single D = Double <sup>1</sup>	10 = 10 Years 20 = 20 Years	R = Red G = Green BK = Black	WH = White BK = Black GY = Gray	CW = Custom Wording RS = Polycarbonate Cover	UN = Universal Mounting Bracket PA = 12" Swivel Pendant PB = 24" Swivel Pendant PC = 36" Swivel Pendant PD = 48" Swivel Pendant	<b>NOTE</b> 1 = Consists of (2) Single units mounted back to back. Includes conversion hardware.

08.2019