

EBLEDPNL1X4-PRM

1x4 Premium Back-Lit LED Panel

STANDARD



Features

- Available in 3500k (warm/neutral white), 4000k (neutral white) & 5000k (cool white) color temperatures.*
- Long-life LEDs provide at least 144,000 hours of operation with at least 70% of initial lumen output (L₇₀).**
- Provides 4,124 to 4,169 luminaire lumens, and 128 to 129 lumens per watt.*
- Uniform illumination with no visible LED pixilation.
- Universal 120-277 AC voltage (50-60Hz) is standard.
- 0-10vdc dimming capability is standard.
- Power factor > 90.
- Total harmonic distortion < 20%.
- Color rendering index > 80.
- Aluminum frame and steel housing backplate.
- PMMA (polymethyl methacrylate) LED lenses for optimal light distribution, efficiency and longevity.
- Easy installation in new construction or retrofit.
- Standard earthquake clips provide secure installation in grid ceilings.
- Standard mounting options include recessed mounting in grid ceilings, or suspended mounting using attached hanging brackets. For mounting in plaster or other hard ceiling, see Mounting Kits.

Mounting Kits

- Optional Surface Mount Kits (LEDSMKT-14) and Flange Mounting Kits (FLANGEKIT14-ET) provide for installation on plaster or other hard ceilings.
- Optional Cable Mounting Kits (LEDPNL-CMK) provide additional security, as well as suspended mounting.

Ordering Information

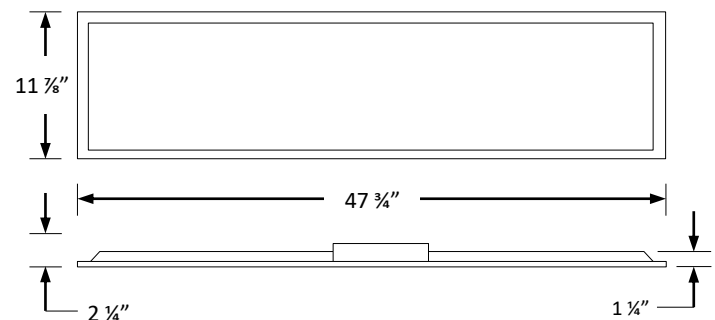
| Series | Nominal Lumens | DLC | Options (Order Separately) |
|----------------|----------------|-----|--|
| | 40L | PRM | |
| EBLEDPNL1X435K | 40L | PRM | LEDSMKT-14 Surface Mounting Kit (1x4), Back-Lit Panels |
| EBLEDPNL1X44K | | | FLANGEKIT14-ET Flange Mounting Kit (1x4) |
| EBLEDPNL1X45K | | | LEDPNL-CMK Cable Mounting Kit, Quantity 6, 1 meter long, 1/16" diameter, with spring clips & adjustable, locking ceiling attachment |



Warranty & Listings

- cULus for damp locations and insulated ceilings (Type IC-rated). Suitable for ambient temperatures from -20°C to 40°C (-4°F to 104°F).
- DLC premium approved.
- Flicker-free per IEEE1789-2015 (no observable adverse effects of flicker at 100% light output level).
- Complies with RoHS (Restriction on Hazardous Substances) requirements.
- Complies with FCC Part 15, class B.
- Complies with EN61000-4-5, surge immunity protection (1kV).
- 5-year warranty of all electronics and housing.

Dimensions



Weight: 5 lbs.

Electrical Data

| Model | Color Temperature | CRI ¹ | Luminaire Lumens | Luminaire Watts | Lumens Per Watt | Input Voltage ² | Input Current (A) | | | Power Factor | THD ³ | L ₇₀ Hours ⁴ |
|-------------------------|-------------------|------------------|------------------|-----------------|-----------------|----------------------------|-------------------|------|------|--------------|------------------|------------------------------------|
| | | | | | | | 120V | 240V | 277V | | | |
| EBLEDPNL1X4-40L-35K-PRM | 3500K | > 80 | 4,124 | 32 | 128 | 120-277 | 0.27 | 0.13 | 0.12 | > 90% | < 20% | 144,000 |
| EBLEDPNL1X4-40L-4K-PRM | 4000K | > 80 | 4,147 | 32 | 129 | 120-277 | 0.27 | 0.13 | 0.12 | > 90% | < 20% | 144,000 |
| EBLEDPNL1X4-40L-5K-PRM | 5000K | > 80 | 4,169 | 32 | 129 | 120-277 | 0.27 | 0.13 | 0.12 | > 90% | < 20% | 144,000 |

¹ Color rendering index.

² All 50-60Hz.

³ Total harmonic distortion.

⁴ L₇₀ refers to the number of hours at which lumen output declines to 70% of the initial level. L₇₀ hours are IES TM-21-11 calculated hours.

Photometric Data

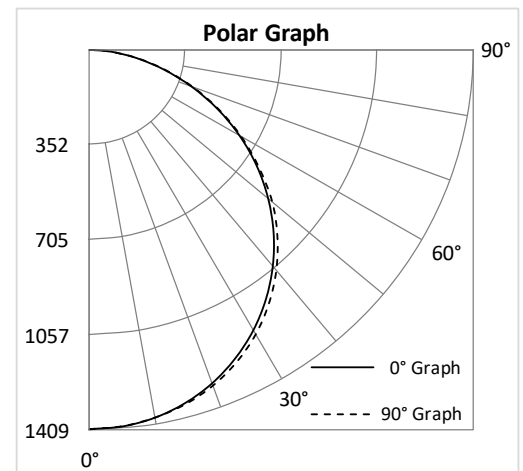
EBLEDPNL1X4-40L-5K-PRM

Luminaire Data

| | |
|-----------------------------|--|
| Description | 1x4 Premium Back Lit LED Panel - 40L 5K |
| Total Lumens | 4,169 |
| Input Wattage | 32 |
| Efficacy (lm/W) | 129 |
| Spacing Criterion (0-180°) | 1.28 |
| Spacing Criterion (90-270°) | 1.30 |

Zonal Lumen Summary

| Zone | Lumens | %Fixt |
|---------|--------|--------|
| 0-20° | 518 | 12.4% |
| 0-30° | 1,104 | 26.5% |
| 0-40° | 1,818 | 43.6% |
| 20-50° | 2,047 | 49.1% |
| 40-70° | 1,945 | 46.7% |
| 0-60° | 3,242 | 77.8% |
| 0-80° | 4,071 | 97.6% |
| 0-90° | 4,162 | 99.8% |
| 90-180° | 6 | 0.2% |
| 0-180° | 4,169 | 100.0% |

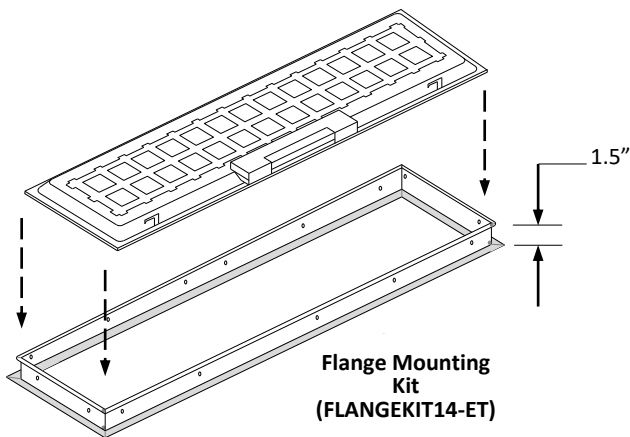
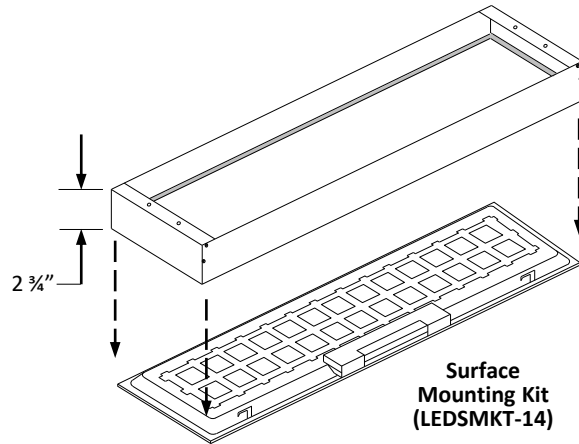


Compatible Dimmers

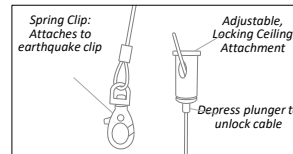
| Manufacture | Model Number | Dimming Range | Load Switching Capacity |
|------------------|--------------|---------------|-------------------------|
| Lutron | DVSTV | 10%-100% | 450W |
| Leviton | IP710-LFZ | 10%-100% | 1200W |
| General Protecht | DMD-LED3-102 | 10%-100% | 600W |

Mounting Means – ORDER SEPERATATLY

- Optional surface mounting kits (LEDSMKT-14) mounts below the ceiling.
- Optional flange mounting kits provide for recessed installation on plaster or other hard ceilings. Attach Flange Mount Kit (FLANGEKIT14-ET) to ceiling joists or other stationary structures, and the panel is mounted flush to the ceiling.
- Optional cable mounting kits provide additional security, as well as suspended mounting. Attach one end of the Cable Mount Kit (LEDPNL-CMK) to luminaire earthquake clips using spring clips, and attach the other end to stationary structures using the adjustable, locking ceiling attachment (see picture below right).



Cable Mounting Kit (LEDPNL-CMK)



Cable Mount Kit:

- Spring Clip
- Adjustable, locking ceiling attachment