

## EBLEDPNL2X2

2x2 Back-Lit LED Panel

### STANDARD



### Features

- Available in 3500k (warm/neutral white), 4000k (neutral white) & 5000k (cool white) color temperatures.\*
- Long-life LEDs provide 144,000 hours of operation with at least 70% of initial lumen output (L<sub>70</sub>).\*\*
- Provides 4,259 to 4,449 luminaire lumens, and 118 to 123 lumens per watt.\*
- Uniform illumination with no visible LED pixilation.
- Universal 120-277 AC voltage (50-60Hz) is standard.
- 0-10vdc dimming capability is standard.
- Power factor > 90.
- Total harmonic distortion < 20%.
- Color rendering index > 80.
- Aluminum frame and steel housing backplate.
- PMMA (polymethylmethacrylate) LED lenses for optimal light distribution, efficiency and longevity.
- Easy installation in new construction or retrofit.
- Standard earthquake clips provide secure installation in grid ceilings.
- Standard mounting options include recessed mounting in grid ceilings, or suspended mounting using attached hanging brackets. For mounting in plaster or other hard ceiling, see Mounting Kits.

### Mounting

- Optional Surface Mount Kits (LEDSMKT-22) and Flange Mounting Kits (FLANGEKIT22-ET) provide for installation on plaster or other hard ceilings.
- Optional Cable Mounting Kits (LEDPNL-CMK) provide additional security, as well as suspended mounting.

### Ordering Information

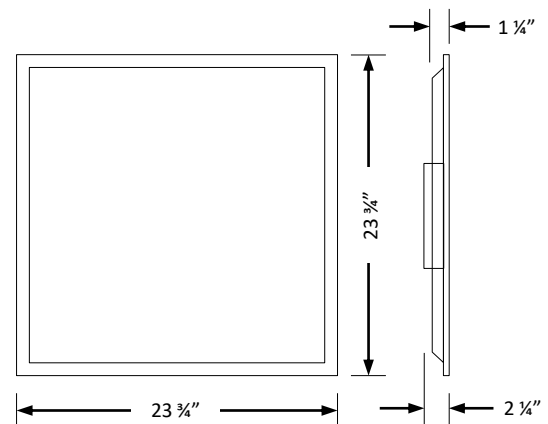
Series	Nominal Lumens	DLC	Emergency Driver
	40L	PRM	
EBLEDPNL2X235K	40L	PRM	See options below
EBLEDPNL2X24K			
EBLEDPNL2X25K			



### Warranty & Listings

- cULus for damp locations and insulated ceilings (Type IC-rated). Suitable for ambient temperatures from -20°C to 40°C (-4°F to 104°F).
- to 104°F).
- DLC approved.
- Flicker-free per IEEE1789-2015 (no observable adverse effects of flicker at 100% light output level).
- Complies with RoHS (Restriction on Hazardous Substances) requirements.
- Complies with FCC Part 15, class B.
- Complies with EN61000-4-5, surge immunity protection (1kV).
- 5-year warranty of all electronics and housing.

### Dimensions



**Weight: 5 lbs.**

## Electrical Data

Model	Color Temperature	CRI <sup>1</sup>	Luminaire Lumens	Luminaire Watts	Lumens Per Watt	Input Voltage <sup>2</sup>	Input Current (A)			Power Factor	THD <sup>3</sup>	L <sub>70</sub> Hours <sup>4</sup>
							120V	240V	277V			
EBLEDPNL2X2-40L-35K	3500K	> 80	4,259	36	118	120-277	0.30	0.15	0.13	> 90%	< 20%	144,000
EBLEDPNL2X2-40L-4K	4000K	> 80	4,354	36	121	120-277	0.30	0.15	0.13	> 90%	< 20%	144,000
EBLEDPNL2X2-40L-5K	5000K	> 80	4,449	36	123	120-277	0.30	0.15	0.13	> 90%	< 20%	144,000

<sup>1</sup> Color rendering index.

<sup>2</sup> All 50-60Hz.

<sup>3</sup> Total harmonic distortion.

<sup>4</sup> L<sub>70</sub> refers to the number of hours at which lumen output declines to 70% of the initial level. L<sub>70</sub> hours are IES TM-21-11 calculated hours.

## Photometric Data

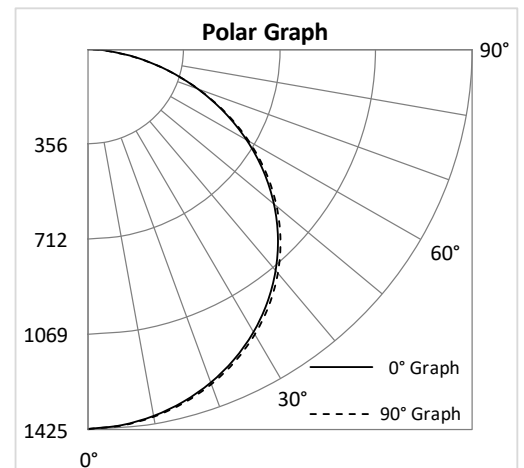
### EBLEDPNL2X2-40L-5K

#### Luminaire Data

Description	2x2 Back Lit LED Panel - 40L 5K
Total Lumens	4,449
Input Wattage	36
Efficacy (lm/W)	123
Spacing Criterion (0-180°)	1.30
Spacing Criterion (90-270°)	1.30

#### Zonal Lumen Summary

Zone	Lumens	%Fixt
0-20°	525	11.8%
0-30°	1,126	25.3%
0-40°	1,870	42.0%
20-50°	2,142	48.1%
40-70°	2,122	47.7%
0-60°	3,409	76.6%
0-80°	4,341	97.6%
0-90°	4,445	99.9%
90-180°	4	0.1%
0-180°	4,449	100.0%



### Compatible Emergency Drivers

Emergency Driver Part Number	EM8 / EC8		EM12 / EC12		EM16 / EC16		EM20 / EC20		EM24 / EC24		Runtime
Model	Watts	EM Lumens	Watts	EM Lumens	Watts	EM Lumens	Watts	EM Lumens	Watts	EM Lumens	
EBLEDPNL2X2-40L-xK	5.0	590	7.8	920	10.7	1263	13.7	1617	17.0	2006	90 MINS.
EBLEDPNL2X2-50L-xK	5.0	600	7.8	936	10.7	1284	13.7	1644	17.0	2040	
EBLEDPNL2X2-40L-xK-PRM	5.0	640	7.8	998	10.7	1370	13.7	1754	17.0	2176	
EBLEDPNL2X2-40L-xK-PRM	5.0	645	7.8	1006	10.7	1380	13.7	1767	17.0	2193	
EBLEDPNL2X2-50L-xK-PRM	5.0	655	7.8	1022	10.7	1402	13.7	1795	17.0	2227	
EBLEDPNL2X2-70L-xK-PRM	5.0	655	7.8	1022	10.7	1402	13.7	1795	17.0	2227	

### Compatible Dimmers

Manufacture	Model Number	Dimming Range	Load Switching Capacity
Lutron	DVSTV	10%-100%	450W
Leviton	IP710-LFZ	10%-100%	1200W
General Protecht	DMD-LED3-102	10%-100%	600W

Job Name: \_\_\_\_\_

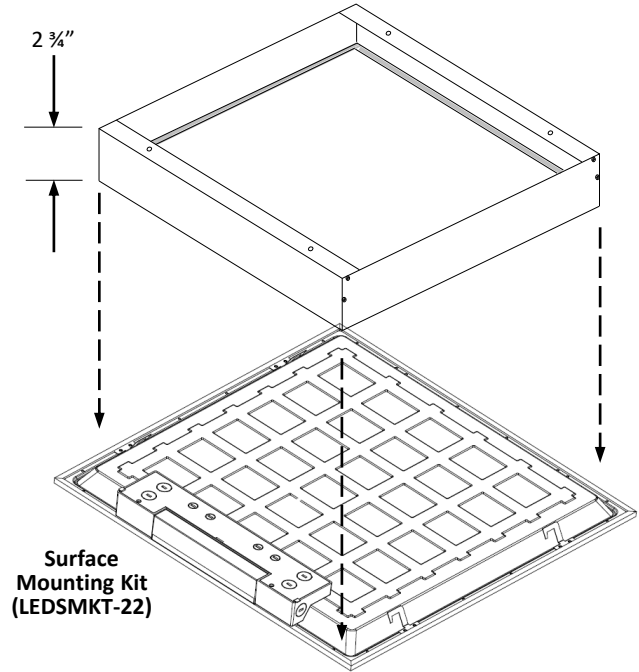
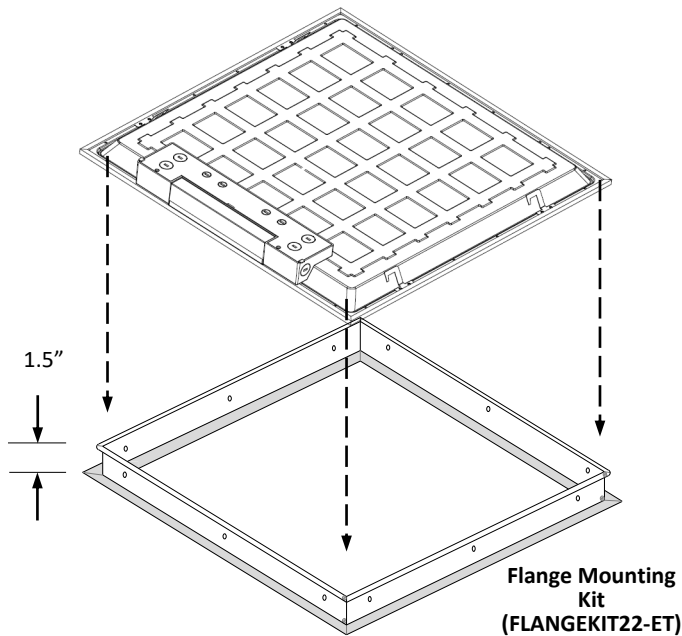
Type: \_\_\_\_\_

Part #: \_\_\_\_\_

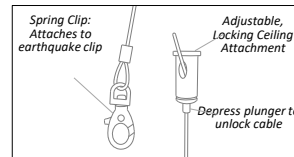
Notes: \_\_\_\_\_

## Mounting Means – ORDER SEPERATATLY

- Optional surface mounting kits (LEDSMKT-22) mounts below the ceiling.
- Optional flange mounting kits provide for recessed installation on plaster or other hard ceilings. Attach Flange Mount Kit (FLANGEKIT22-ET) to ceiling joists or other stationary structures, and the panel is mounted flush to the ceiling.
- Optional cable mounting kits provide additional security, as well as suspended mounting. Attach one end of the Cable Mount Kit (LEDPNL-CMK) to luminaire earthquake clips using spring clips, and attach the other end to stationary structures using the adjustable, locking ceiling attachment (see picture below right).



### Cable Mounting Kit (LEDPNL-CMK)



### Cable Mount Kit:

- Spring Clip
- Adjustable, locking ceiling attachment