

EBLEDPNL2X4
 2x4 Back-Lit LED Panel

STANDARD



FEATURES

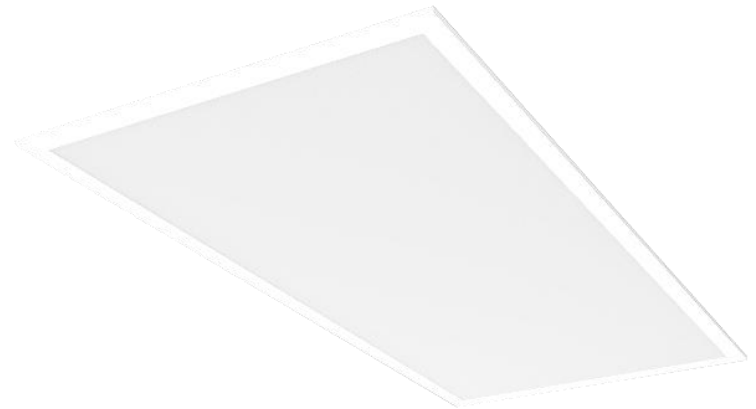
- Available in 3500k (warm/neutral white), 4000k (neutral white) & 5000k (cool white) color temperatures.*
- Long-life LEDs provide at least 144,000 hours of operation with at least 70% of initial lumen output (L₇₀).**
- Provides 4,950 to 5,149 luminaire lumens, and 115 to 121 lumens per watt.*
- Uniform illumination with no visible LED pixilation.
- Universal 120-277 AC voltage (50-60Hz) is standard.
- 0-10vdc dimming capability is standard.
- Power factor > 90.
- Total harmonic distortion < 20%.
- Color rendering index > 80.
- Aluminum frame and steel housing backplate.
- PMMA (polymethyl methacrylate) LED lenses for optimal light distribution, efficiency and longevity.
- Easy installation in new construction or retrofit.
- Standard earthquake clips provide secure installation in grid ceilings.
- Standard mounting options include recessed mounting in grid ceilings, or suspended mounting using attached hanging brackets. For mounting in plaster or other hard ceiling, see Mounting Kits.

* Contact factory for other color temperatures and lumen packages.

** L₇₀ hours are IES TM-21-11 calculated hours.

ORDERING INFORMATION

Series	Nominal Lumens	Options (Order Separately)
	50L	
EBLEDPNL2X435K EBLEDPNL2X44K EBLEDPNL2X45K	50L	See options below



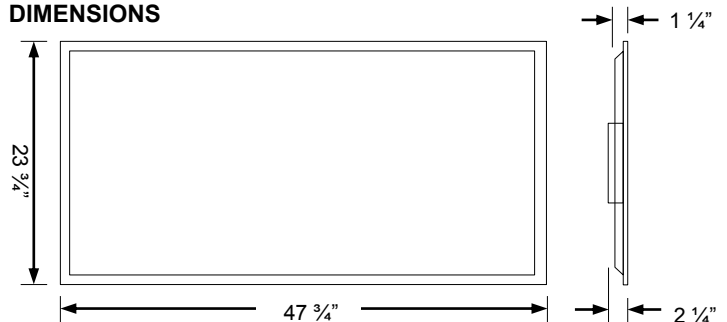
WARRANTY & LISTINGS

- cULus for damp locations and insulated ceilings (Type IC-rated). Suitable for ambient temperatures from -20°C to 40°C (-4°F to 104°F).
- DLC approved.
- Flicker-free per IEEE1789-2015 (no observable adverse effects of flicker at 100% light output level).
- Complies with RoHS (Restriction on Hazardous Substances) requirements.
- Complies with FCC Part 15, class B.
- Complies with EN61000-4-5, surge immunity protection (1kV).
- 5-year warranty of all electronics and housing.

MOUNTING

- Optional Surface Mount Kits (LEDSMKT-24) and Flange Mounting Kits (FLANGEKIT24-ET) provide for installation on plaster or other hard ceilings.
- Optional Cable Mounting Kits (LEDPNL-CMK) provide additional security, as well as suspended mounting.

DIMENSIONS



Electrical Data

Model	Color Temperature	CRI ¹	Luminaire Lumens	Luminaire Watts	Lumens Per Watt	Input Voltage ²	Input Current (A)			Power Factor	THD ³	L ₇₀ Hours ⁴
							120V	240V	277V			
EBLEDPNL2X4-50L-35K	3500K	> 80	4,950	43	115	120-277	0.36	0.18	0.16	> 90%	< 20%	144,000
EBLEDPNL2X4-50L-4K	4000K	> 80	5,049	43	118	120-277	0.36	0.18	0.16	> 90%	< 20%	144,000
EBLEDPNL2X4-50L-5K	5000K	> 80	5,149	43	121	120-277	0.36	0.18	0.16	> 90%	< 20%	144,000

¹ Color rendering index.

² All 50-60Hz.

³ Total harmonic distortion.

⁴ L₇₀ refers to the number of hours at which lumen output declines to 70% of the initial level. L₇₀ hours are IES TM-21-11 calculated hours.

PHOTOMETRIC DATA

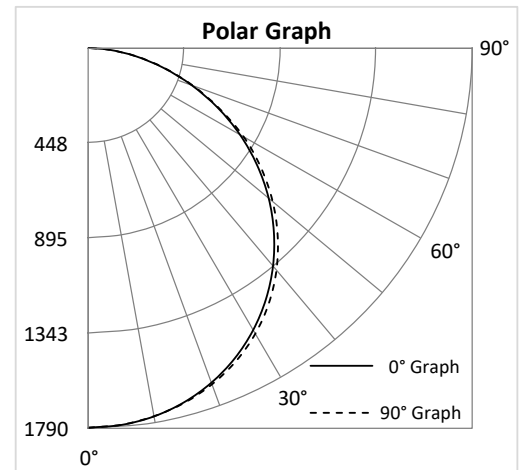
EBLEDPNL2X4-50L-5K

Luminaire Data

Description	2x4 Back Lit LED Panel - 50L 5K
Total Lumens	5,323
Input Wattage	44
Efficacy (lm/W)	122
Spacing Criterion (0-180°)	1.28
Spacing Criterion (90-270°)	1.30

Zonal Lumen Summary

Zone	Lumens	%Fixt
0-20°	658	12.4%
0-30°	1,406	26.4%
0-40°	2,318	43.5%
20-50°	2,615	49.1%
40-70°	2,491	46.8%
0-60°	4,143	77.8%
0-80°	5,202	97.7%
0-90°	5,318	99.9%
90-180°	6	0.1%
0-180°	5,323	100.0%





Job Name: _____
 Type: _____
 Part #: _____
 Notes: _____

COMPATIBLE EMERGENCY DRIVERS

Emergency Driver Part Number	EM8 / EC8		EM12 / EC12		EM16 / EC16		EM20 / EC20		EM24 / EC24		Runtime
	Watts	EM Lumens	Watts	EM Lumens	Watts	EM Lumens	Watts	EM Lumens	Watts	EM Lumens	
EBLEDPNLPNL2X2-40L-xK	5.0	590	7.8	920	10.7	1263	13.7	1617	17.0	2006	90 MINS.
EBLEDPNLPNL2X4-50L-xK	5.0	600	7.8	936	10.7	1284	13.7	1644	17.0	2040	
EBLEDPNL1X4-40L-xK-PRM	5.0	640	7.8	998	10.7	1370	13.7	1754	17.0	2176	
EBLEDPNL2X2-40L-xK-PRM	5.0	645	7.8	1006	10.7	1380	13.7	1767	17.0	2193	
EBLEDPNL2X4-50L-xK-PRM	5.0	655	7.8	1022	10.7	1402	13.7	1795	17.0	2227	
EBLEDPNL2X4-70L-xK-PRM	5.0	655	7.8	1022	10.7	1402	13.7	1795	17.0	2227	

Compatible Dimmers

Manufacture	Model Number	Dimming Range	Load Switching Capacity
Lutron	DVSTV	10%-100%	450W
Leviton	IP710-LFZ	10%-100%	1200W
General Protecht	DMD-LED3-102	10%-100%	600W

Job Name: _____

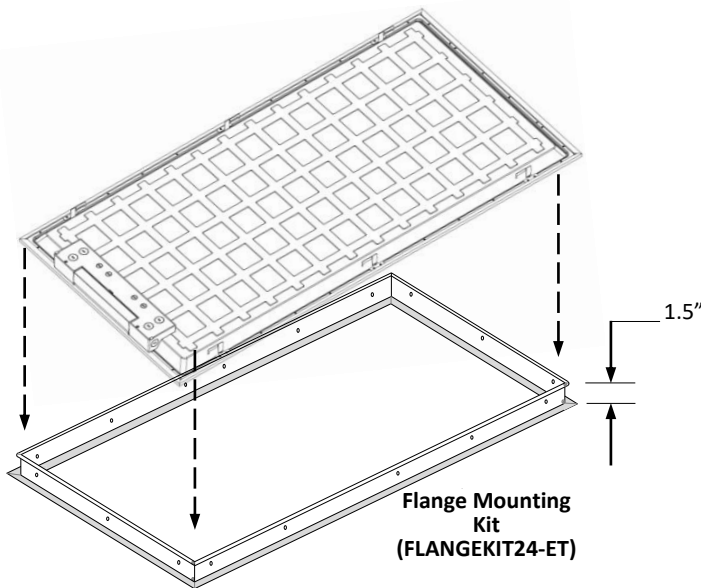
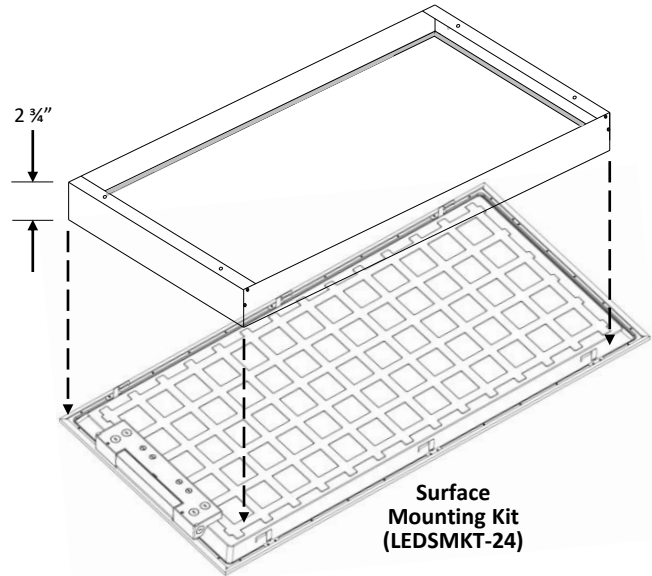
Type: _____

Part #: _____

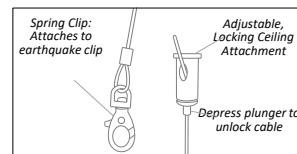
Notes: _____

OPTIONS

- Optional surface mounting kits (LEDSMKT-24) mounts below the ceiling.
- Optional flange mounting kits provide for recessed installation on plaster or other hard ceilings. Attach Flange Mount Kit (FLANGEKIT24-ET) to ceiling joists or other stationary structures, and the panel is mounted flush to the ceiling.
- Optional cable mounting kits provide additional security, as well as suspended mounting. Attach one end of the Cable Mount Kit (LEDPNL-CMK) to luminaire earthquake clips using spring clips, and attach the other end to stationary structures using the adjustable, locking ceiling attachment (see picture below right).



Cable Mounting Kit (LEDPNL-CMK)



Cable Mount Kit:

- Spring Clip
- Adjustable, locking ceiling attachment