

EBRK-LEDARC

4" LED ARCHITECTURAL RETROFIT

STANDARD



The 4" Architectural LED series are commercial-grade quality luminaires. These retrofit kits convert nearly any existing 4-inch incandescent, HID or CFL into LED fixtures. They are upgradeable to the latest and most advanced LED technology. Enjoy energy savings and maintenance-free service with 50,000 hours of life in typical commercial applications.

FEATURES

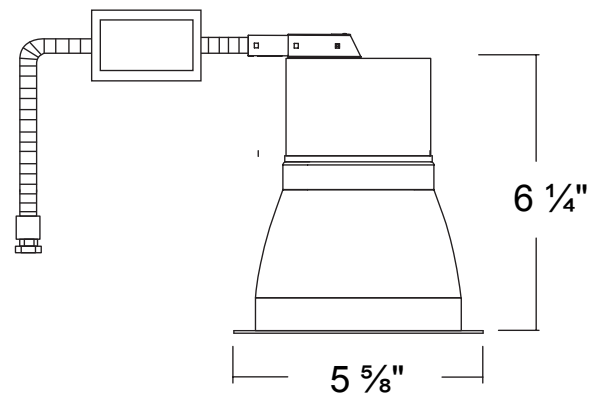
- *Installs from below ceiling and secured by tension clips (clips NOT included with the retrofit).*
- *21 Watts*
- *Available in 3000K.*
- *Conduit quick-connects.*
- *Consistent fixture-to-fixture color temperature within 3 MacAdam Ellipses.*
- *Integral heat sink conducts heat away from LED Light engine*
- *Driver is accessible from below the ceiling and can be upgraded to accommodate future technology improvements.*
- *Universal 120-277 AC voltage (50/60Hz)*
- *0-10v dimming*
- *Color rendering index ≥ 80.*
- *Long life LEDs - up to 50,000hours.*
- *Operation Temp. -30°C~40°C (-22°F~104°F).*



WARRANTY & LISTINGS

- *cULus Listed.*
- *Suitable for wet locations (not suitable for coastal/salt water area).*
- *Suitable for damp locations.*
- *RoHS compliant.*
- *5-year warranty of all electronics and housing.*

DIMENSIONS



ORDERING INFORMATION

Model	Color Temperature	Luminaire Lumens	Luminaire Watts	Lumens / Watt
EBRK-LED21ARC4-3K	3000k	1590	21	76