

ENSFP Food Processing Luminaire

STANDARD



FEATURES

- Available in 5000k (cool white) color temperature.*
- Long-life LEDs provide at least 137,000 hours of operation with at least 70% of initial lumen output (L₇₀).**
- Provides a range of 15,034 to 30,102 nominal lumens and 152 to 154 lumens per watt.*
- Universal 120-277 AC voltage (50-60Hz) and 6-foot incoming AC power cords are standard on all models.
- 0-10vdc dimming, see compatible dimmer list (page 2).
- Watertight, compression-type electrical connectors.
- Shatter-resistant, tempered glass lens (0.012", or 3mm, thick), is IK08 rated for impact.
- Power factor ≥ 0.90.
- Total harmonic distortion < 20%.
- Color rendering index ≥ 80.
- Die cast aluminum housing, painted white.
- Simple installation with pre-installed mounting hook. Accessories include pendant snap hook that connects to conduit and chain.

WARRANTY & LISTINGS

- cETLus listed for wet locations in ambient temperatures from -40°C to 45°C (-40°F to 113°F).
- DLC premium approved.
- ETL Sanitation listed for Non-Splash Food Zone to comply with NSF/ANSI 2 Standard.
- IP65 rated for ingress protection.
- Complies with FCC Part 15, class B.
- Complies with IEC/EN61000-4-5, surge immunity protection (4kV).
- 5-year warranty of all electronics and housing.

ELECTRICAL DATA

Model	Color Temp.	CRI ¹	Luminaire Lumens	Luminaire Watts	Lumens Per Watt	Input Voltage	Input Current (A)			Power Factor	THD ²	L ₇₀ Hours ³
							120V	240V	277V			
ENSFP-15L-5K	5000k	> 80	15,034	99	152	120-277	0.83	0.41	0.36	> 90%	< 20%	155,000
ENSFP-22L-5K	5000k	> 80	22,770	149	153	120-277	1.24	0.62	0.54	> 90%	< 20%	144,000
ENSFP-30L-5K	5000k	> 80	30,102	196	154	120-277	1.63	0.82	0.71	> 90%	< 20%	137,000

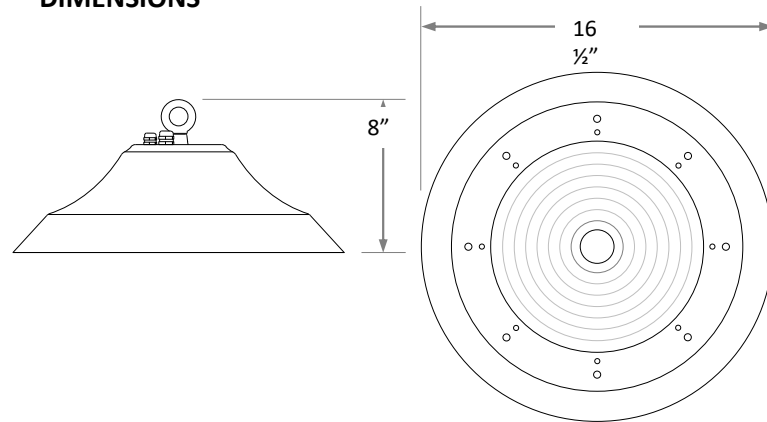
¹ Color rendering index

² Total harmonic distortion

³ L₇₀ refers to the number of hours at which lumen output declines to 70% of the initial level. L₇₀ hours are IES TM-21-11 calculated hours.



DIMENSIONS



ORDERING INFORMATION

Model	Lumen Output		Accessories (Order Separately)	
ENSFP5K	15L	15,000	LEDHBRNSN-PSH-PRM-V2	Pendant snap hook
	22L	23,000	NSFP-CHAIN	Stainless steel chain
	30L	30,000		

COMPATIBLE DIMMERS

Manufacture	Model Number	Dimming Range	Load Switching Capacity
Lutron	DVSTV	10%-100%	450W
General Protecht	DMD-LED3-102	10%-100%	600W

PHOTOMETRIC DATA

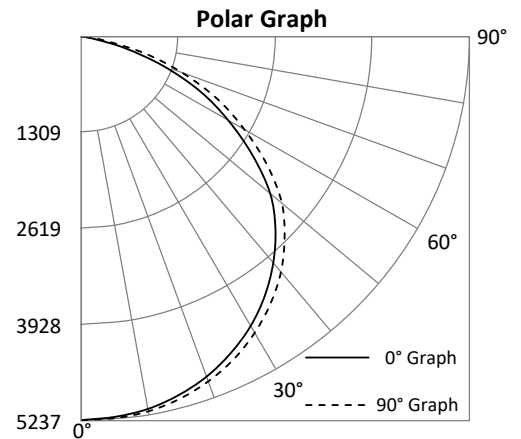
ENSFP-15L-5K

Luminaire Data

Description	Food Processing Luminaire - 15L, 5K
Total Lumens	15,034
Input Wattage	99
Efficacy (lm/W)	152
Spacing Criterion (0-180°)	1.30
Spacing Criterion (90-270°)	1.34

Zonal Lumen Summary

Zone	Lumens	%Fixt
0-20°	1,932	12.8%
0-30°	4,144	27.6%
0-40°	6,874	45.7%
20-50°	7,843	52.2%
40-70°	7,325	48.7%
0-60°	12,370	82.3%
0-80°	14,962	99.5%
0-90°	15,018	99.9%
90-180°	16	0.1%
0-180°	15,034	100.0%



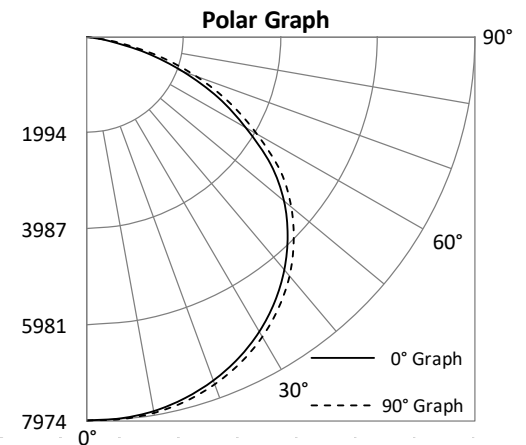
ENSFP-22L-5K

Luminaire Data

Description	Food Processing Luminaire - 22L, 5K
Total Lumens	22,770
Input Wattage	149
Efficacy (lm/W)	153
Spacing Criterion (0-180°)	1.32
Spacing Criterion (90-270°)	1.36

Zonal Lumen Summary

Zone	Lumens	%Fixt
0-20°	2,940	12.9%
0-30°	6,306	27.7%
0-40°	10,454	45.9%
20-50°	11,909	52.3%
40-70°	11,046	48.5%
0-60°	18,766	82.4%
0-80°	22,643	99.4%
0-90°	22,746	99.9%
90-180°	24	0.1%
0-180°	22,770	100.0%



ENSFP-30L-5K

Luminaire Data

Description	Food Processing Luminaire - 30L, 5K
Total Lumens	30,102
Input Wattage	196
Efficacy (lm/W)	154
Spacing Criterion (0-180°)	1.30
Spacing Criterion (90-270°)	1.32

Zonal Lumen Summary

Zone	Lumens	%Fixt
0-20°	3,854	12.8%
0-30°	8,270	27.5%
0-40°	13,719	45.6%
20-50°	15,658	52.0%
40-70°	14,698	48.8%
0-60°	24,727	82.1%
0-80°	29,955	99.5%
0-90°	30,070	99.9%
90-180°	32	0.1%
0-180°	30,102	100.0%

