

HiLumen Amber Square Flat Bollards



The LEPG HiLumen Amber Bollards are designed to provide a direct 1-to-1 replacement for 35w Low Pressure Sodium (LPS) lighting systems. These fixtures are ideal for retail centers, industrial parks, schools and universities, public transit and airports, office buildings and medical facilities.

Specifications and Features:

Housing: Extruded Aluminum Housing with Flush Mounting Base & Vandal-Resistant Screws, Flat Top, Internal Ballast Tray for Easy Maintenance. Bollards Can Be Cut to Custom Lengths Upon Request.

Listing & Ratings: CSA: Listed for Wet Locations, ANSI/UL 1598, 8750; IP65 Sealed LED Compartment

Finish: Textured Architectural Bronze or Black Powdercoat Finish Over a Chromate Conversion Coating. Custom Colors Available Upon Request.

Style: Clear Prismatic Borosilicate Glass Refractor, Specially Designed Cone Reflector or Internal Louvers

Lens: Clear UV-Stabilized Polycarbonate Vandal-Resistant Lens

Mounting Options: Mounting Kit with 8" Anchor Bolts, Included.

HiLumen Amber LED: Aluminum Boards

Wattage: Array: 15w, System: 16.5w; (35w SOX LPS Replacement)

Driver: Electronic Driver, 120-277V, 50/60Hz; Less Than 20% THD and PF>0.90. Standard Internal Surge Protection 2kV. 0-10V Dimming Standard for a Dimming Range of 100% to 10%; Dimming Source Current is 150 Microamps.

Controls: Fixtures Ordered with Factory-Installed Motion Sensor Controls are Internally Wired for Switching and/or 1-10V Dimming Within the Housing. Remote Direct Wired Interface of 1-10V Dimming is Not Implied and May Not Be Available. Please Consult Factory. Fixtures are Tested with LEPG Controls and May Not Function Properly With Controls Supplied By Others. Fixtures are NOT Designed for Use with Line Voltage Dimmers.

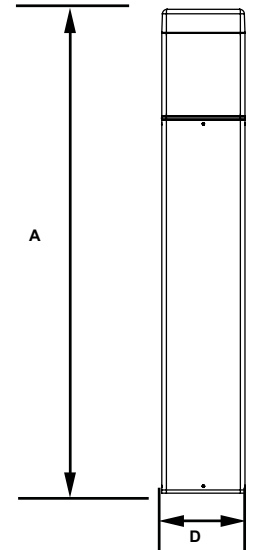
Warranty: 5-Year Warranty for -40°C to +40°C Environment.

Order Information:



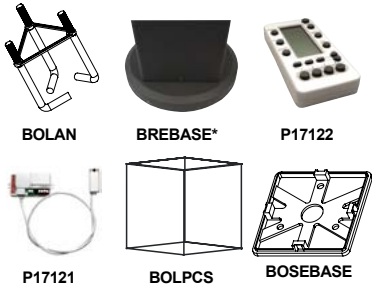
Dimensions:

Length (D) | 7" (177mm)
Height (A) | 41³/₈" (1,051mm)



Model	Optics	Wattage	Driver	CCT	Color	Height	Options
	F	1X15	U	HA			
ABOSFGQ =HiLumen Amber Square Flat Bollard with Glass	F =Wide Beam S pread	1X15 =15w	U = 120-277V	HA = HiLumen Amber	Z =Bronze B =Black C =Custom (Consult Factory)	(Leave Blank) = 42" Standard Height 36 =36" Height 30 =30" Height	SF =Single Fuse (120-277V Only)
ABOSFRLQ =HiLumen Amber Square Flat Bollard with LED Cone Reflector							DF =Double Fuse (120-277V Only)
ABOSFRWQ =HiLumen Amber Square Flat Bollard with White LED Cone Reflector							SP =Surge Protection
ABOSFLSQ =HiLumen Amber Square Flat Bollard with Square Louvers							GF1 =GFCI Outlet, 15A, 120V S3 =Internal Microwave Sensor (120-277V Only) BU =Battery Backup, 90 Minutes

Accessories & Replacement Parts:



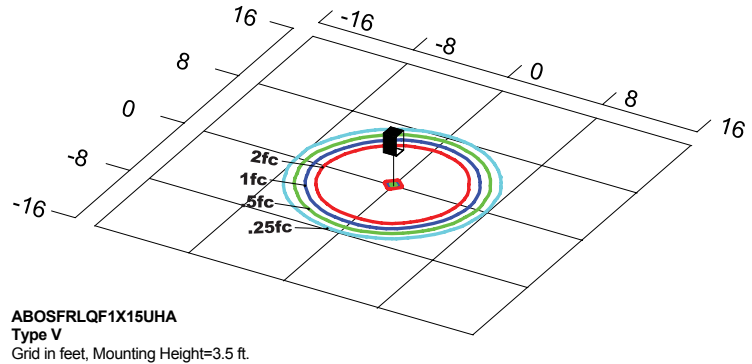
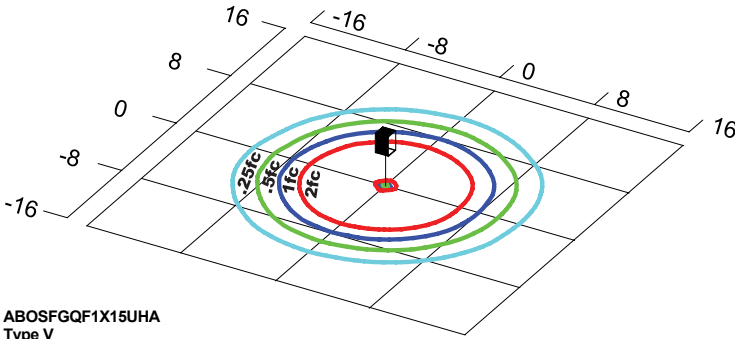
*Shown Mounted

Mounting Accessories (Order Separately, Field Installed)		Accessories (Order Separately, Field Installed)		Replacement Parts (Order Separately, Field Installed)	
BOLAN4	Mounting Kit, Includes Bracket & Three (3) 4" Anchor Bolts	P17122	Remote Programming Tool for P17121	P17121	Internal Microwave Sensor (120-277V Only)
BOLAN8	Mounting Kit, Includes Bracket & Three (3) 8" Anchor Bolts			BOLPCS	Replacement Square UV-Stabilized Polycarbonate Vandal-Resistant Lens
BOLAN12	Mounting Kit, Includes Bracket & Three (3) 12" Anchor Bolts			BOSBASE*	Die Cast Base Plate with Powdercoat Finish Over a Chromate Conversion Coating.
BOLAN15	Mounting Kit, Includes Bracket & Three (3) 15" Anchor Bolts				
BREBASE*	Bollard Retrofit Base Kit Adapts New Bollards to Most Existing Bolt Patterns. Fits all LEPG Bollards. Die Cast with Powdercoat Finish, Hardware Included. 1 1/2" Dia. x 1 1/2" H				

*Specify Color: Z=Bronze, B=Black, C=Custom (Consult Factory)

For Replacement Battery Backup, see the LEPG LED Battery Backup Specification Sheet.

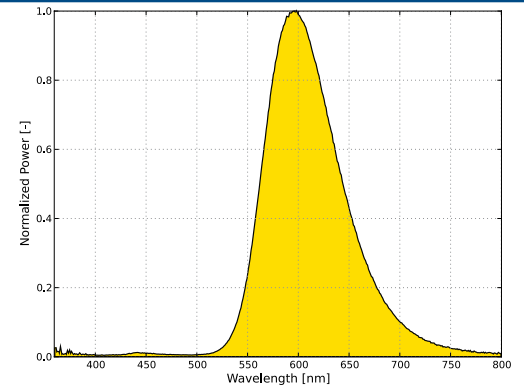
Photometric Data



Photometric Performance

LED Board Watts	Drive Current (mA)	Input Watts	Optics	HiLumen Amber				
				Lumens	LPW	B	U	G
HiLumen Amber 15w	116	17	BOSFG Glass	883	52	1	3	1
			BOSFL Louvers	595	35	0	2	0
			Cone Reflectors	1,178	69	1	3	1

Spectral Chart



Projected Lumen Maintenance

Data shown for HiLumen Amber			Compare to LPS			
TM-21-11	Input Watts	Initial	25,000 Hrs	50,000 Hrs	100,000 Hrs	Calculated L70@ 25°C
L70 Lumen Maintenance @ 25°C / 77°F	17	1.00	0.95	0.90	0.80	147,000
TM-21-11	Input Watts	Initial	25,000 Hrs	50,000 Hrs	100,000 Hrs	Calculated L70@ 50°C
L70 Lumen Maintenance @ 50°C / 122°F	17	1.00	0.89	0.78	0.55	67,000
TM-21-11	Input Watts	Initial	25,000 Hrs	50,000 Hrs	100,000 Hrs	Calculated L80@ 40°C
L80 Lumen Maintenance @ 40°C / 104°F	17	1.00	0.92	0.85	0.70	66,000