

## EPOCO



### SPECIFICATIONS: INTERNAL

The EPOCO uses a rechargeable, maintenance free Ni-Cd battery. Configured with universal voltage input 120-277V.

### SPECIFICATIONS: EXTERNAL

The EPOCO is constructed from high quality thermoplastic. White finish is standard (black color optional). The 2W, 6 LED module ensures emergency lighting performance and reduced maintenance. The **EPOCO** is designed for direct installation into a deep 4" X 4" square j-box. Easy field wiring & durable construction makes it suitable for low-level recessed wall installations.

### EMERGENCY MODULE

The EPOCO (PLM-2) comes standard with a 2W, 6 LED module. Suitable for low-level lighting and step lighting.

### SPECIFICATIONS: ELECTRICAL

**BATTERY:** EPOCO uses a rechargeable, maintenance free 4.8V 1000mAH NiCad battery that provides minimum emergency duration of 90 minutes. The recharge time of the battery is 24 hours. The maximum working temperature is +104°F (+40°C). The minimum working temperature is +50°F (+10°C).

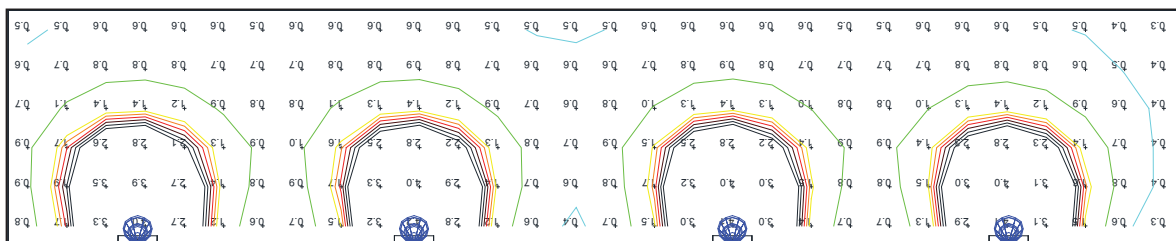
### SPECIFICATIONS: MECHANICAL

The EPOCO features a direct to j-box design the reduces installation time. Easy field wiring & durable construction is suitable for wall recessed installations. External test switch and monitor LED are standard

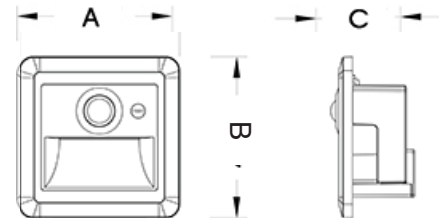
### ORDERING LOGIC

Series	Options
EPOCO	
EPOCO	B (black housing)
	S (sensor - PIR)

### PERFORMANCE



- Mounting Height: 7 ft.
- Area: 6 ft. x 30 ft. x 10 ft.
- Spacing: 7 ft. on Center
- Average: 1.32Fc
- Max: 4.2Fc
- Min: 0.3Fc
- Avg/Min: 4.4Fc
- Max.Min: 14.00Fc



A	B	C
4 1/2	4 1/2	2 1/2
114mm	114mm	63.5mm

### PASSIVE INFRARED SENSOR

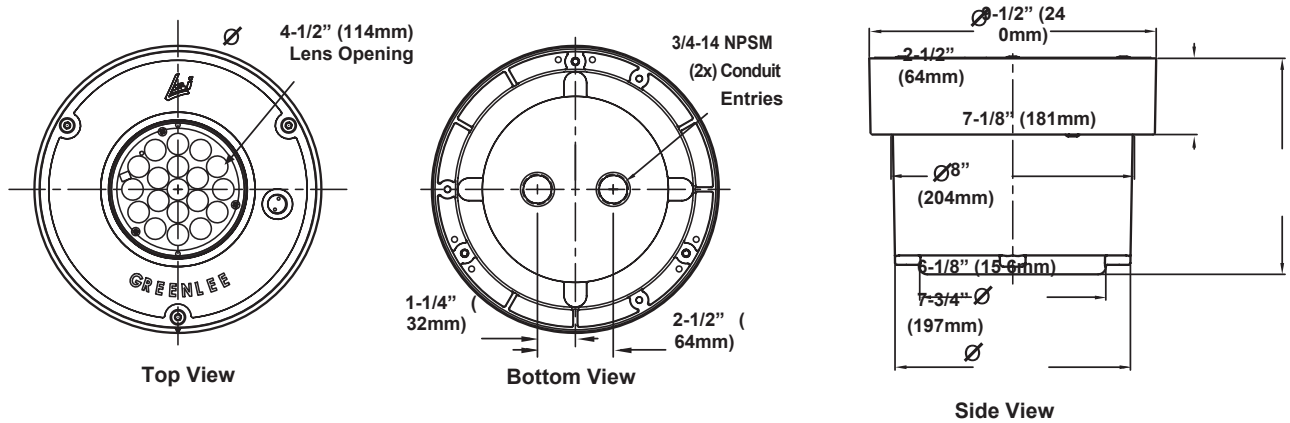
The EPOCO comes with a passive infrared sensor (PIR). The PIR will activate, when ambient light levels are lower than 1.3Fc. The sensor has an activation distance of 15 feet with a 125° degree field of view. Once the sensor detects motion the unit will turn on at full output for 15 minutes and then automatically turn off. If AC power is lost, the unit will automatically switch to emergency mode.

### WARRANTY

The EPOCO comes with a 3-year factory warranty. Deliberate damage, misuse, improper installation effectively cancel the warranty.

Job Name: \_\_\_\_\_  
 Type: \_\_\_\_\_  
 Part #: \_\_\_\_\_  
 Notes: \_\_\_\_\_

**DIMENSIONS**



**OPTIONS**



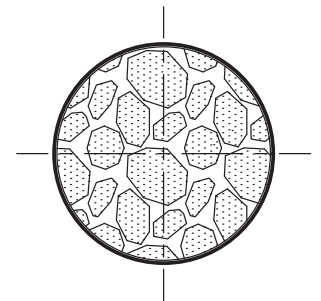
Rock Guard (B) Lens/  
Lamp Protection



Directional Shield (B)  
Increased Light Control



Stainless Steel Trim (SST)  
Decorative Appeal



Slip Resistant Lens (SRL)  
Enhance Public Safety