

AXIG LED INGROUND LIGHT



US patent 8,152,334 and US & Int'l. patents pending

EXPECTED LIFE - Minimum 60,000 hours to 100,000 hours depending upon the ambient temperature of the installation location.

LEDS - Select high-brightness LEDs in Cool White (5000K) or Warm White (3500K) color temperature. 68CRI

DRIVER CURRENT - Available in 350mA

OPTICS/AIMING - Available with 10°, spot, 25° or 40° flood horizontal beam angle distributions. Optics can be tilted +/- 15° from vertical via external aiming screw, with tamper-resistant spanner tool. Adjustment tool provided.

HOUSING - Composite rough-in housing never corrodes; field-proven to last for more than 20 years without maintenance. Luminaire housing is 85% copper alloy for wet locations. CNC precision machined to insure proper sealing.

DRIVER OVER CAPABILITY- 4,000 lbs. vehicle weight.

OPTICAL UNIT- 15mm low-iron tempered glass lens does not change color of light emitted. 19mm thick lens supplied with stainless steel trim option to retain flush surface. Sealed optical chamber is aimable from outside the unit to ensure integrity of the seal. No heat in the LED light beam means a cool lens - no risk of burns to bare feet. Optional slip resistant lens available, to enhance public safety.

INSTALLATION- Rough-in housing can be shipped ahead for pre-casting in concrete. Luminaire connects to field wiring via IP-68 rated connector.

ELECTRICAL- Universal frequency input (120-277V, 50/60 Hz). Surge protection meets ANSI C62.41.2, Scenario 1, Location Category C-low standards (6,000; 3,000A)

TRIM - Optional 1 1/2" diameter x .18" thick stainless steel decorative trim has radial polish finish.

WARRANTY - LED fixtures carry a limited 5 year warranty.

SHIPPING WEIGHT - AXIGB - 28 lbs.

LISTING - Listed to U.S. and Canadian safety standards. Suitable for wet locations.

ORDERING INFORMATION



LIGHT OUTPUT - AXIG				
	# of LEDs	Lumens (Nominal)		
		SP10	NFL25	FL40
Cool White	350 mA	19	2159	2076
	Watts		22	23
Warm White	350 mA	19	1445	1485
	Watts		22	23

LED Chips are frequently updated therefore values may increase.

DRIVER- State-of-the-art driver technology specifically designed for LED fixtures provides unsurpassed system efficiency.

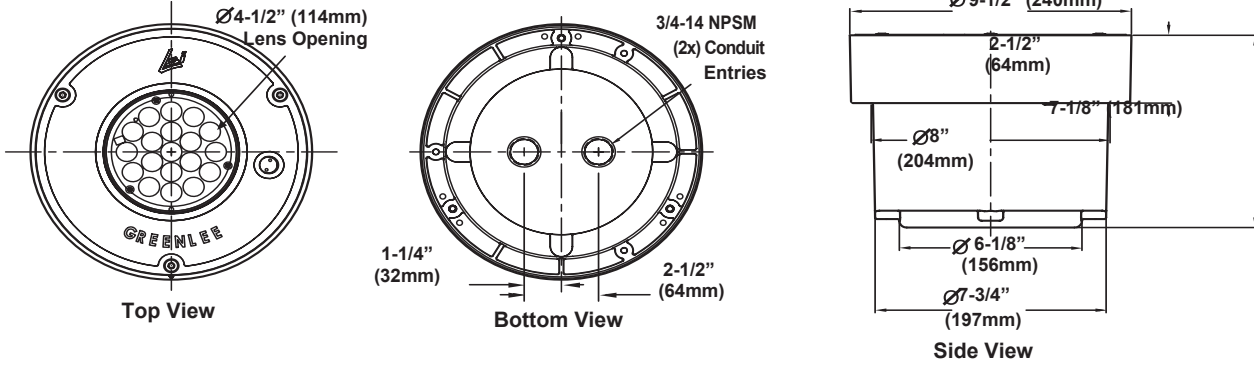
OPERATING TEMPERATURE- -40°C to +50°C (-40° F to +122°F)

FINISH- Clear-anodized natural aluminum finish coat finishes available. DuraGrip finish withstands extreme weather changes without cracking or peeling, and is guaranteed for a full five years. Standard colors include black, white, bronze, metallic silver, graphite and satin verde green. Natural brass matte blast finished.

MODEL	Color Temperature	Distribution	Finish	Options
AXIGBLED19350-350mA-UE	CW - Cool White(5000K) WW - Warm White(3500K) NW - Neutral White (4000K)	SP10 - 10° Spot NFL25 - 25° Narrow Flood FL40 - 40° Flood	NB - Natural Brass ¹ BRZ - Bronze BLK - Black WHT - White MSV - Metallic Silver GPT - Graphite SVG - Satin Verde Green	SST - Stainless Steel Trim ^{2,3,4} TR - Tamper Resistant Fasteners DSB - Directional Shield Brass ⁴ RGB - Rock Guard Brass ⁴ SRL - Slip Resistant Lens ⁵

Job Name: _____
 Type: _____
 Part #: _____
 Notes: _____

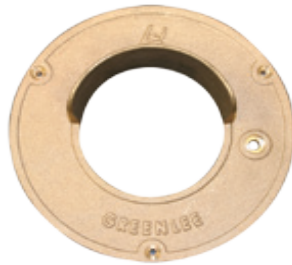
DIMENSIONS



OPTIONS



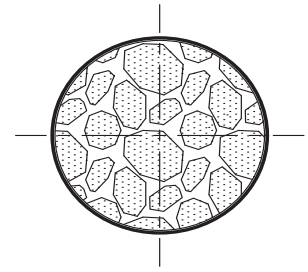
Rock Guard
(B)
Lens/Lamp Protection



Directional Shield
(B)
Increased Light Control



Stainless Steel Trim
(SST)
Decorative Appeal



Slip Resistant Lens
(SRL)
Enhance Public Safety