

EFL Series LUNAR



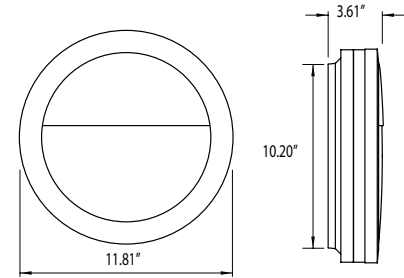
FEATURES:

- Available in LED
- Powder Coated Cast Aluminum
Wall or Ceiling Mount
- Enclosed & Gasketed
ETL Listed for Wet Locations (IP65)
- Standard Pack QTY: 6



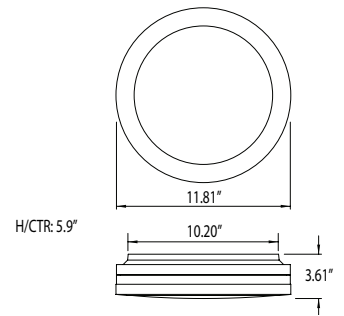
EFL372

H/CTR: 5.9"



EFL371

H/CTR: 5.9"



MODEL	LIGHT SOURCE	BODY	DIFFUSER	OPTIONS	
EFL371 EFL372	EOS LED 120V AC, 50/60 Hz, HPF, 50,000 HRS L70*, AMBIENT OP TEMP -40°C TO +40°C, 5 YEAR WARRANTY, DIMMABLE, ENERGY STAR***	W-White B- Black	POLYCARBONATE W-White	M-Motion Sensor EB-Emergency Backup (options not available with LE2600)	
	LE1200 - 14W, 80 CRI >102 Lumens Per Watt**				W-1430lm 3000K C-1500lm 4000K
	LE1800 - 22W, 80 CRI >88 Lumens Per Watt**				W-1950lm 3000K C-2130lm 4000K
	LE2600 - 32W, 80 CRI >84 Lumens Per Watt**				W-2700lm 3000K C-2750lm 4000K
EFL371 EFL372	MULTI-VOLT LED 120-277V, 50/60 Hz, CONSTANT CURRENT AT 700mA, DRIVER UL CLASS 2, HPF, THERMALLY PROTECTED ARRAY, 50,000 HRS L70* AMBIENT OP TEMP -40°C TO +40°C, 3 YEAR WARRANTY, ENERGY STAR***	W-White B- Black	POLYCARBONATE W-White	M-Motion Sensor	
	L1800 - 22W Power Input CRI 74 (TYP) >82 Lumens Per Watt**				W-1704lm 3000K C-1824lm 4000K

EFL SERIES

EMERGENCY BACKUP LED LIGHT



FEATURES:

- 135 Min. of Emergency Backup LED Test Switch/LED Charge Indicator 4W LED Backup Array
- NiCd, 3.6 VDC Battery
- 24hr Recharge Time
- Ambient Temp: 0°C to +40°C
- 5yr Warranty



FIXTURES WITH EMERGENCY BACKUP LED LIGHT OPTION



EFL372
 IP65 Rated & ADA Compliant
 Enclosed & Gasketed
 Wall or Ceiling Mount
 ETL Listed for Wet Locations



EFL371



EFK391

EFK395

Vandal Resistant Knockouts for Conduit Wall or Ceiling Mount
 UL Listed for Wet Locations

ORDERING INFORMATION:

MODEL	LIGHT SOURCE	BODY	DIFFUSER	OPTIONS
EFL371 EFL372 EFK391 EFK395	<p>EOS LED 120V AC, 50/60 Hz, HPF, 50,000 HRS L70*, AMBIENT OP TEMP -40°C TO +40°C, 5 YEAR WARRANTY, DIMMABLE</p> <p>LE800 - 13W Power Input CRI 80 (TYP) >88 Lumens Per Watt**</p> <p>LE1200 - 14W Power Input CRI 80 (TYP) >102 Lumens Per Watt**</p> <p>LE1800 - 23W Power Input CRI 80 (TYP) >88 Lumens Per Watt**</p> <p>MULTI-VOLT LED 120-277V, 50/60 Hz, CONSTANT CURRENT AT 700mA, DRIVER UL CLASS 2, HPF, THERMALLY PROTECTED, 50,000 HRS L70*, AMBIENT OP TEMP -40°C TO +40°C, 3 YEAR WARRANTY</p> <p>L1800 - 22W Power Input CRI 74 (TYP) >82 Lumens Per Watt**</p>	<p>W-White B- Black</p>	<p>POLYCARBONATE F-Frosted Prismatic W-White*</p>	<p>M-Motion Sensor EB-Emergency Backup</p>
		<p>W-White B- Black</p>	<p>POLYCARBONATE F-Frosted Prismatic W-White*</p>	<p>M-Motion Sensor EB-Emergency Backup</p>