

AB9Q EasyLED Curve Bollard, Nautical Series



The LEPG nautically inspired AB9Q Curve Bollard provides pedestrian and parking area lighting with a seaside flair. The specially designed UV-stabilized polycarbonate optics offer full-cutoff, excellently controlled uniform lighting designed to replace HID lighting systems up to 70w MH or HPS. These fixtures are ideal for a wide range of applications including parking areas, walkways and landscape accents.

Specifications and Features:

Housing: Durable One-Piece Sand Cast Aluminum Housing Features 1/2" Thick Walls. Includes Flush Mounting Base & Vandal-Resistant Screws, Internal Driver Tray for Easy Maintenance.

Listing & Ratings: CSA: Listed for Wet Locations, ANSI/UL 1598, 8750 IP65

Finish: Textured Architectural Bronze or Black Powdercoat Finish Over a Chromate Conversion Coating. Custom Colors Available Upon Request.

Lens: Clear UV-Stabilized Polycarbonate Vandal-Resistant Lens

Mounting Options: Mounting Kit with 8" Zinc-Plated Anchor Bolts, Included.

EasyLED LED: Aluminum Boards

Wattage: 12w: Array 12w, System 13.6w; 18w: Array 18.2w, System 20.4w

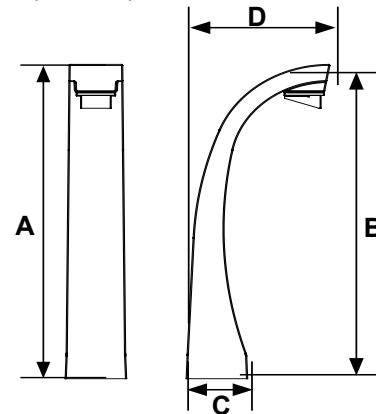
Driver: Electronic Driver, 120-277V, 50/60Hz; Less Than 20% THD and PF>0.90. Standard Internal Surge Protection 2kV. 0-10V Dimming Standard for a Dimming Range of 100% to 10%; Dimming Source Current is 150 Microamps.

Warranty: 5-Year Warranty for -40°C to +50°C Environment.



Dimensions

Height (A)	36" (915mm)
Height (B)	32 1/2" (824mm)
Base² (C)	6" (155mm)
Width (D)	14 1/4" (362mm)



Ordering Information:

Model	Optics	Wattage	Driver	CCT	Lens	Color	Options
AB9Q	C		U				
AB9Q=EasyLED Curve Bollard, Nautical Series	C=Type III	1X12=12w 1X18=18w	U=120-277V	3K=3000K 4K=4000K 5K=5000K	C=Clear UV-Stabilized Polycarbonate Vandal-Resistant Lens	Z=Bronze B=Black C=Custom (Consult Factory)	SF=Single Fuse (120-277V Only) DF=Double Fuse (120-277V Only) SP=Surge Protection GF1=GFCI Outlet, 15A, 120V (Side Mount Only)

Accessories & Replacement Parts:



BREBASE*

*Shown Mounted



BOADP1

**Mounting Accessories
(Order Separately, Field Installed)**

BREBASE* Bollard Retrofit Base Kit Adapts New Bollards to Most Existing Bolt Patterns. Fits all LEPCG Bollards. Die Cast with Powdercoat Finish, Hardware Included. 1 1/2" Dia. x 1 1/2" H

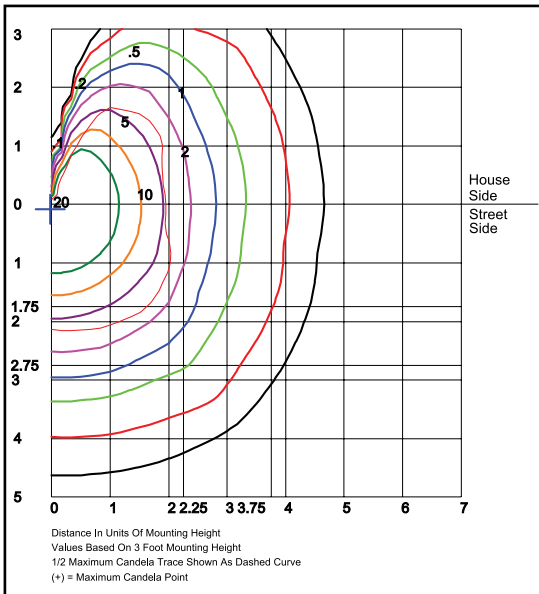
*Specify Color: Z=Bronze, B=Black, C=Custom (Consult Factory)

**Replacement Parts
(Order Separately, Field Installed)**

B9LFB Lens Frame, Black Finish

BOADP1 Adapter Plate with Gaskets for Outlet Boxes. Fits LEPCG Round Bollards. Die Cast with Bronze Powdercoat Finish.

Photometric Data



AB9QC1X18U5K
Grid in feet, Mounting Height = 3 ft.

Photometric Performance

Wattage (Catalog Logic)		12W (1X12)	18W (1X18)
Input Watts		13.6W	20.4W
Optic	CCT	Delivered Lumens	
Clear Glass	3000K	1,427	2,140
	4000K	1,548	2,322
	5000K	1,612	2,418
	BUG Rating	B1-U0-G1	B1-U0-G1

Projected Lumen Maintenance

Data shown for 5000 CCT		Compare to MH				Calculated LED Life
TM-21-11	Input Watts	Initial	25,000 Hrs	50,000 Hrs	100,000 Hrs	
L70 Lumen Maintenance @ 25°C / 77°F	All wattages up to and including 20w	1.00	0.96	0.92	0.85	196,000
L70 Lumen Maintenance @ 50°C / 122°F		1.00	0.90	0.81	0.62	78,000
L80 Lumen Maintenance @ 40°C / 104°F		1.00	0.96	0.85	0.92	126,000

- NOTES:**
1. Projected per IESNA TM-21-11. Data references the extrapolated performance projections for the 525mA base model in a 25°C ambient, based on 10,000 hours of LED testing per IESNA LM-80-08.
 2. Compare to MH box indicates suggested Light Loss Factor (LLF) to be used when comparing to Metal Halide (MH) systems.