

ASAFL LED ARCHITECTURAL HIGH-LUMEN FLOODS



CONSTRUCTION: Die-cast aluminum housing with integrated proprietary thermal management to insure low LED junction temperature. The low profile design and aesthetics makes it suitable for a wide range of commercial applications. Utilizing anti-aging silicone rubber, the fixture is completely sealed and gasketed, ideal for wet locations, and is IP65 rated. The LED light engine and optic lenses are protected with clear tempered glass lenses that are secured with stainless steel hardware.

LEDs: Select high quality LEDs are utilized, with 4,000 – 5,000K CCT and CRI of ≥ 70 / CRI of 80 (depending)

ELECTRICAL: Universal Voltage (120-277V, 50/60 HZ) and 347-480V input.

DIMMING: 0-10V dimming standard

OPERATING TEMPERATURE: -40°C through 45°C (-40°F through 113°F)

OPTICS: Delivers precision light quality via light engine and optical lens combinations, which are designed to distribute light in both the vertical and horizontal angles with a very specific beam pattern. Beam angle options include lenses with either 15° (SP), 30° (MF) or 85x135o (WF).

PHOTOMETRICS: Contact us for these details.

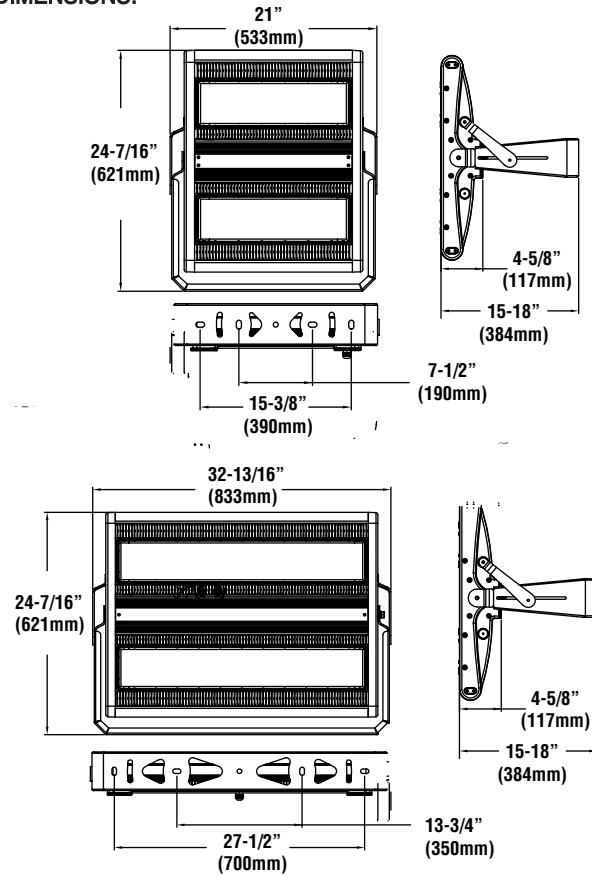
EXPECTED LIFE: Minimum 50,000 hours

WARRANTY: Limited 5-year warranty

LISTING: ETL listed to U.S. and Canadian safety standards. Suitable for wet locations (IP65).



DIMENSIONS:



ORDERING INFORMATION:

| Model | Distribution | Light Source | Performance Level | Color Temperature | Input Voltage | Finish | Options |
|-------------------------------|----------------|--------------|--|--------------------------|---|--------|--|
| ASAFL | | LED | | | | BLK | |
| LED Architectural Flood Large | SP MF WF | | PL1 - Performance Level 1 PL2 - Performance Level 2 PL3 - Performance Level 3 PL4 - Performance Level 4 | 40 - 4000K 50 - 5000K | UE - Universal Voltage (120-277V) 347-480V | Black | Blank - Heavy Duty Yoke SF - Heavy Duty Slip Fitter OS - Occupancy Sensor PCR - Photo Cell Receptacle |



Job Name: _____

Type: _____

Part #: _____

Notes: _____

TECHNICAL INFORMATION

ASAFL (Large)

| Feature | PL1 | PL2 | PL3 | PL4 |
|----------------|-------------------------------------|--------|--------|--------|
| Input Voltage | 90-305V AC, 50/60 Hz | | | |
| System Power | 390w | 440w | 550w | 640w |
| Lumens | 34,902 | 46,136 | 56,517 | 67,474 |
| Beam Angle | 15° (SP), 30° (MF) or 85°x135° (WF) | | | |
| CCT | 4,000K, 5,000K | | | |
| CRI (Δ) | 70 | | | |
| Lifespan | 50,000 Hrs | | | |
| Operating Temp | -40°C through 45°C | | | |
| Weight | 17.0kg | 19.0kg | 27.0kg | 27.5kg |
| E.P.A. | 2.5 | 2.8 | 4.1 | 4.1 |

ASAFL Photometric Technical Summary and Comparison

| Catalog Number | NEMA Type | Field Angle | | Beam Angle | | Max CD | Lumens | Watts | LPW |
|---------------------|-----------|-------------|-------|------------|------|---------|--------|-------|-----|
| | | H° | V° | H° | V° | | | | |
| ASAFL-SP-LED-PL1-50 | 3 H x 3 V | 43.5 | 43.6 | 19.6 | 19.6 | 151,706 | 35,725 | 330 | 108 |
| ASAFL-SP-LED-PL2-50 | 3 H x 3 V | 43.5 | 43.6 | 19.6 | 19.6 | 202,275 | 47,633 | 440 | 108 |
| ASAFL-SP-LED-PL3-50 | 3 H x 3 V | 43.5 | 43.6 | 19.6 | 19.6 | 222,432 | 52,380 | 550 | 95 |
| ASAFL-SP-LED-PL4-50 | 3 H x 3 V | 43.5 | 43.6 | 19.6 | 19.6 | 266,919 | 62,856 | 660 | 95 |
| ASAFL-MF-LED-PL1-50 | 4 H x 4 V | 62.4 | 62.7 | 27.7 | 27.6 | 86,019 | 34,710 | 336 | 103 |
| ASAFL-MF-LED-PL2-50 | 4 H x 4 V | 62.4 | 62.7 | 27.7 | 27.6 | 114,692 | 46,281 | 446 | 104 |
| ASAFL-MF-LED-PL3-50 | 4 H x 4 V | 62.4 | 62.7 | 27.7 | 27.6 | 140,498 | 56,694 | 557 | 102 |
| ASAFL-MF-LED-PL4-50 | 4 H x 4 V | 62.4 | 62.7 | 27.7 | 27.6 | 167,738 | 67,685 | 669 | 101 |
| ASAFL-WF-LED-PL1-50 | 7 H x 6 V | 146.5 | 100.1 | 125.7 | 74.8 | 20,787 | 31,820 | 330 | 96 |
| ASAFL-WF-LED-PL2-50 | 7 H x 6 V | 146.5 | 100.1 | 125.7 | 74.8 | 27,715 | 42,427 | 440 | 96 |
| ASAFL-WF-LED-PL3-50 | 7 H x 6 V | 146.5 | 100.1 | 125.7 | 74.8 | 34,644 | 53,401 | 550 | 97 |
| ASAFL-WF-LED-PL4-50 | 7 H x 6 V | 146.5 | 100.1 | 125.7 | 74.8 | 41,573 | 63,640 | 660 | 96 |

| NEMA Type | Field Angle Degree Range |
|-----------|--------------------------|
| 0 | <10 |
| 1 | 10 - 18 |
| 2 | 18 - 29 |
| 3 | 29-48 |
| 4 | 46 -70 |
| 5 | 70 - 100 |
| 6 | 100 -130 |
| 7 | 130 - up |

LED Chips are frequently updated therefore values may increase.