

Job Name: _____
 Type: _____
 Part #: _____
 Notes: _____

EBAL1400LPTD

LOW PROFILE FLUORESCENT EMERGENCY BALLAST 1400 LUMENS

STANDARD



ILLUMINATION

- Works with or without an AC ballast to convert new or existing fluorescent fixtures into unobtrusive emergency lighting.
- Operates one or two lamps in the emergency mode for a minimum of 90-minutes.
- Provides a maximum initial lumen output of 1400 lumens.

ELECTRICAL

- Dual 120/277 voltage.
- Charge rate/power "ON" LED indicator light and push-to-test switch for mandated code compliance testing.
- 12V long life, maintenance-free, rechargeable sealed NiCd battery.
- Internal solid-state transfer switch automatically connects the internal battery to fluorescent lamp for minimum 90-minute emergency illumination.
- Fully automatic solid-state, two rate charger initiates battery charging to recharge a discharged battery in 24 hours.
- Time delay enhancement to overcome end-of-life circuit protection.

MOUNTING

- Suitable for installation inside, on top or in remote* of the fixture.
- Can be used in both switched and unswitched fixtures.
- UL Listed for factory or field installation.

HOUSING

- Low profile galvanized steel construction.
- Compact design fits most fluorescent fixtures.



LED Test switch included.

WARRANTY/LISTING

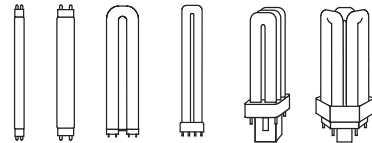
- Five year warranty against defects in material and workmanship (lamps excluded).
- Meets UL924, NFPA 101 Life Safety Code, NEC, OSHA, Local and State Codes.
- UL Listed for damp locations (0°C – 50°C).

OPTIONS

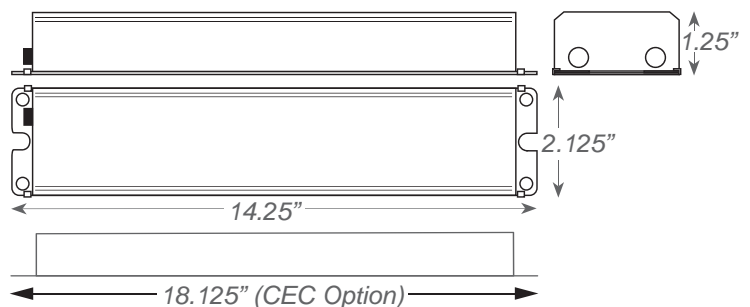
- CEC: Certified to CEC under Title 20 regulations

LAMP COMPATIBILITY

- Compatible with most one-, two-, three-, and four-lamp electronic standard and dimming AC ballasts.
- Operates one or two T5, T5HO, T8, T12, T8HO, T12HO, Circular T5/T9, U-bend T8/T12, 4-Pin CFL and long CFL lamps in emergency mode. Refer to the chart below for a list of compatible lamps



DIMENSIONS



LAMP COMPATIBILITY CHART

* When battery packs are remote mounted, the remote distance cannot exceed 1/2 of the distance from ballast to lamp specified by the A.C. ballast manufacturer. The maximum allowable remote mounting distance is 50 feet.

NOTE: In 2-lamp operation, lumens are equally split between the two lamps.

NOTE: Refer to the spec sheet for complete chart.

| WATTS | LAMP TYPE | INITIAL LUMENS | | WATTS | LAMP TYPE | INITIAL LUMENS | |
|-------|-----------|----------------|--------|-------|-----------|----------------|--------|
| | | 1-LAMP | 2-LAMP | | | 1-LAMP | 2-LAMP |
| 14 | T5 | 800 | 850 | 4 | T12 | 950 | 1025 |
| 21 | T5 | 900 | 1025 | 40 | T12 | 1050 | 1100 |
| 28 | T5 | 1250 | N/A | 75 | T12 | 13 | N/A |
| 9 | T5HO | 13 00 | N/A | 85 | T12 | 1400 | N/A |
| 54 | T5HO | 13 50 | N/A | 95 | T12HO | 1400 | N/A |
| 17 | T8 | 1050 | 1100 | 110 | T12HO | 1400 | N/A |
| 25 | T8 | 1250 | 13 00 | 160 | T12HO | 1400 | N/A |
| 2 | T8 | 13 00 | 13 50 | 215 | T12HO | 1400 | N/A |
| 40 | T8 | 13 50 | 1400 | | | | |
| 59 | T8 | 1400 | N/A | | | | |
| 86 | T8HO | 1400 | N/A | | | | |
| 20 | T12 | 700 | 800 | | | | |
| 25 | T12 | 800 | 850 | | | | |
| 0 | T12 | 900 | 975 | | | | |