

## EBLED2

### 2" LED Recessed Cans

#### STANDARD



#### APPLICATIONS

- Energy saving LED can and module for new construction as well as remodel applications.
- 75% energy savings in comparison to incandescent source

#### ILLUMINATION

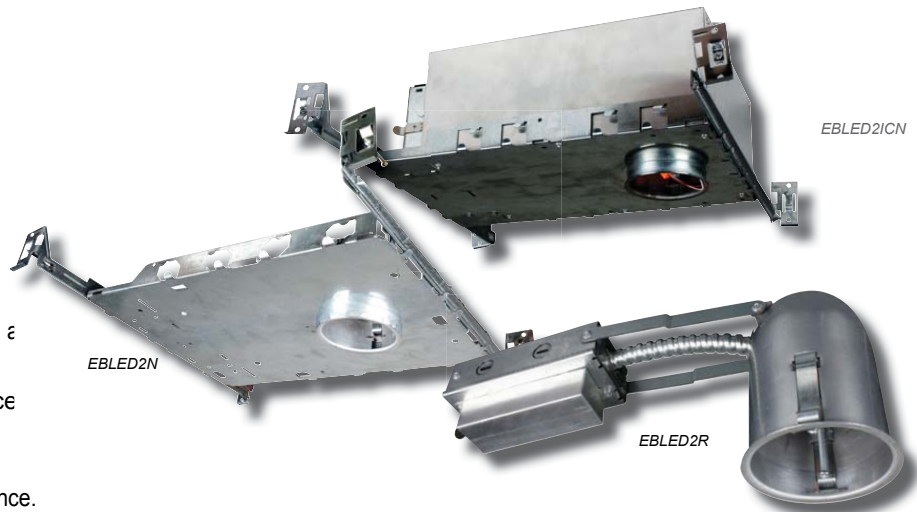
- Long Life LEDs with up to 50,000 hours at 70% lumen maintenance.
- Uses high power, high quality LEDs.
- Produces 600 lumens output from luminaire with a CCT of 3000K.
- Dimmable with most standard incandescent and low voltage dimmers.

#### ELECTRICAL

- LED driver with 120V input voltage.
- CRI >90.
- Power consumption: 9 watts.

#### MOUNTING

- Integral T-bar installation slots on new construction models.
- Two clips provided to secure can to housing on remodel cans.
- Bar hangers on new construction models are adjustable from 13 5/8" to 25" and can be repositioned 90° on plaster frame.
- Pre-installed real nail on new model easily installs in regular and engineered lumber.



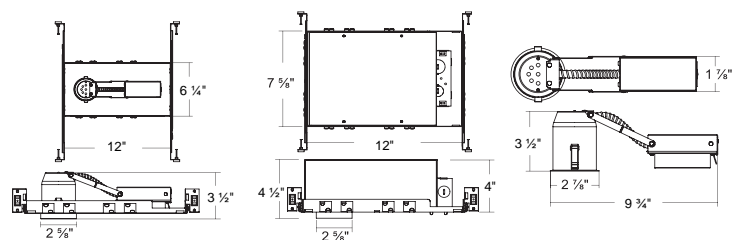
#### HOUSING

- Galvanized steel construction.
- Selective models for use with insulated and non-insulated ceilings.
- BLED2ICN requires access above ceiling.

#### WARRANTY/LISTING

- Tested in accordance with IESNA LM79 & LM80.
- cULus Listed for damp and wet locations (not suitable for coastal/salt water area).
- Energy Star qualified.
- Operating temperatures of -30°C to 40°C.
- Meets State of California Title 24 requirements.
- Five year warranty on all electronics and housing.
- Certified under ASTM-E283 for airtight construction (new construction models only).

#### DIMENSIONS



#### ORDERING INFORMATION

##### MODEL

MODEL	DESCRIPTION
EBLED2N-AT-QN	2" Non-IC LED new construction can with driver
EBLED2ICN-AT-QN	2" IC AT LED new construction can with driver
EBLED2R-Q	2" Non-IC LED remodel can with driver