

EHLEX Series

Hazardous Location LED Edge Lit Exit Light

FEATURES

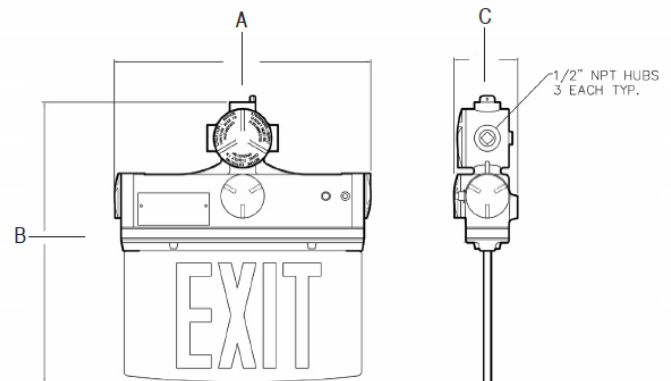
EHLEX series fixture uses a maintenance free LED light source with a 25 year life expectancy. Emergency fixtures meet or exceed NFPA70, NFPA101, EPA Energy Star and OSHA requirements. These fixtures are also suitable for installation in wet or damp locations where salt water spray is possible.

- Copper-free cast aluminum housing with baked-on epoxy powder finish 1/2" NPT conduit hubs
- Exit Signs with Red or Green Legends, Euro exit and other custom legends available. White or other color LED circuit boards and panels available
- 3 hours emergency operation standard with NiCad battery backup
- Maintenance free LED light source with 25+ years life expectancy
- Fully integrated electronic circuit board and components
- Acrylic edge lit single face or double face panel
- Exit Signs with Red or Green Legends, Euro exit and other custom legends available. White or other color LED circuit boards and panels available.
- Available inwall/pendant or end mount configurations
- Operating Temperature Range
- Temperature Rating- T6

- Red Legend
 - +10° C Minimum to +55° C Maximum
- Green Legend
 - +10° C Minimum to +40° C Maximum
- Maximum Input Power Operating Temperature Range
 - Red no battery- 1.5 Watts
 - Red with battery- 2.5 Watts
 - Green no battery- 2.3 Watts
 - Green with battery- 3 Watts



DIMENSIONS



9 < @ L'G9F-9G'	8 ja Ybgjcbg'fjbW Ygt			6 cl YX K YJ[\ h	G [dd]b['Jc' i a YA fb cl YX:]i fi fYgt
	5'	6'	7'		
OP SOY ASOOA OcaUA) A	FI Èi Á	FI È€	HÈ JÁ	FI Áà• ÈÁ	FÈi Á& ÈÁÈ

WARRANTY & LISTINGS

- Class I, Division 2, Groups A, B, C & D
- Class II, Division 2, Groups F & G
- Class III
- UL 1598A Marine Outside Type
- Temperature Class (T-Rating)-T6
- Patent No. 7,287,347
- IP65
- ETL Listed

ORDERING INFORMATION: EHLEX Faces: Legend Color: Voltage/Frequency: Mounting: Options:

MODEL	FACES	LEGEND COLOR	VOLTAGE/FREQUENCY	MOUNTING	OPTIONS ¹
EHLEX	1 = Single Face 2 = Double Face	R = Red G = Green	DT = 120/277V 60 HZ 24 = 220-240V 50/60 HZ Other voltages available-consult factory.	WP = Wall/Pendant Mounting EB = End Bracket	EM = Emergency Battery Backup EU = Green Running Man Exit Legend SD = Self Diagnostics X = Exit Legend in Other Languages Language Must be Specified 1Consult for pricing

08.2019