

Job Name: \_\_\_\_\_

Type: \_\_\_\_\_

Part #: \_\_\_\_\_

Notes: \_\_\_\_\_

## EFL148

### LYNX

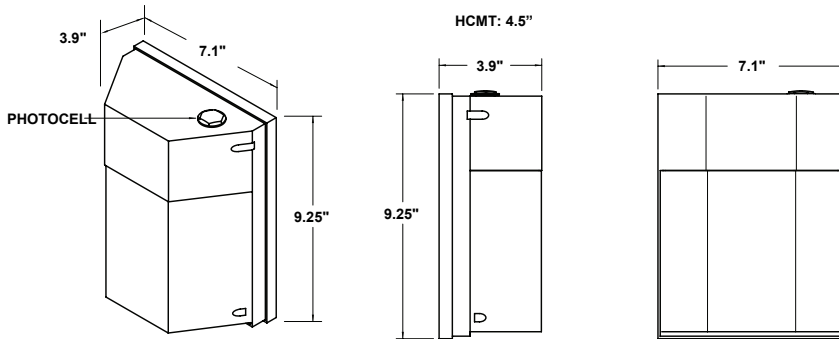


#### FEATURES:

- Available in Dedicated LED
- Polycarbonate Body & Diffuser with Cast Aluminum Base
- Photocell Included
- Enclosed & Gasketed
- ETL Listed for Wet Locations (IP65) Standard Pack QTY: 1



#### DIMENSIONS:



#### ORDERING INFORMATION:

MODEL	LIGHT SOURCE	BODY	DIFFUSER	OPTIONS
EFL148		Z-Bronze		M-Motion Sensor
	EOS LED 120V AC, 50/60 Hz, HPF, 50,000 HRS L70*, AMBIENT OP TEMP -40°C TO +40°C, 5 YEAR WARRANTY, DIMMABLE, ENERGY STAR  LE800-13W, 80 CRI  >98 Lumens Per Watt**		POLYCARBONATE F- Glare Free Frost	(not Energy Star qualified) Photocell Included Standard
	C-1280lm 4000K			